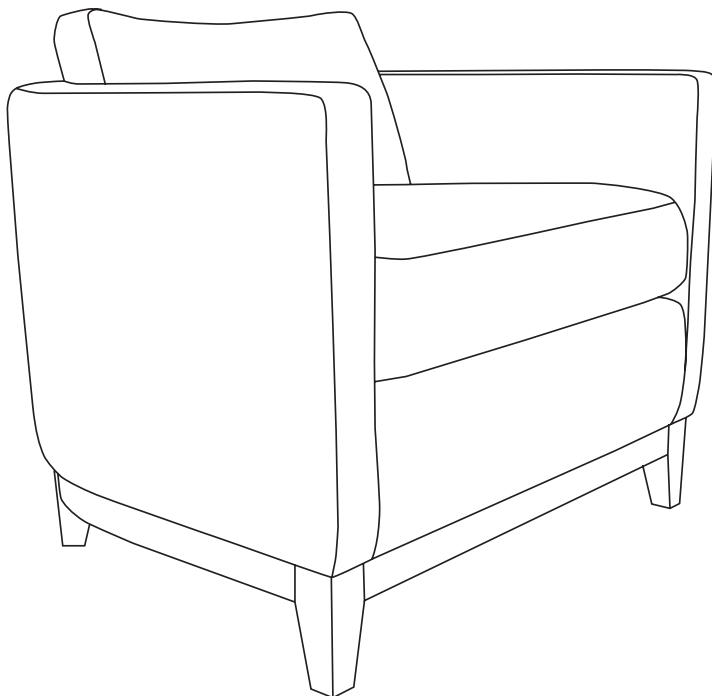


west elm

round back club chair w/nailheads

assembly instructions



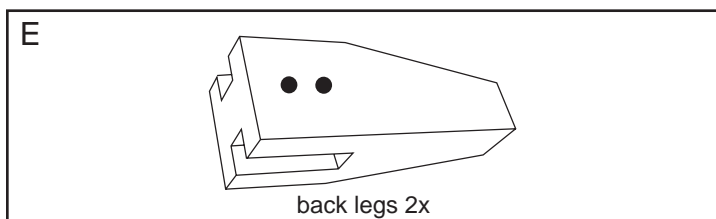
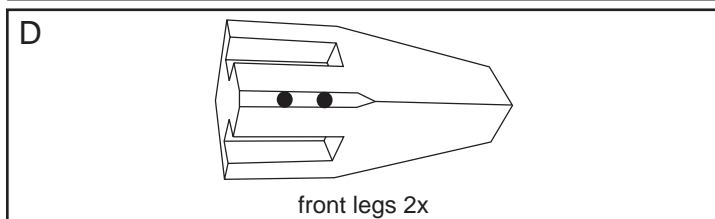
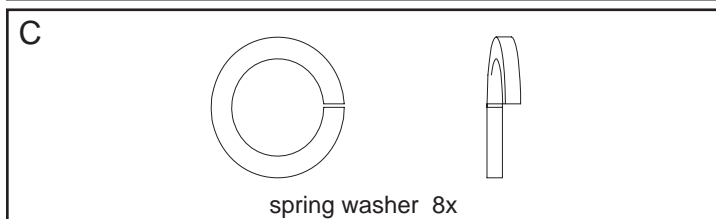
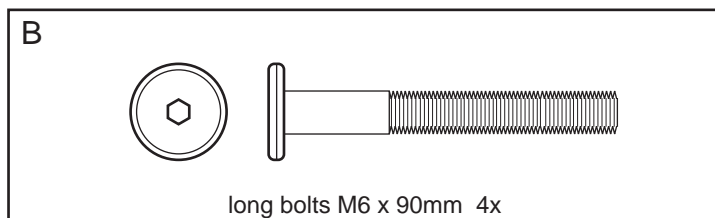
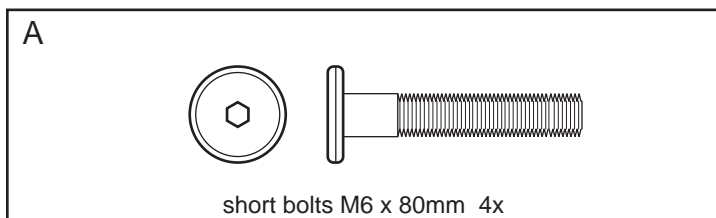
! Tools supplied:

! Do not throw away packaging materials until assembly is complete.

! Assemble this item on a soft surface, such as cardboard or carpet, to protect finish.

! Proper assembly of this item requires 2 people.

## Hardware

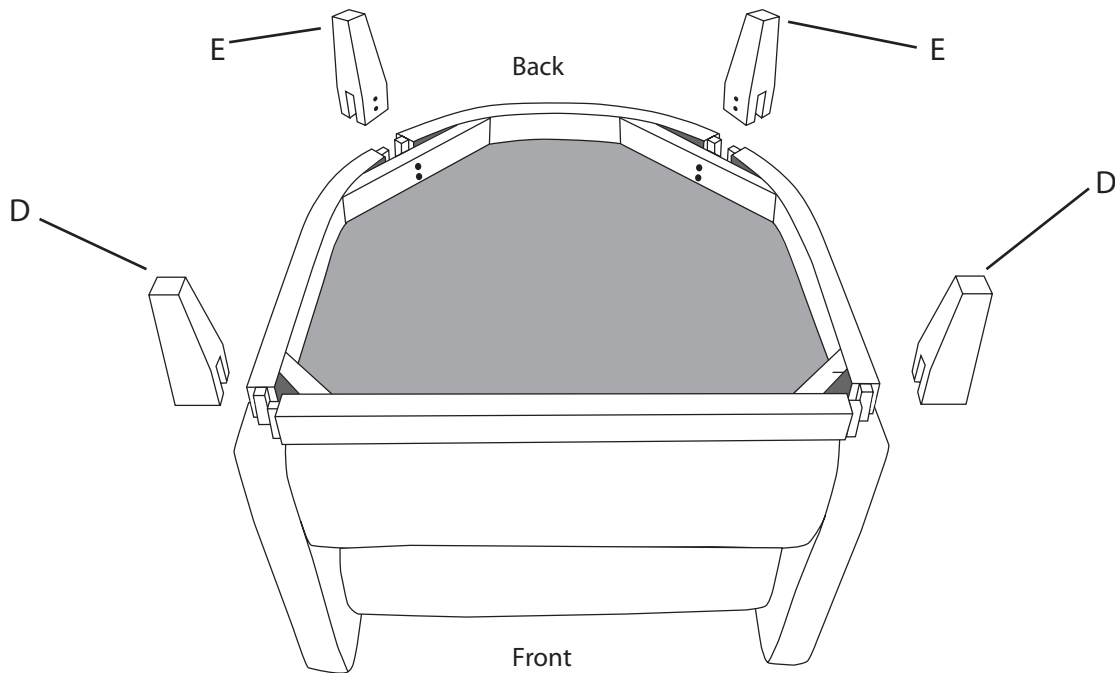


west elm

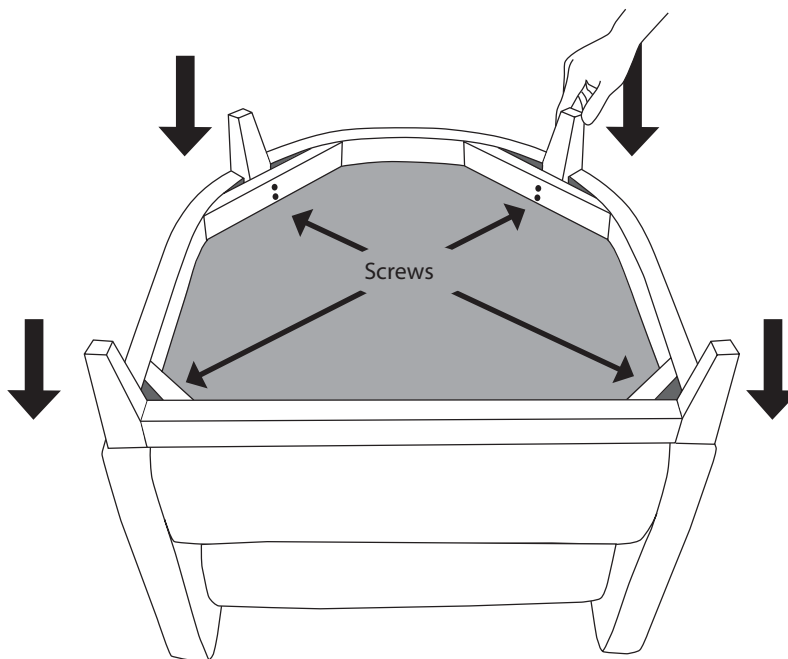
# round back club chair w/nailheads

assembly instructions

1. Align the front legs with the front of the chair and slide them down into place. Repeat this step for the back legs.



2. Insert (2) 80mm short bolts (A), (2) Spring Washers (C) into each back leg. Insert (2) 90mm long bolts (B), (2) Spring Washers (C) into each front leg. Tighten with supplied allen key. Do Not Overtighten! Flip chair over.



## CARE INSTRUCTIONS

Hardware may loosen overtime. Periodically check that all connections are tight.

Wipe with a soft, dry cloth. To protect finish, avoid the use of chemicals and household cleaners.

Upholstery: Spot clean only.