

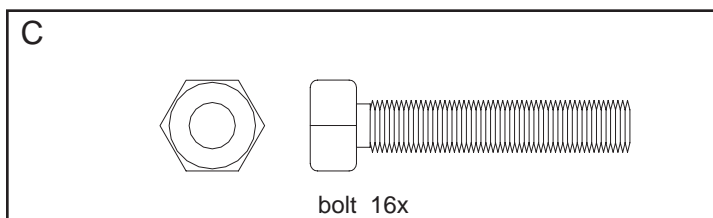
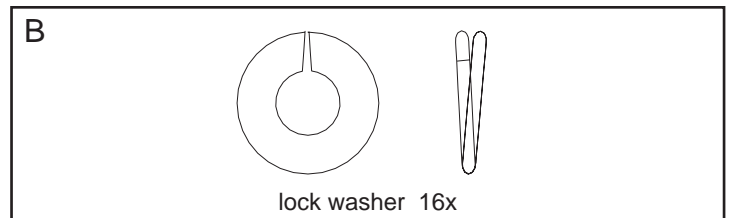
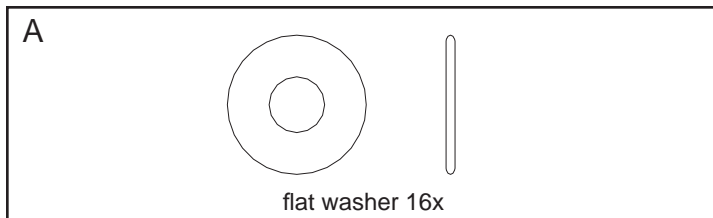
! Tools supplied:

! Do not throw away packaging materials until assembly is complete.

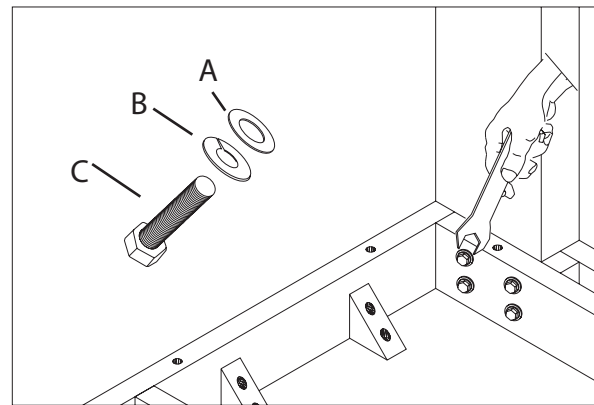
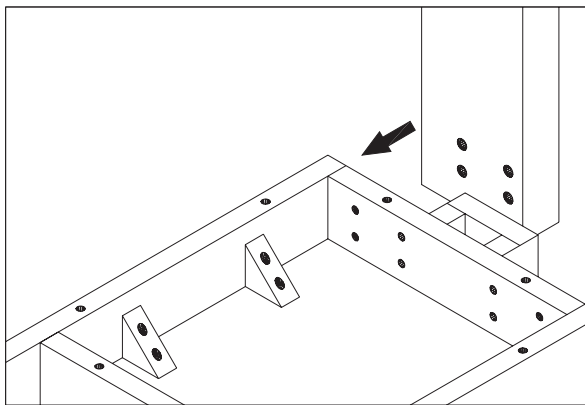
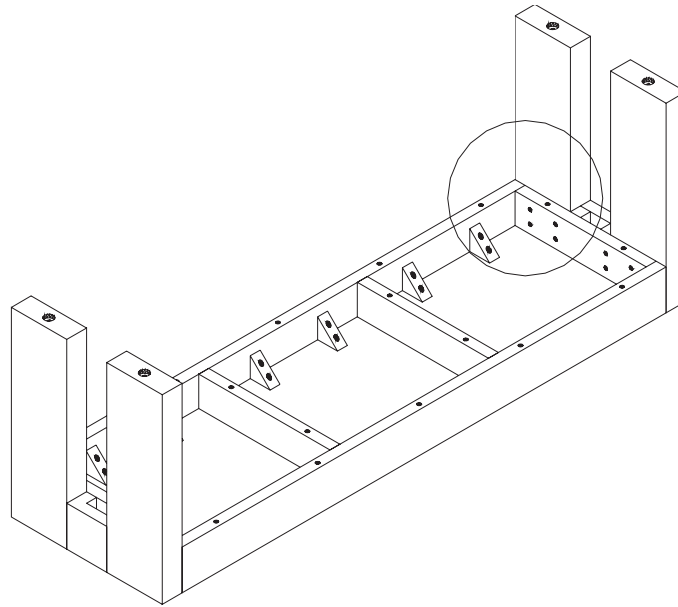
! Assemble this item on a soft surface, such as cardboard or carpet, to protect finish.

! Proper assembly of this item requires 2 people.

Hardware



1. Carefully flip bench top over and lay onto scratch-free surface such as carpet or cardboard. Align leg with holes on bench top as drawing shows. Insert bolt (C), lock washer (B), and flat washer (A) into hole and tighten with supplied wrench. Once all four legs are installed flip the bench over (This will require the help of another person). Levelers may need to be adjusted to accommodate uneven floors.



CARE INSTRUCTIONS

Hardware may loosen overtime. Periodically check that all connections are tight.

Wipe with a soft, dry cloth. To protect finish, avoid the use of chemicals and household cleaners.