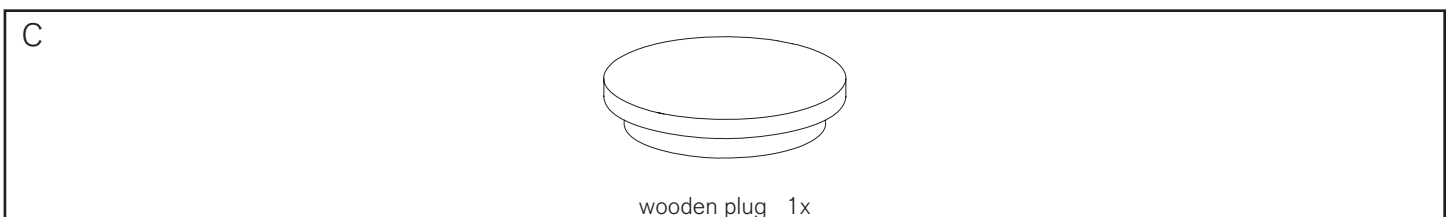
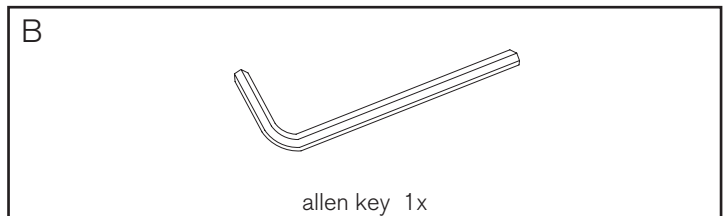
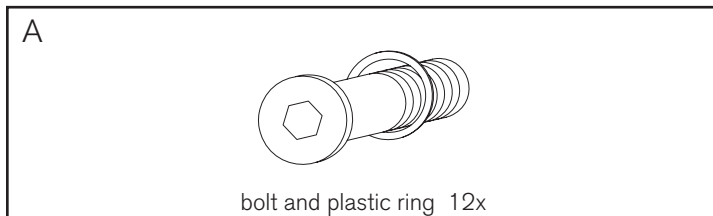


! Tools required: 

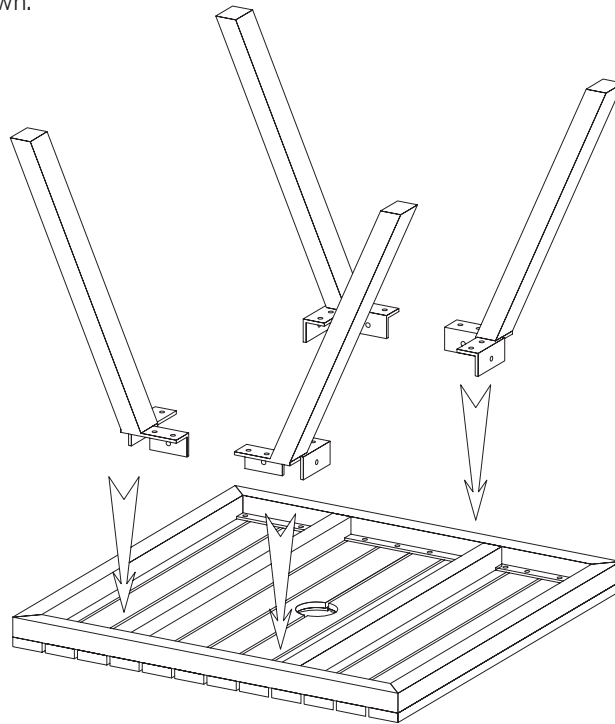
! Do not throw away packaging materials until assembly is complete.

! Assemble this item on a soft surface, such as cardboard or carpet, to protect finish.

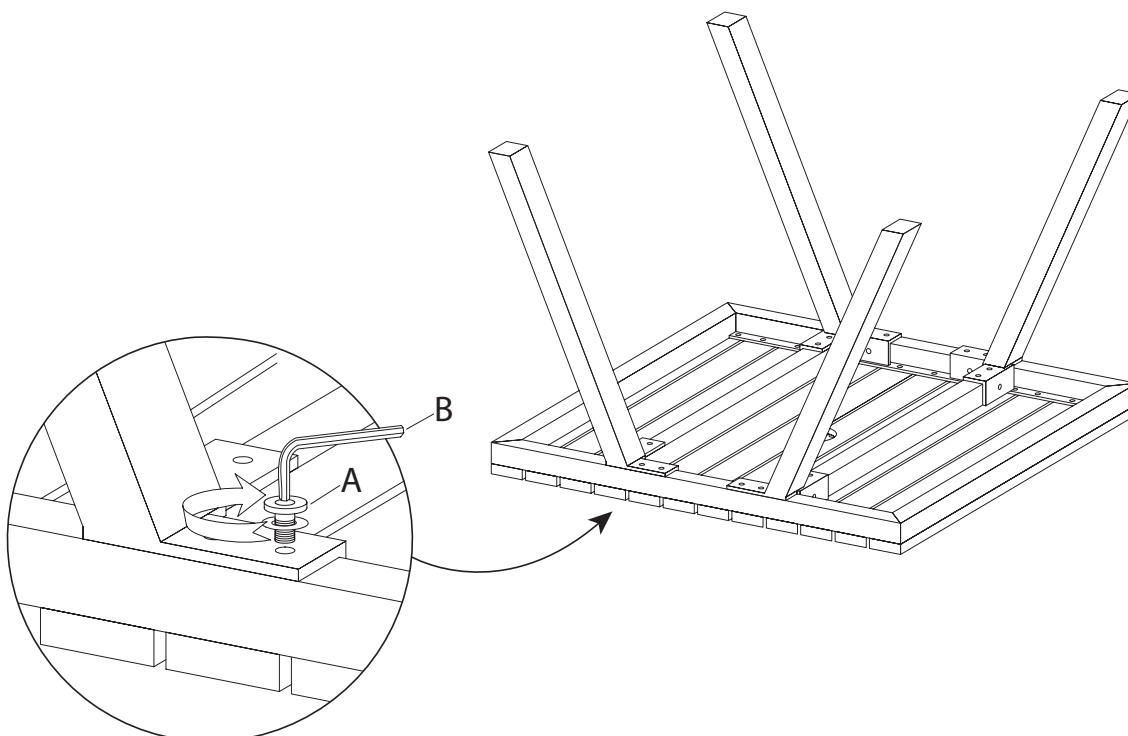
! Proper assembly of this item requires 2 people.



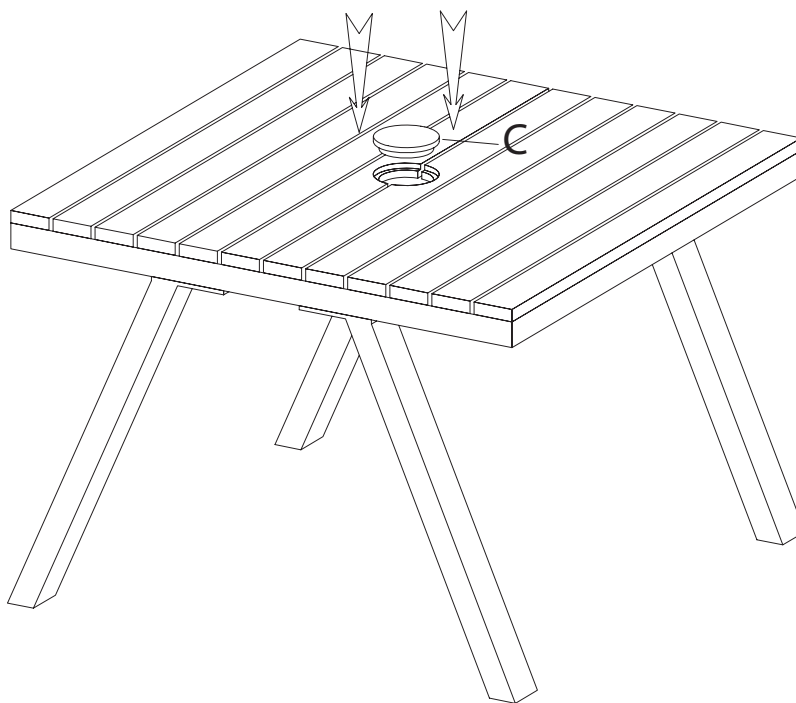
1. Set legs into table frame as shown.



2. Fasten legs to frame using bolts (A) as shown. Put all 16 bolts in loosely before tightening with allen key (B).



3. Insert wooden plug (C) as needed.



#### CARE INSTRUCTIONS

Hardware may loosen over time. Periodically check that all connections are tight.

#### Teak Care:

Teak is naturally resistant to the elements and can be left outside untouched and untreated for many years. Over time, the original color will weather and soften to a silver-grey patina.

To remove the silver-grey appearance and natural day-to-day dirt, wash with warm soapy water using a stiff scrubbing brush. Follow this by using a fine sandpaper to smooth any raised grain.