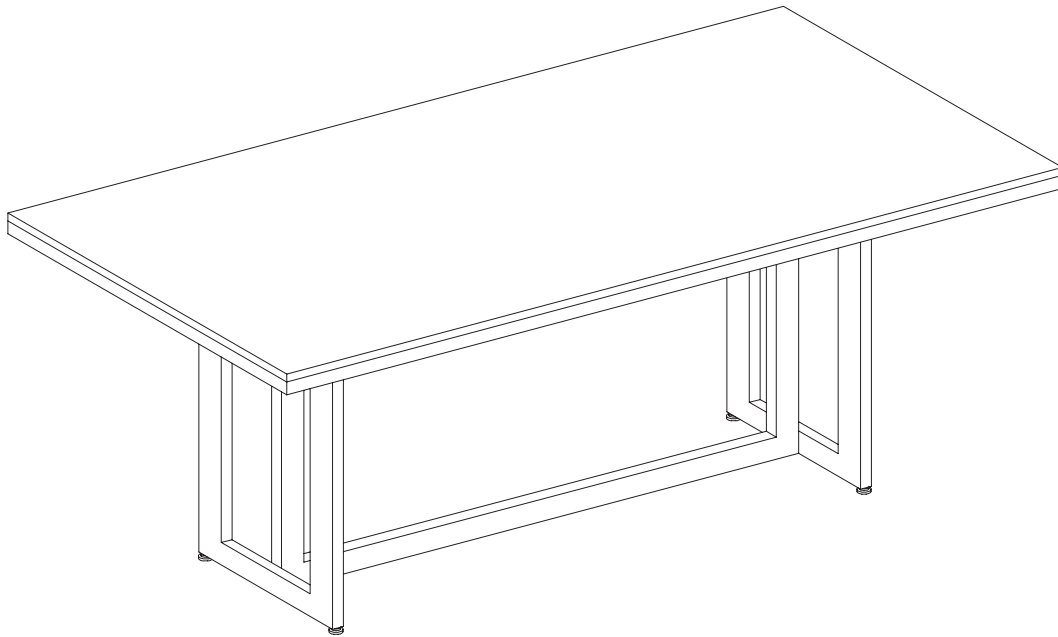


west elm

hicks dining table 80" with wood

assembly instructions



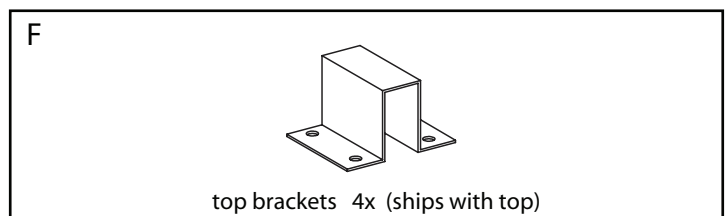
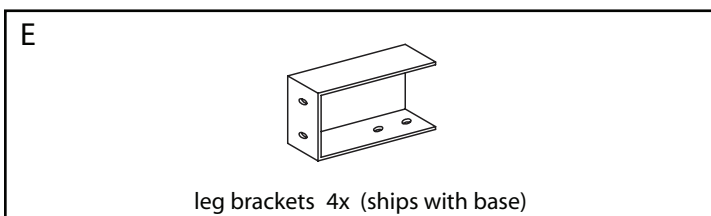
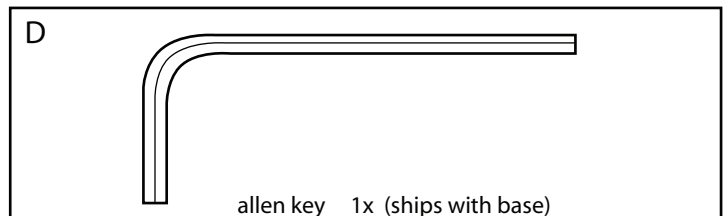
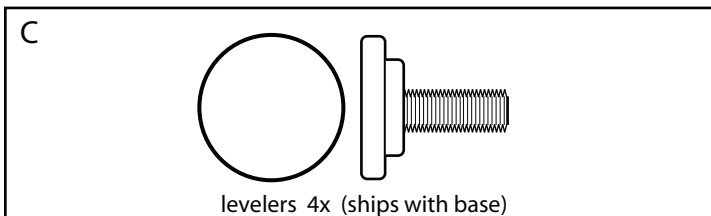
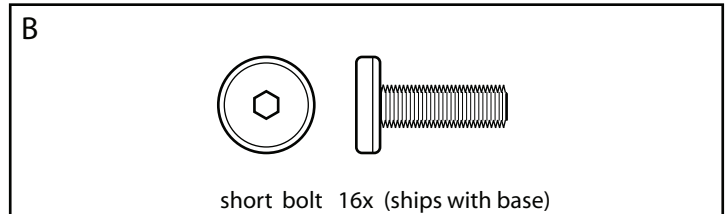
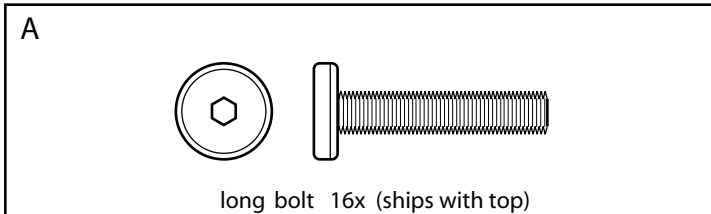
! This item ships in two boxes for top and bottom.

! Do not throw away packaging materials until assembly is complete.

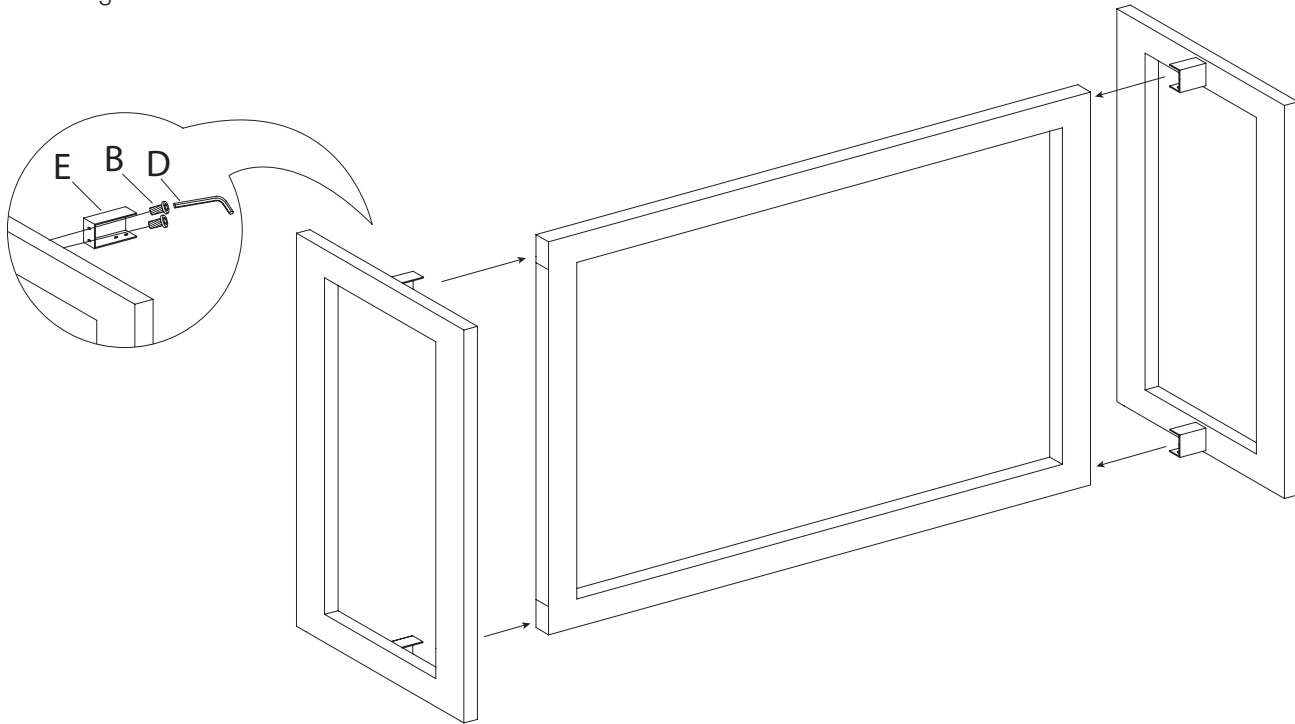
! Assemble this item on a soft surface, such as cardboard or carpet, to protect finish.

! Proper assembly of this item requires 2 people.

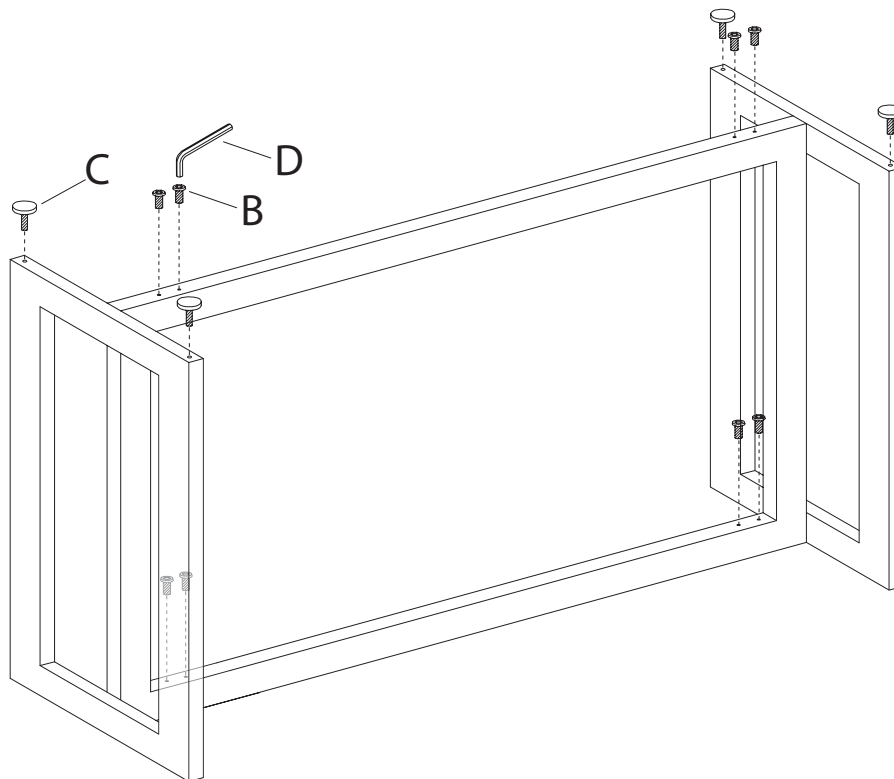
! The base will ship with rubber bumpers that are not necessary for the wood top table and may be discarded.



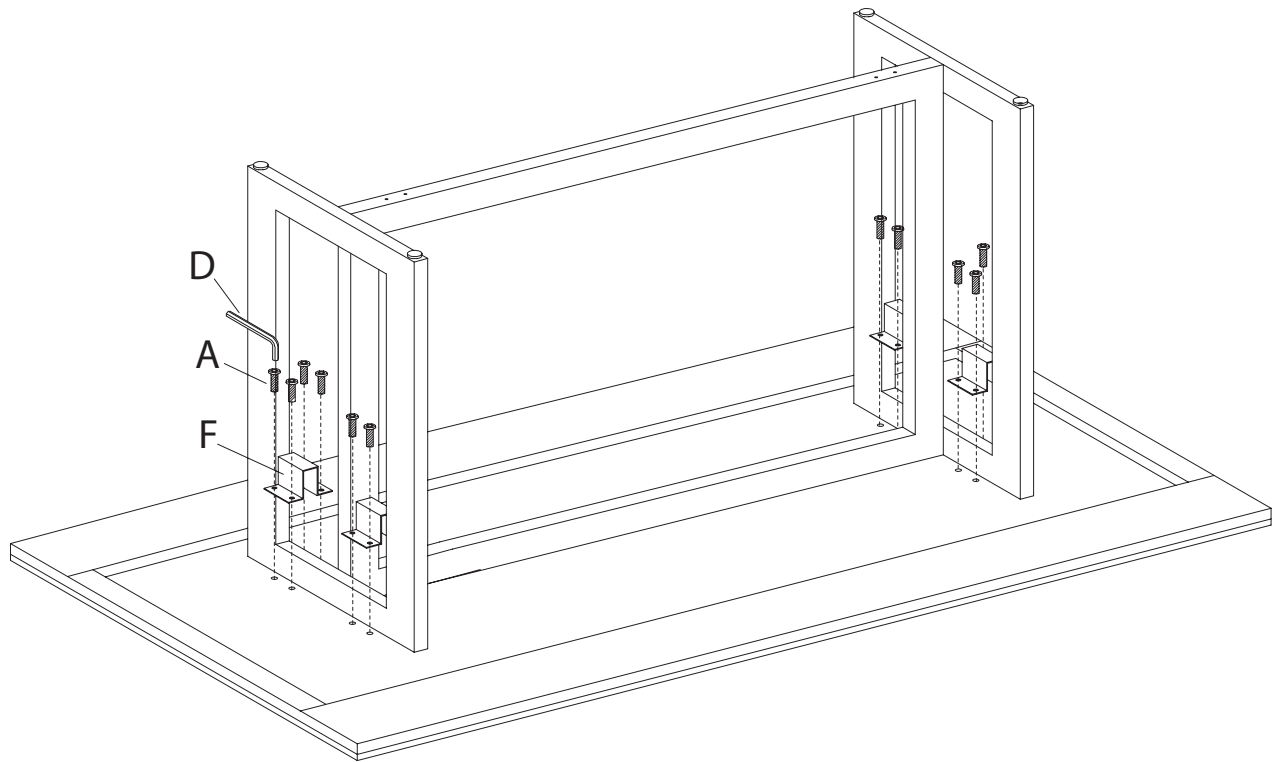
1. Fasten leg brackets (E) to legs using short bolts (B). Tighten bolt using allen key (D).
2. Insert legs into center.



3. Connect legs to center using short bolts (B) as shown. Tighten bolts using allen key (D).
4. Turn levelers (C) into base.



5. Fasten base to top using top brackets (F) and long bolts (A) as shown. Tighten bolts using allen key (D).



CARE INSTRUCTIONS

Hardware may loosen over time. Periodically check that all connections are tight.

Wipe with a soft, dry cloth. To protect finish, avoid the use of chemicals and household cleaners.