

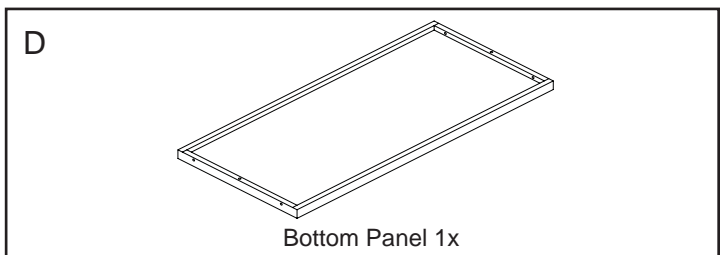
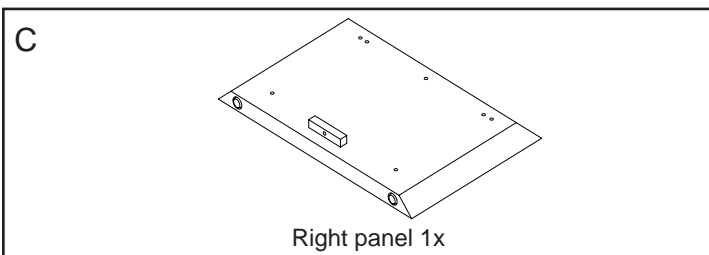
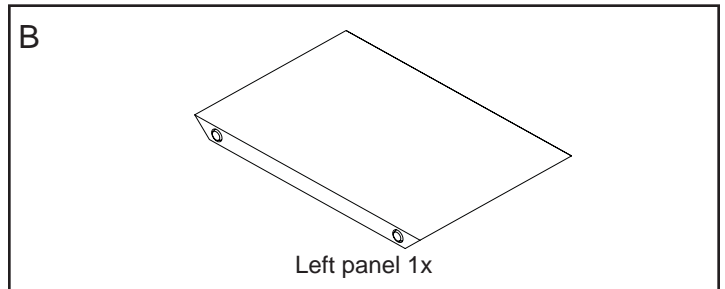
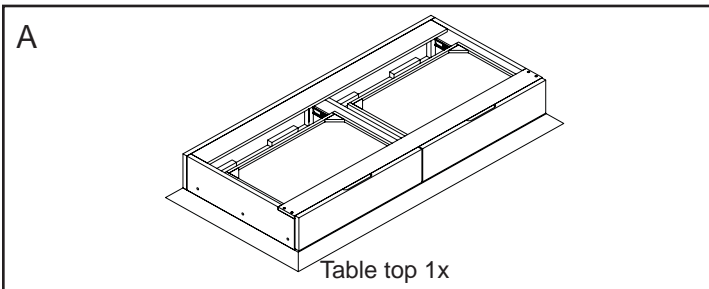
! Tools supplied:

! Do not throw away packaging materials until assembly is complete.

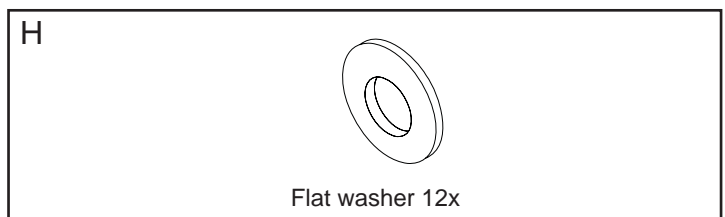
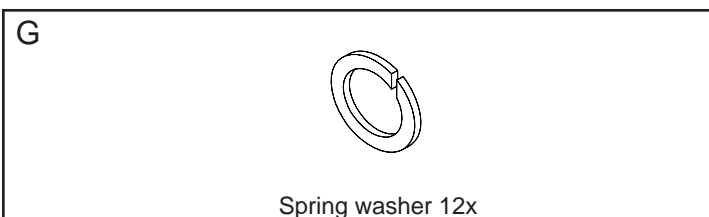
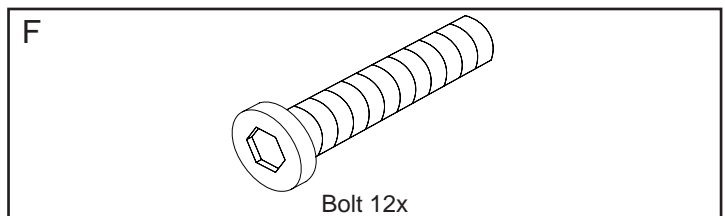
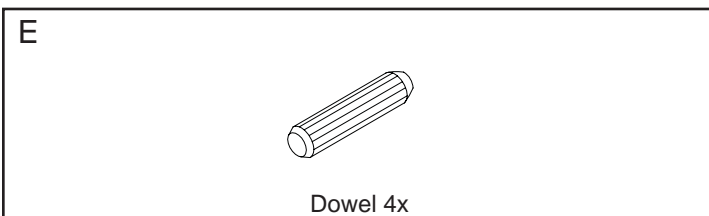
! Assemble this item on a soft surface, such as cardboard or carpet, to protect finish.

! Proper assembly of this item requires 2 people.

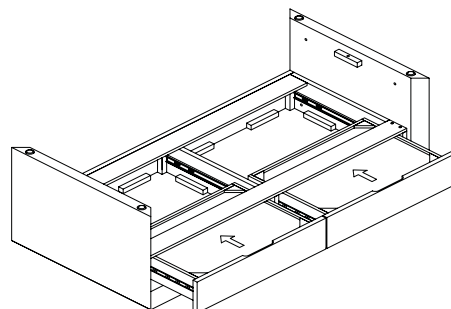
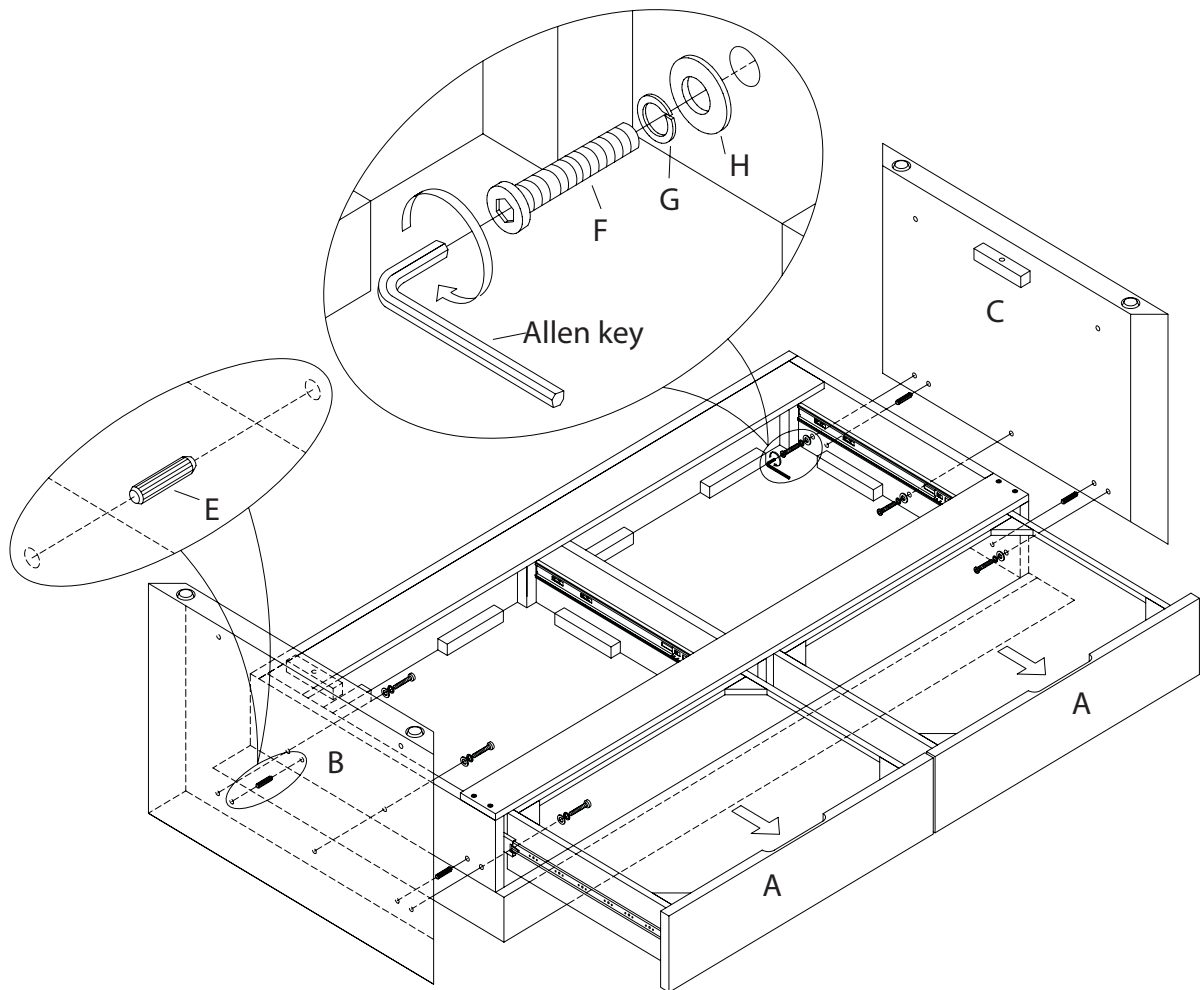
### Parts



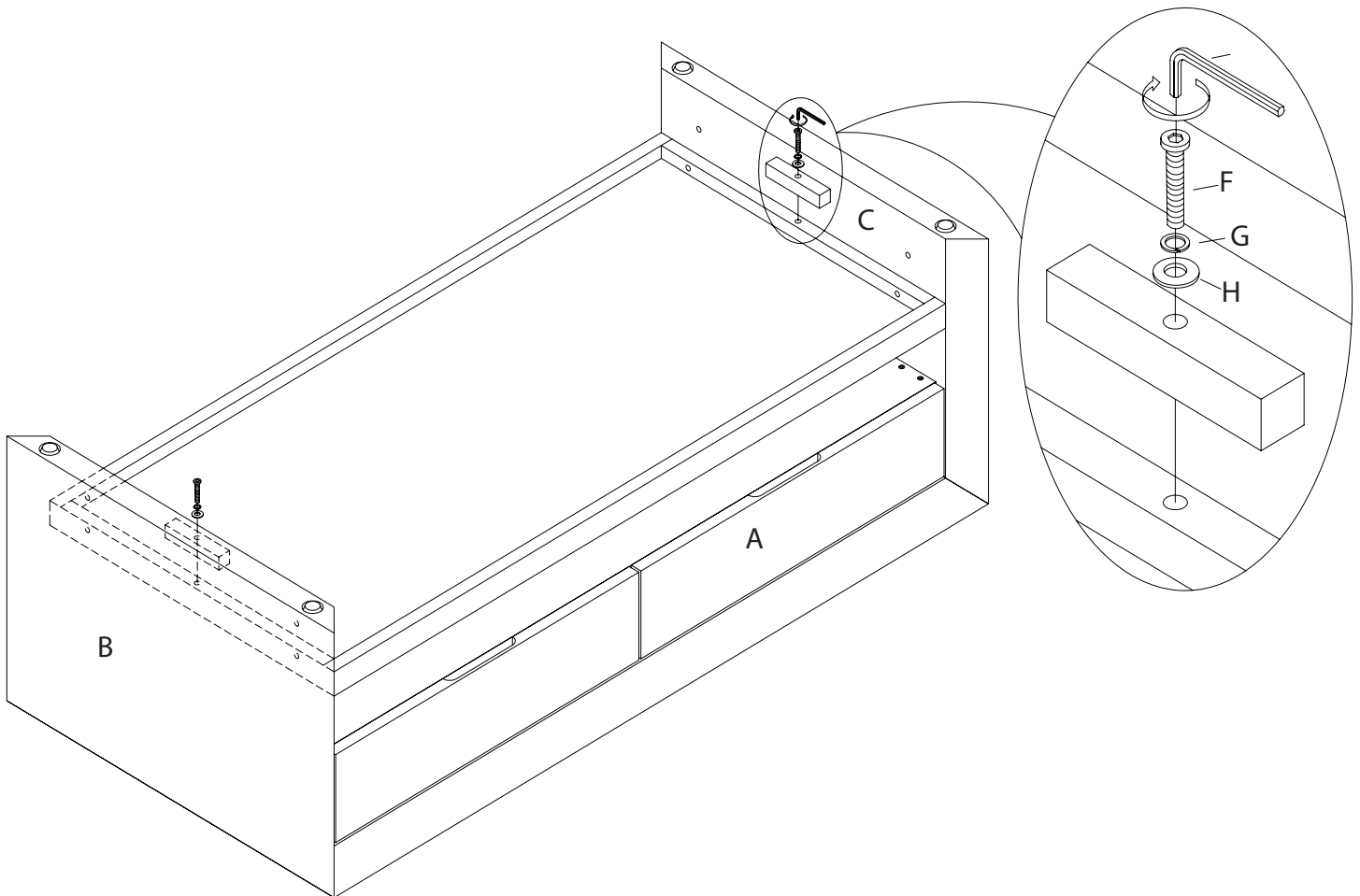
### Hardware



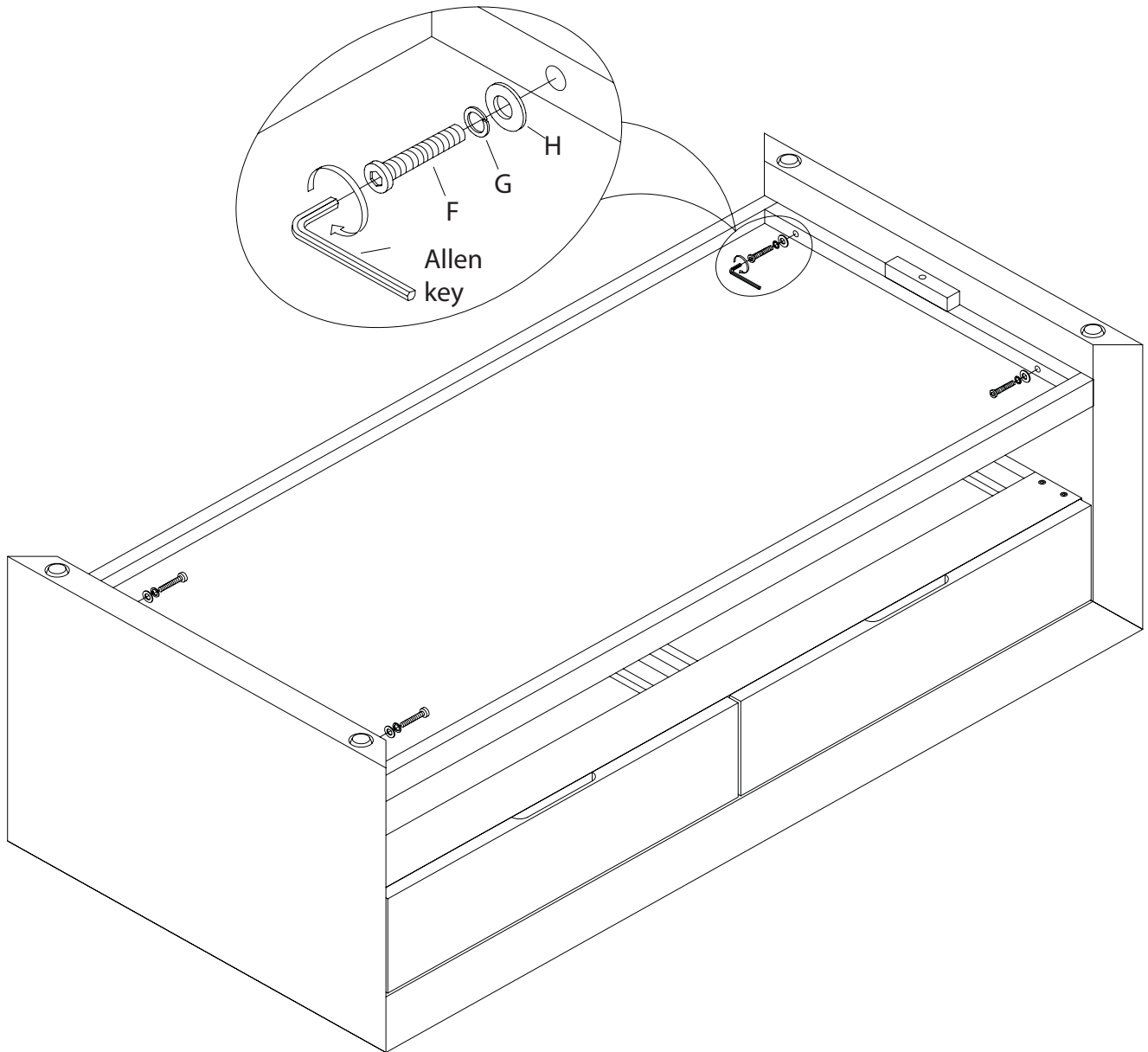
1. Place the table top face down on a soft surface. Fully open the drawers (A). Insert 4 dowels (E) into the holes in the table top sides as the drawing shows. Align the left panel (B) to the table top as shown. Insert bolts (F) through spring washers (G), & flat washers (H). Locate the 3 holes on each side of the inside of the table top and insert 1 bolt assembly into each hole through into the left panel (B). Tighten with the supplied allen key. Repeat for the right panel (C). Close drawer.



2. Insert bottom panel (D) between left and right panel. Slide bottom panel to the cleats that are attached to the left panel (B) and right panel (C). Align holes and insert bolt assembly: bolt (F), spring washer (G), & flat washer (H). Tighten with supplied allen key. Do not overtighten.



3. Insert bolt assembly: bolt (F), spring washer (G), & flat washer (H) through the 4 holes in the bottom of the bottom panel (D) into the left and right panels. Tighten with the supplied allen key. Flip side table over.



#### CARE INSTRUCTIONS

Hardware may loosen overtime. Periodically check that all connections are tight.

Wipe with a soft, dry cloth. To protect finish, avoid the use of chemicals and household cleaners.