

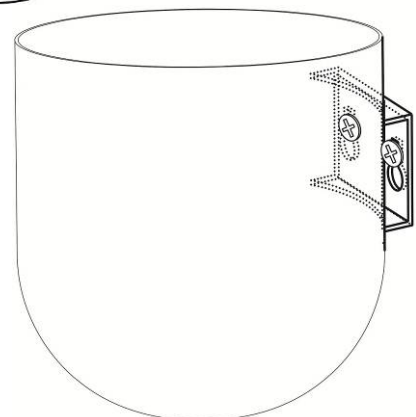
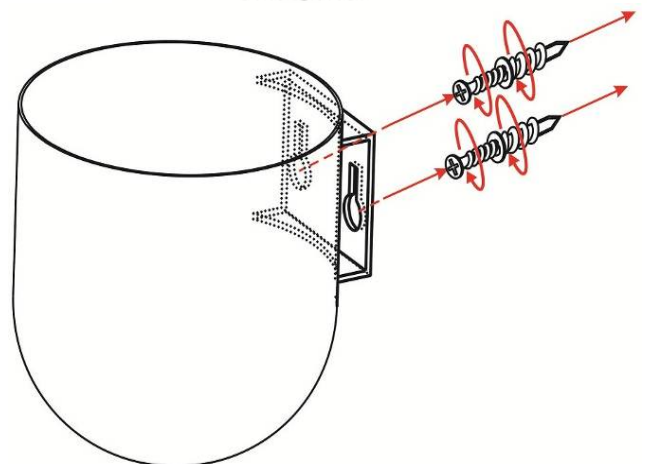
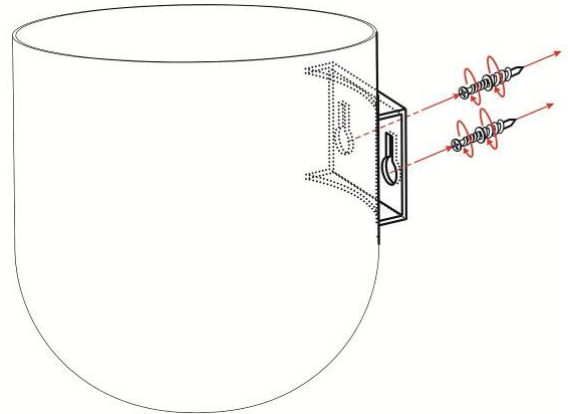
**Tools:** Pencil, Phillips Screwdriver,  
Stud-Finder, Level

**Hardware:** TWO Anchors  
TWO Screws

The hardware included with this item is meant for drywall or stud mounting only. If your walls are made from concrete, brick or plaster, please consult your local hardware store for assistance in selecting the appropriate hardware.

### Mounting Instructions:

- 1) With the help of another person, hold the item against a wall at a desired mounting location so that the rear of the item faces towards you. Since the keyholes are not align in position so rotate the item such that the two keyholes appear level and then use a pencil to mark the wall immediately adjacent to the two keyhole brackets. Set the item aside.
- 2) Connect the marks of Step (1) using a straightedge and a pencil. Use a level to confirm that the line is level and adjust the line, as required. These marks are the locations for the hanging hardware.
- 3) Unfortunately, the provided anchors cannot penetrate wood. Therefore we have to determine if either mark of Step (2) happens to align with a wood stud (use a stud-finder to determine this). If either mark does, use a screwdriver to secure a screw at that mark. Rotate the screw clockwise until the screw head resides about 3/8 inch from the wall. Do not use an anchor at any stud-aligned mark.
- 4) For marks that do not align with a stud, use a Phillips screwdriver to install an anchor into the wall. To do this, position the tip of the anchor against the wall at the mark and then firmly push the anchor into the wall as you rotate the anchor clockwise. The anchor is designed to drive itself into the wall as it is rotated. Continue rotating the anchor until its wide end becomes even with the wall.
- 5) Use the screwdriver to secure a screw into each installed anchor of Step (4). Rotate the screw clockwise until the screw head resides about 3/8 inch from the wall.
- 6) Position the item against the wall so that the keyhole cutouts receive the protruding screw heads. Lower the item to engage the item to the wall.



**Care Instructions:** To clean: wipe with a soft, dry cloth. Do not use abrasive or strong chemical household cleaners. Do not spray the cleaner directly onto the frame surfaces.