


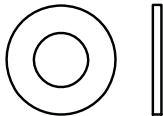


! Tools Required:

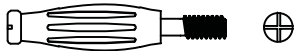
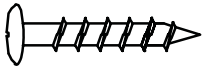

! Do not throw away packaging materials until assembly is complete.

! Assemble this item on a soft surface, such as: cardboard or carpet to protect finish.

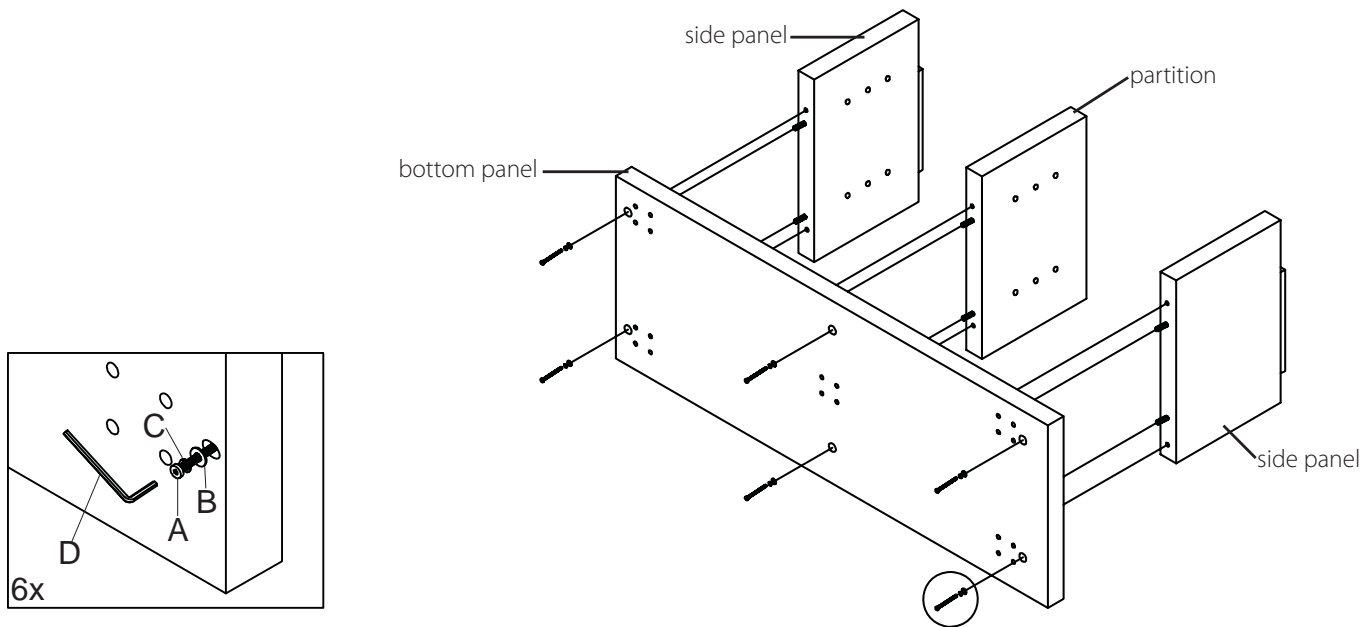
! Proper assembly of this item requires 2 people.

### Parts

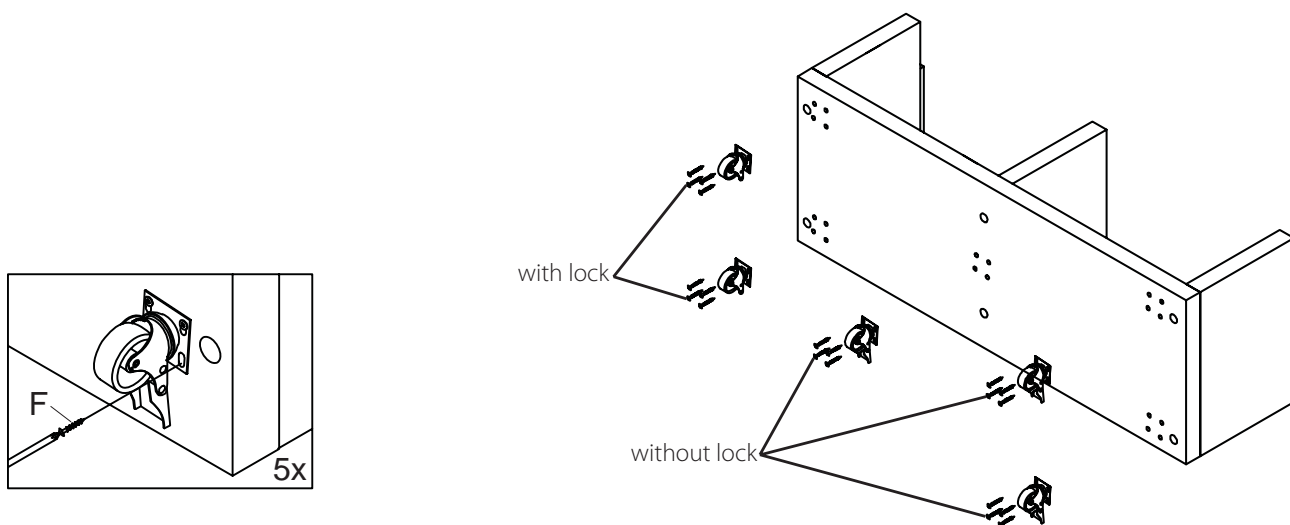
<p><b>A</b></p>  <p>bolt 5/16" dia. x 3" 6x</p>
<p><b>B</b></p>  <p>metal washer 6x</p>
<p><b>C</b></p>  <p>lock washer 6x</p>
<p><b>D</b></p>  <p>allen key 1x</p>

<p><b>E</b></p>  <p>snap-lock 5x</p>
<p><b>F</b></p>  <p>screw 5/16" dia. x 1" 16x</p>
<p><b>G</b></p>  <p>magic wire 4x</p>

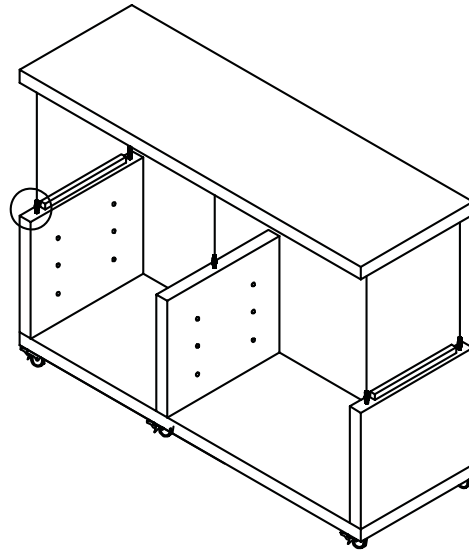
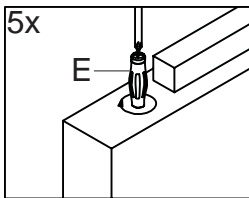
1. Attach the bottom panel to the side panels and the partitions with bolts (A), metal washers (B), and lock washers (C). Tighten with allen key (D).



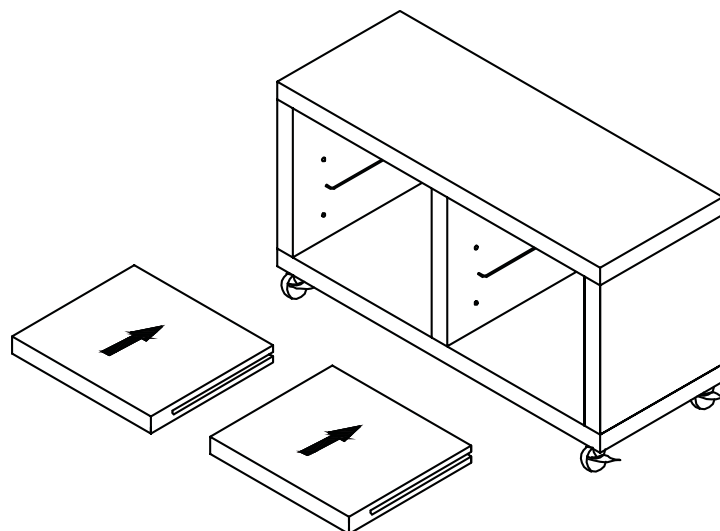
2. Attach the casters to the bottom panel with screws (F). Tighten with a phillips head screwdriver.



3. Rotate the storage unit to its upright position. Using a phillips head screwdriver, screw snap-locks(E) into the holes on the top of the side panels. Align the holes on the top panel with the snap-locks on the top of the side panels. Firmly press down until top panel snaps into place.



4. Insert magic wire (G) into the holes of the side panel and the partition. Then place the shelves into the cabinet aligning the grooves on each end of the shelves with the magic wire.



#### CARE INSTRUCTIONS

Hardware may loosen over time. Periodically check that all connections are tight.

Wipe with a soft, dry cloth. To protect finish, avoid the use of chemicals and household cleaners.