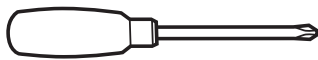


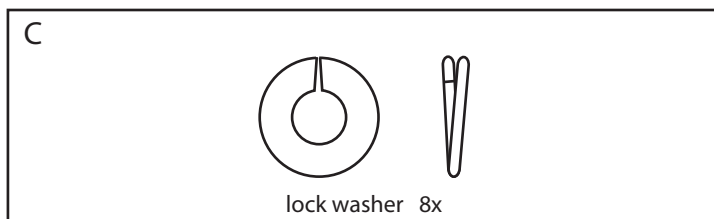
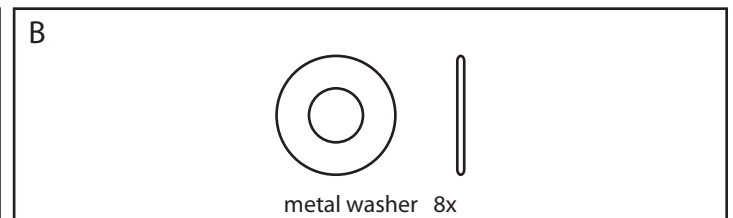
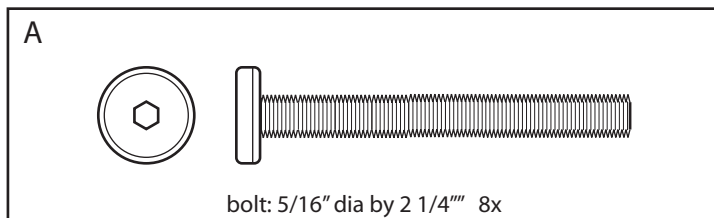
! Tools Needed :



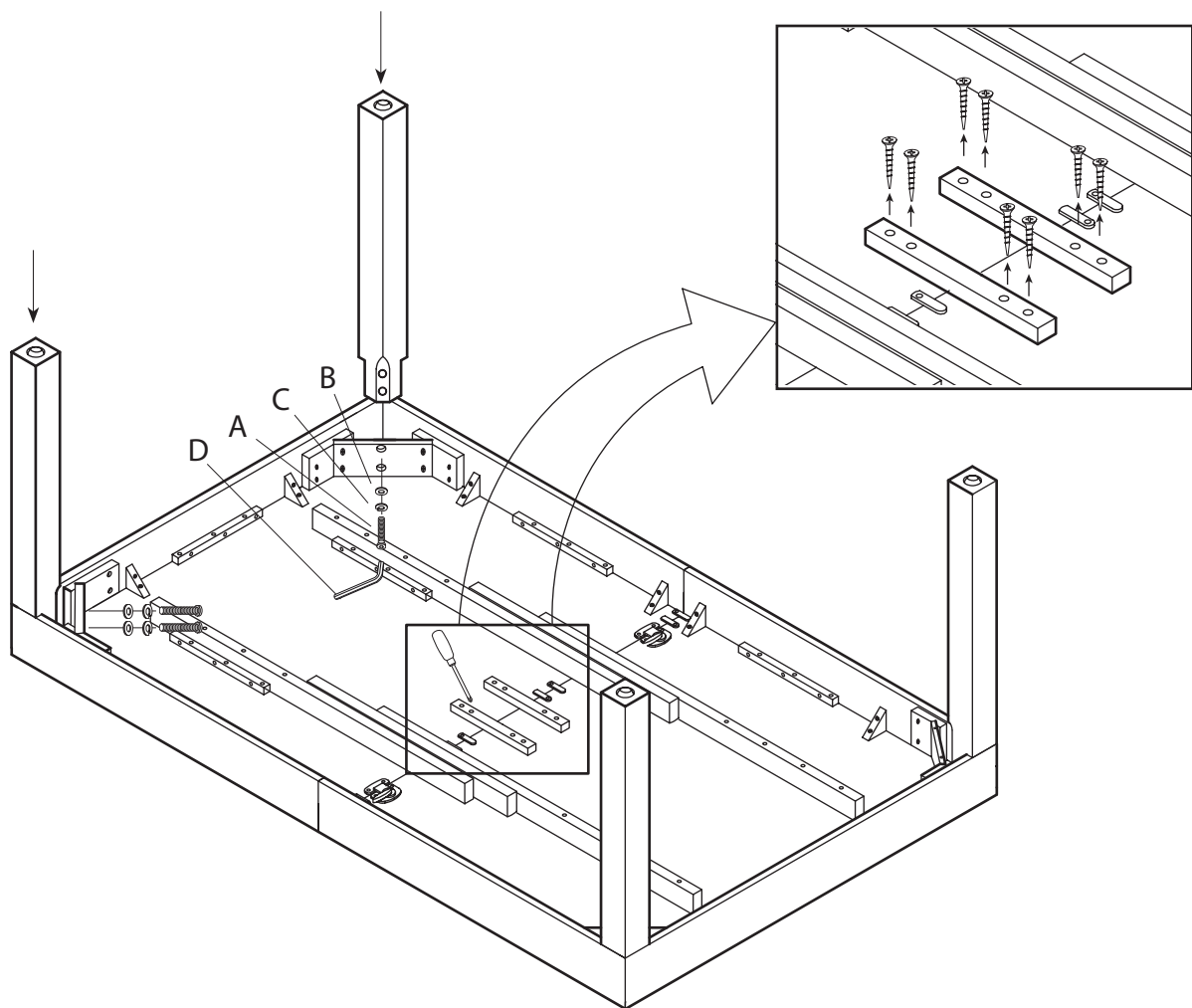
! Do not throw away packaging materials until assembly is complete.

! Assemble this item on a soft surface, such as cardboard or carpet, to protect finish.

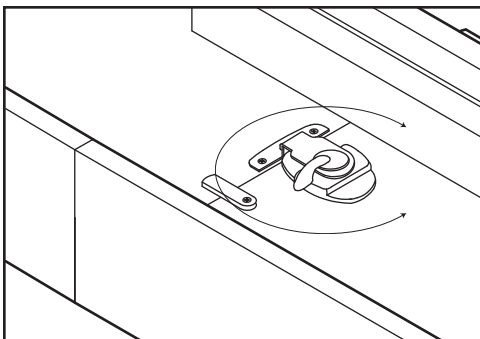
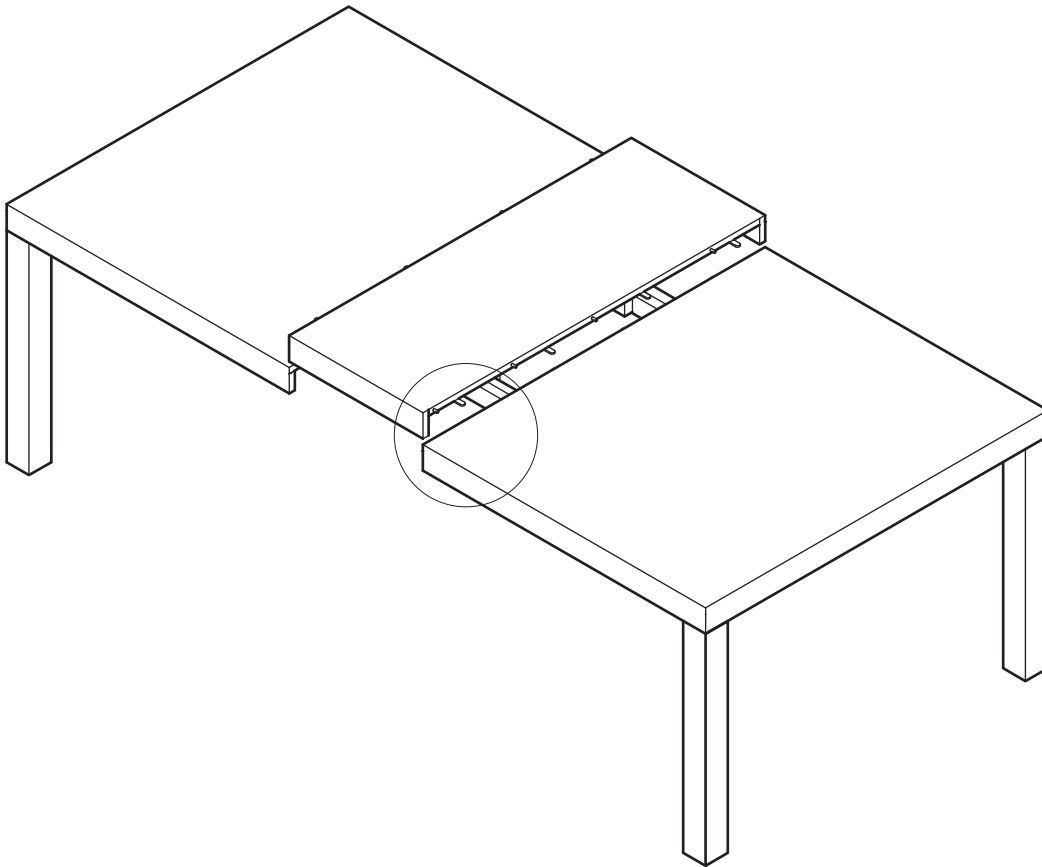
! Proper assembly of this item requires 2 people.



1. Remove and discard temporary plywood strips with philips screwdriver as shown.
2. Align and insert legs at table top corners.
3. Insert bolt (A) with lock washer (C) and metal washer (B) through predrilled hole in corner brackets of table top and into predrilled hole in leg as shown. Tighten with allen key (D).



4. [OPTIONAL] To use table leaf, release locking mechanisms on underside of table top. Pull table top apart. Set leaf into place, taking care to align wood dowels in edge of leaf with predrilled holes in edge of table top. Push table top back together. Secure locking mechanisms on underside of table top.

**CARE INSTRUCTION**

Hardware may loosen over time. Periodically check that all connections are tight.

Wipe with a soft, dry cloth. To protect finish, avoid the use of chemicals and household cleaners.