

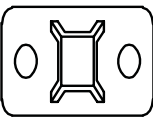




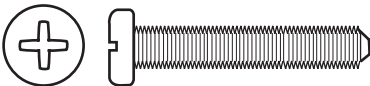
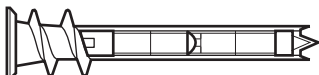
! Tools required: 

! Do not throw away packaging materials until assembly is complete.

! Assemble this item on a soft surface, such as cardboard or carpet, to protect finish.

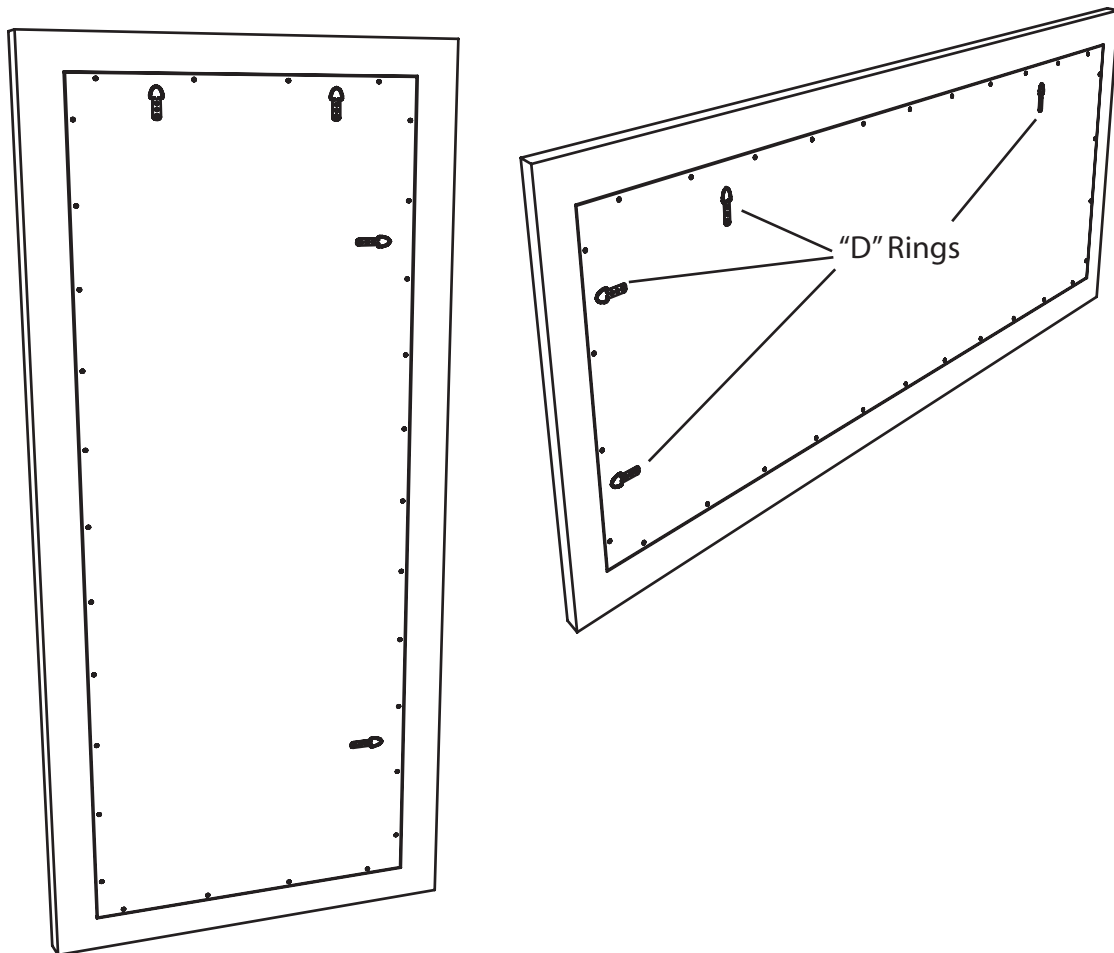
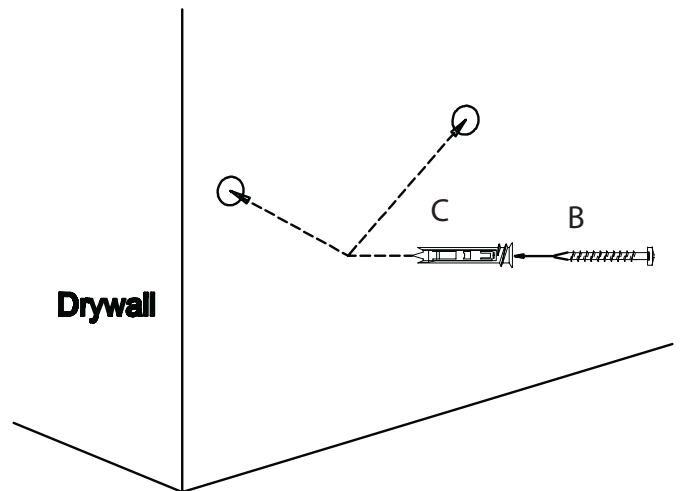
! Proper assembly of this item requires 2 people.

Parts:

<p>A</p>  <p>Mounting Plate 2x</p>  <p>Anti Tip Kit</p>  <p>Nylon Strap 1x</p>  <p>Small Screw 3x</p>  <p>Large Screw 2x</p>	<p>B</p>  <p>Long Screw 2x</p>
<p>C</p>  <p>Drywall Toggle Anchor 2x</p>	

mounting instructions

1. Using a pencil, mark the locations on the wall where the hangers will line up. This is where the hardware will be inserted.
2. Using a Philip's head screwdriver, insert the drywall toggle anchors (A) into the wall at the insertion points. Press and turn clockwise until anchors are flush with the wall.
3. Insert screws (B) into the anchors (C), leaving approximately 1/2" between the back of the screw head and the wall.
4. Align "D" rings over the screw heads.
5. Slide the mirror down until it rests on the screws. Tighten or loosen screws as needed to fit the shelf snugly against the wall.



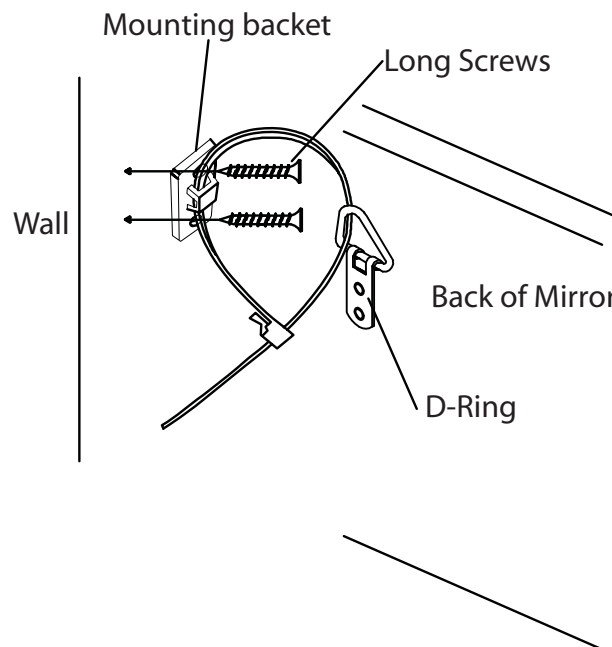
NOTICE:

mounting instructions

To prevent injury and property damage from unexpected tipping of furniture, we highly recommend installation of the anti-tip kit included with this product.

Attaching mirror to wall with anti-tip kit.

1. Determine where the mirror is to be placed and mark location on the wall for the mounting bracket screw holes. They should be placed approximately 2" below the "D" ring on the back of the mirror frame.
2. Attach the mounting bracket vertically to the wall by inserting the Long screws provided through the holes in the bracket and tightening securely using screwdriver. Screws must penetrate wall studs for proper installation.
3. Place mirror so the "D"-ring on the back edge is in line with the bracket on the wall.
4. Lace the nylon strap down through the bracket and "D"-ring. Slide the thin end of the strap through the receiving end of the nylon strap. Pull to tighten mirror snug against wall.



NOTE: There will be extra pieces left over from the anti-tip kit, please discard.

CARE INSTRUCTIONS

Hardware may loosen overtime. Periodically check that all connections are tight.

Wipe with a soft, dry cloth. To protect finish, avoid the use of chemicals and household cleaners.