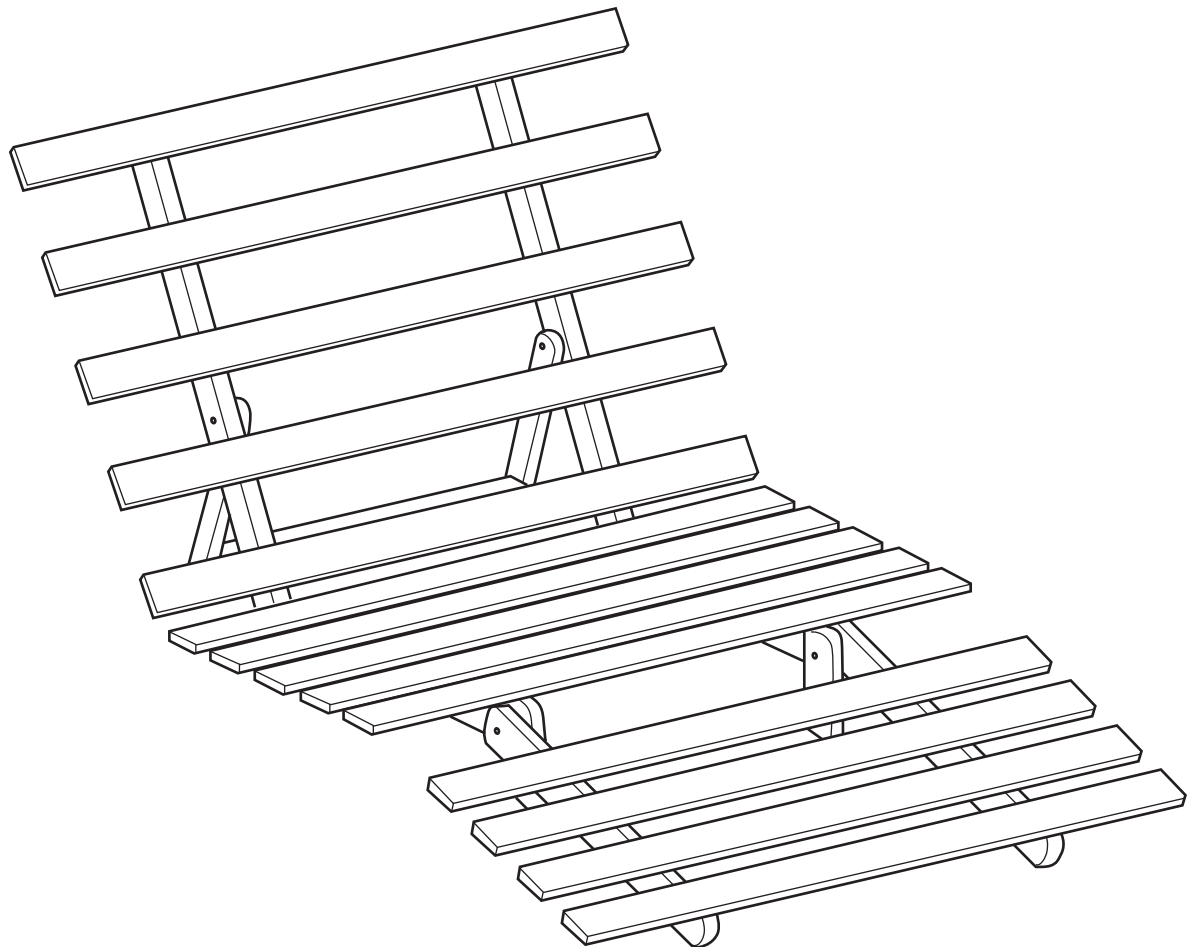


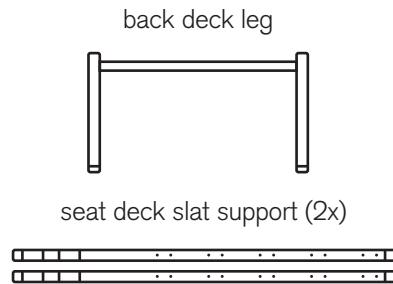
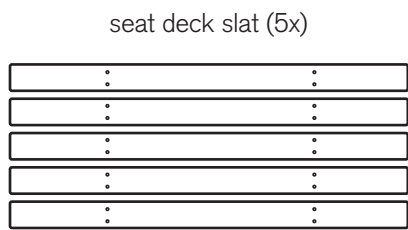
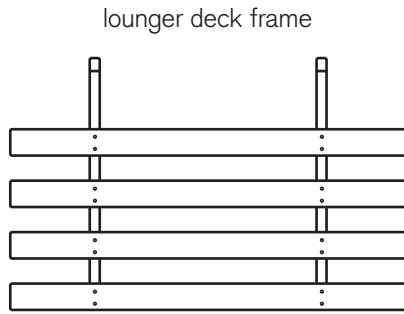
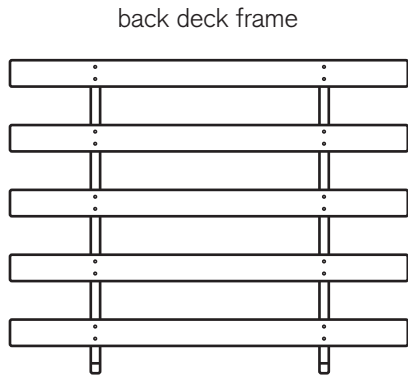
west elm : futon lounger frame (twin size)

assembly instructions

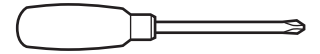


west elm : futon lounger frame (twin size)

assembly instructions



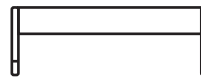
! Tools required:



! Do not throw away packaging materials until assembly is complete.

! Assemble this item on a soft surface, such as cardboard or carpet, to protect the finish.

seat deck leg

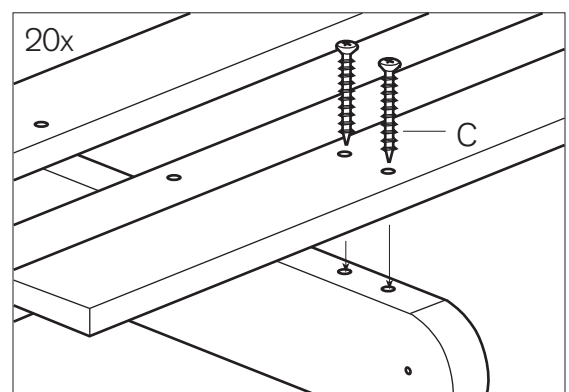
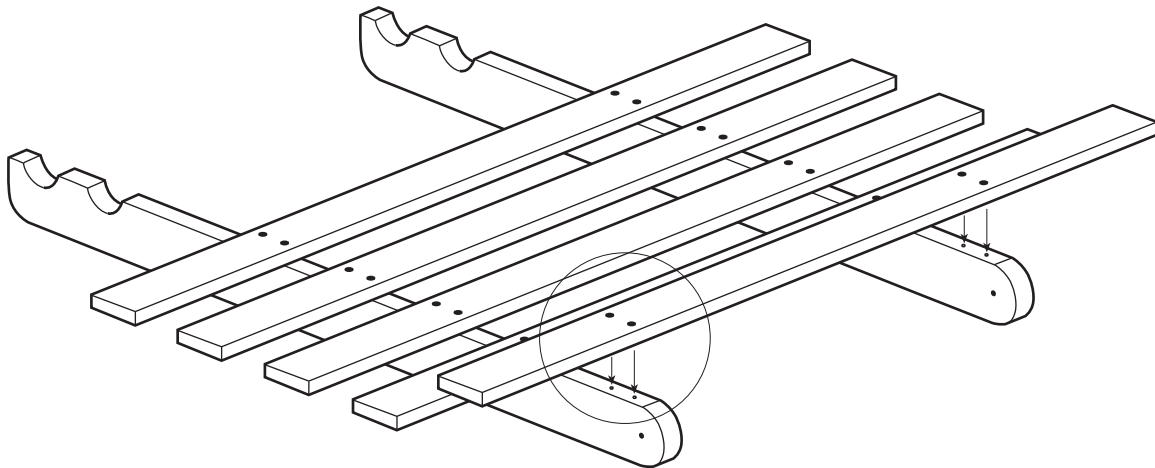


| | | |
|---|---|------------------------------|
| <p>A</p> <p>bolt: 7/16" DIA x 3 1/2" 2x</p> | <p>B</p> <p>bolt: 7/16" DIA x 2 3/8" 4x</p> | <p>C</p> <p>screw 20x</p> |
| <p>D</p> <p>nut 6x</p> | <p>E</p> <p>metal washer 6x</p> | <p>F</p> <p>allen key 1x</p> |
| <p>G</p> <p>wrench 1x</p> | | |

west elm : futon lounger frame (twin size)

assembly instructions

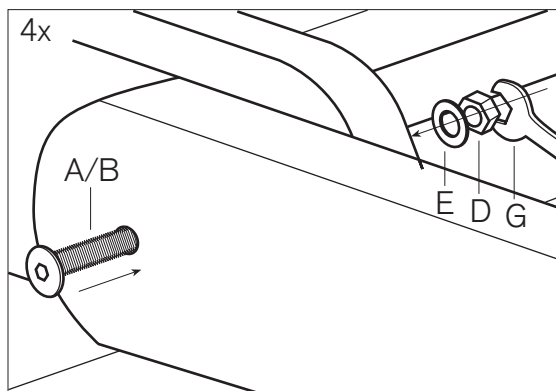
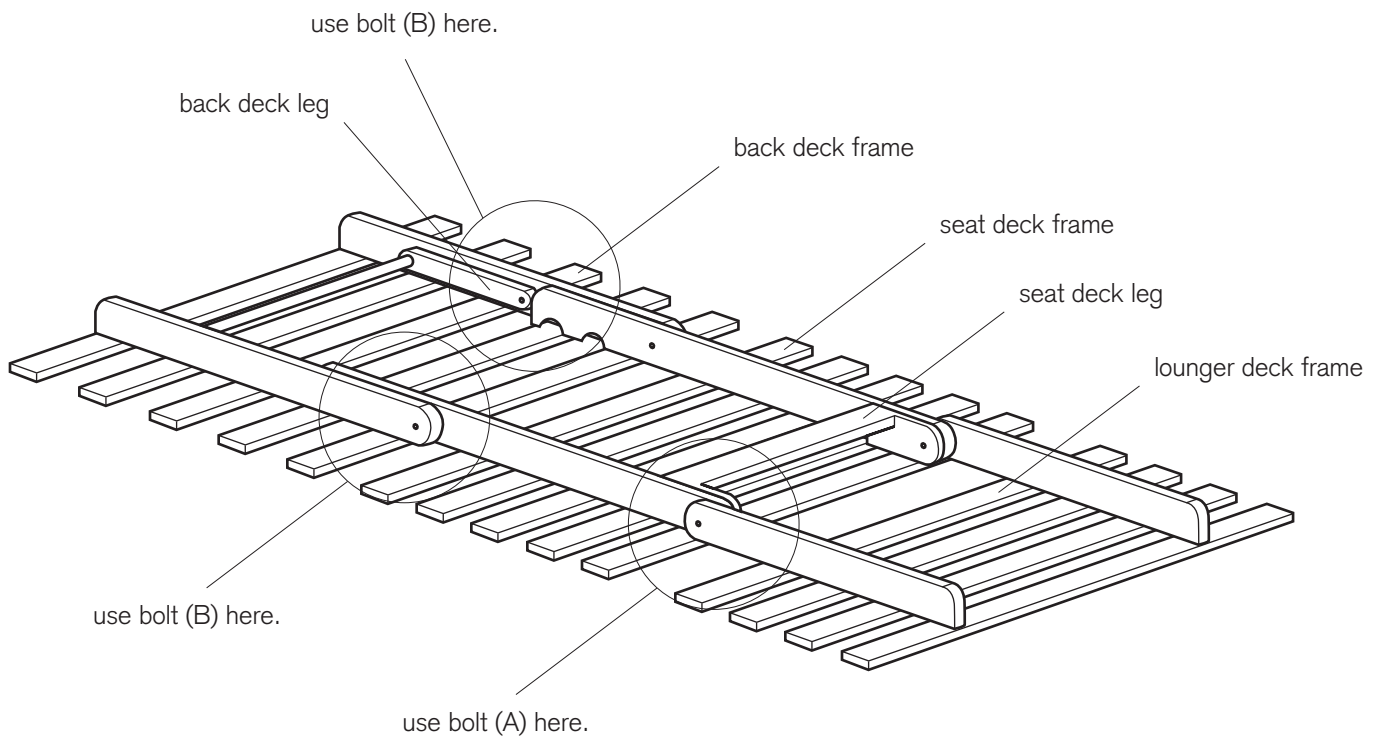
1. Attach slats to seat deck using wood screws (C). Screw into pre-drilled holes provided on slat support.



west elm : futon lounge frame (twin size)

assembly instructions

2. Connect back deck frame, seat deck frame, lounge frame and seat deck leg together.
3. Complete assembly by adding back deck leg.

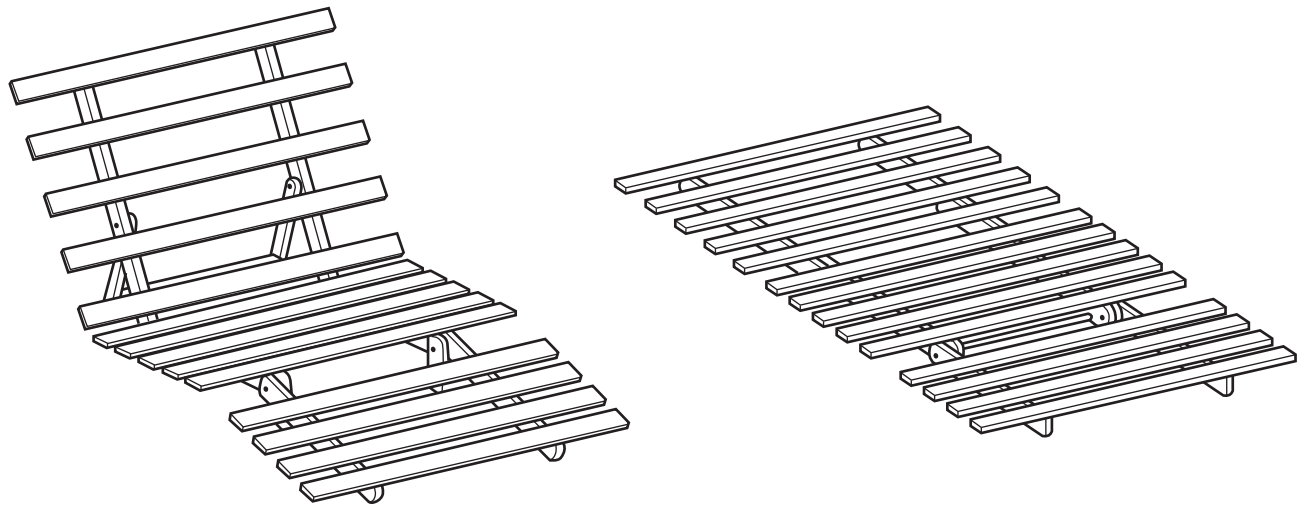


CARE INSTRUCTIONS. Hardware may loosen over time. Periodically check that all connections are tight.

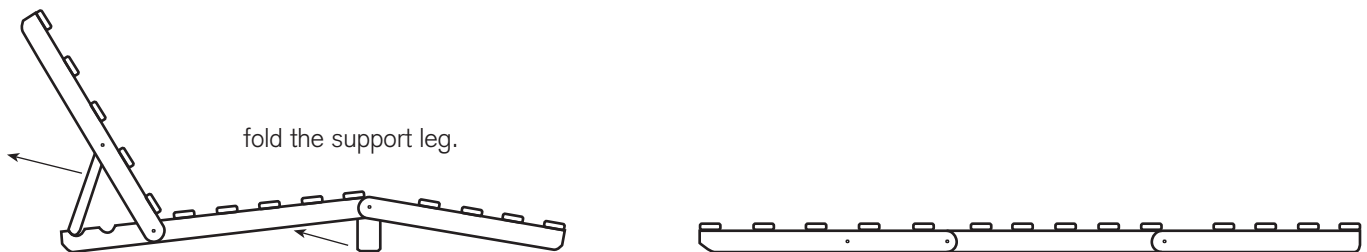
Wipe with a soft, dry cloth. To protect the finish, avoid the use of all chemicals and household cleaners.

west elm : futon lounger frame (twin size)

operating instructions



LOUNGE TO BED POSITION:



BED TO LOUNGE POSITION:

