

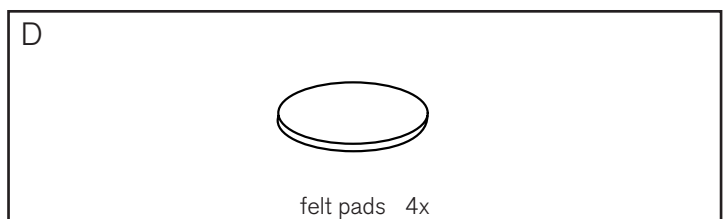
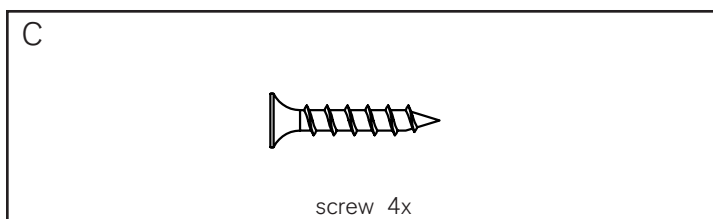
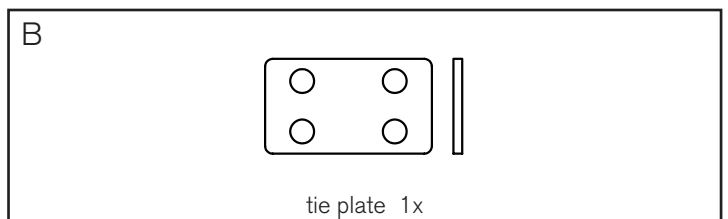
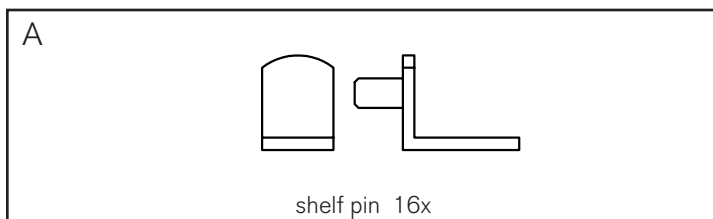


! Tools required: 

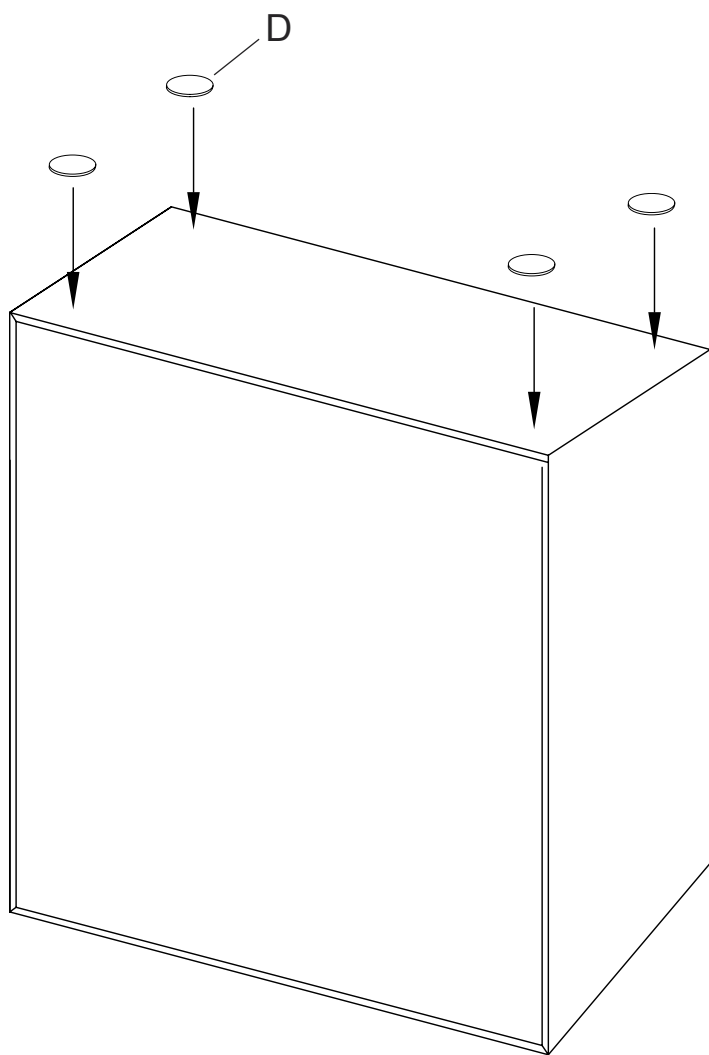
! Do not throw away packaging materials until assembly is complete.

! Assemble this item on a soft surface, such as cardboard or carpet, to protect finish.

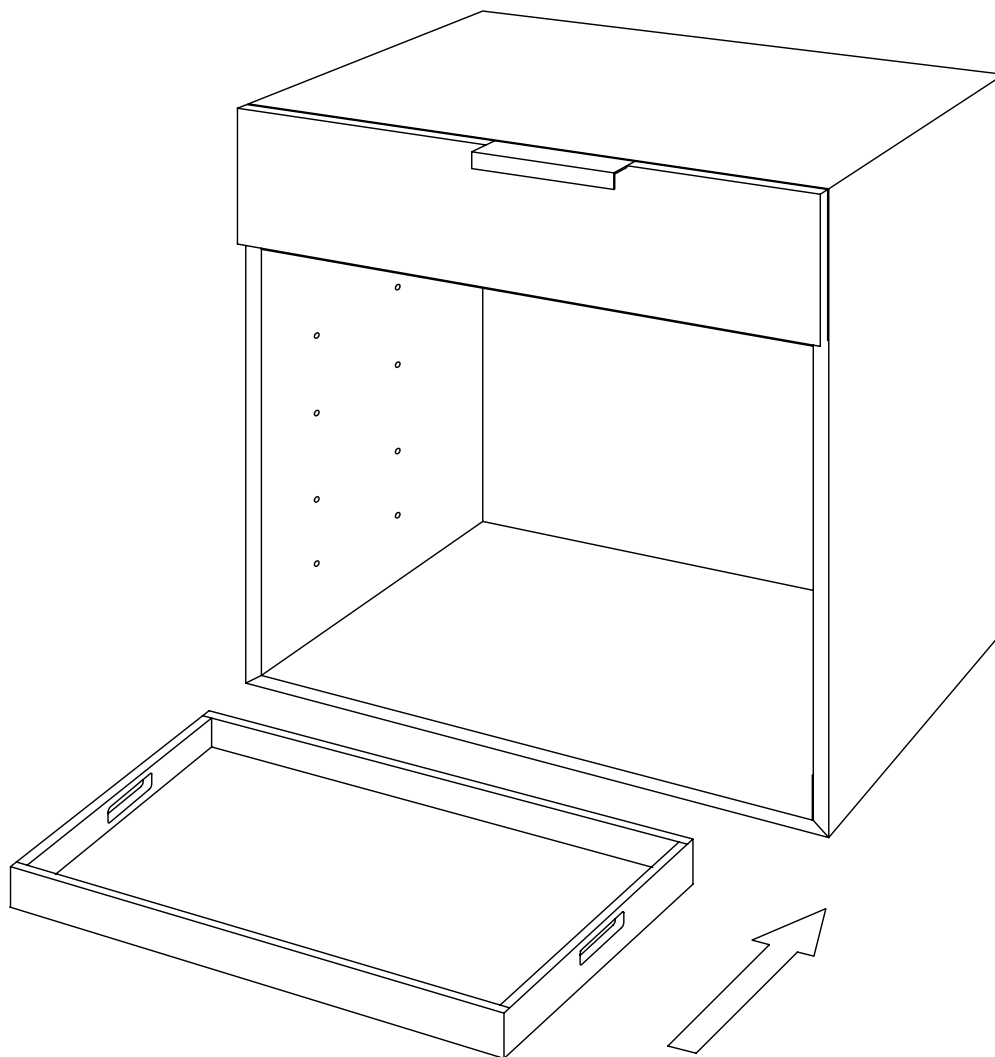
! Proper assembly of this item requires 2 people.



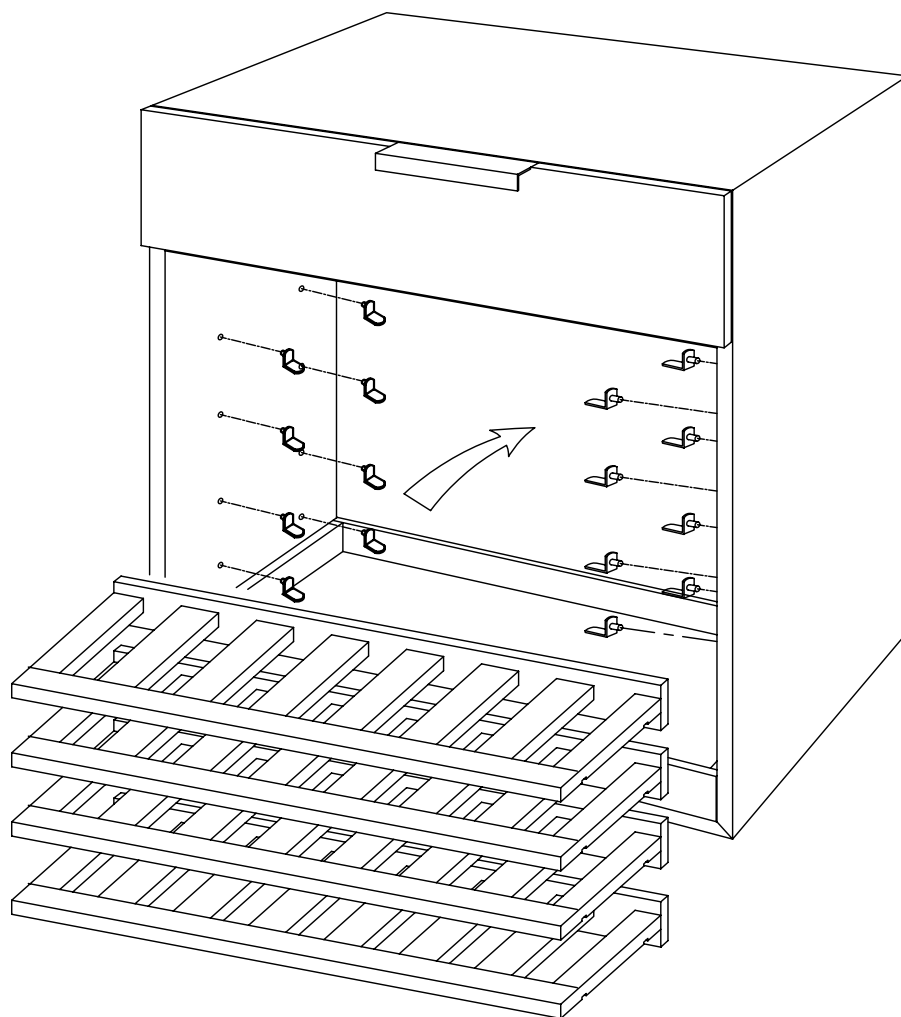
1. Turn cabinet over and place felt pads (D) on bottom as shown.



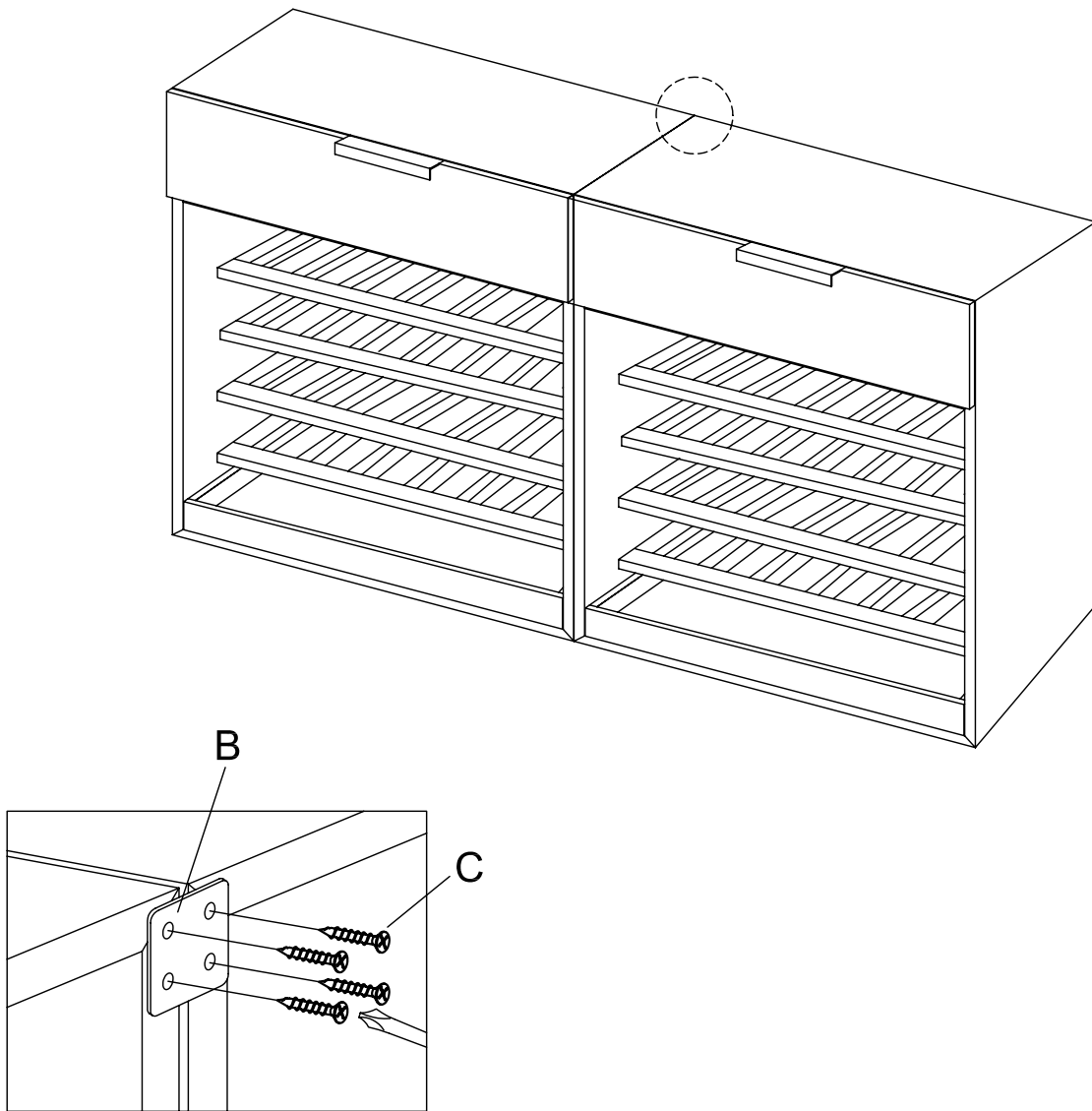
2. Slide in bottom tray as shown.



3. Insert shelf pins (A) into cabinet holes as shown. Set shelves on pins.



4. Multiple units can be fastened together as shown using the tie plate (B) and screws (C). Tighten screws with a phillips screwdriver.



CARE INSTRUCTIONS

Hardware may loosen over time. Periodically check that all connections are tight.

Wipe with a soft, dry cloth. To protect finish, avoid the use of chemicals and household cleaners.

**OVER BALANCE.** To prevent injury and property damage from unexpected tipping of furniture, we highly recommend installation of the overbalance protection hardware included with this product.

1. Attach the mounting brackets horizontally to the top back edge of the furniture. Insert the short screws through the holes in the bracket and tighten securely using screwdriver.
2. Determine where the furniture is to be placed and mark location on the wall for the other mounting bracket screw holes. It should be placed approximately 2" below the bracket mounted to the furniture.
3. Attach the mounting brackets vertically to the wall by inserting the long screws provided through the holes in the bracket and tightening securely using screwdriver.
4. Place the furniture so the brackets on the back edge are in line with the brackets on the wall.
5. Lace an end of the nylon restraint strap down through each bracket. Bring both ends together and slide the thin end of the strap through the receiving end of the strap until snug.
6. Check to make sure the strap is securely laced and locked to the brackets.

