

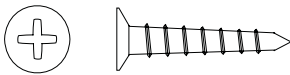
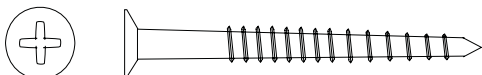
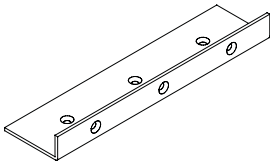
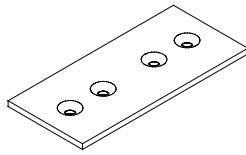
! Tools required: 

! Do not throw away packaging materials until assembly is complete.

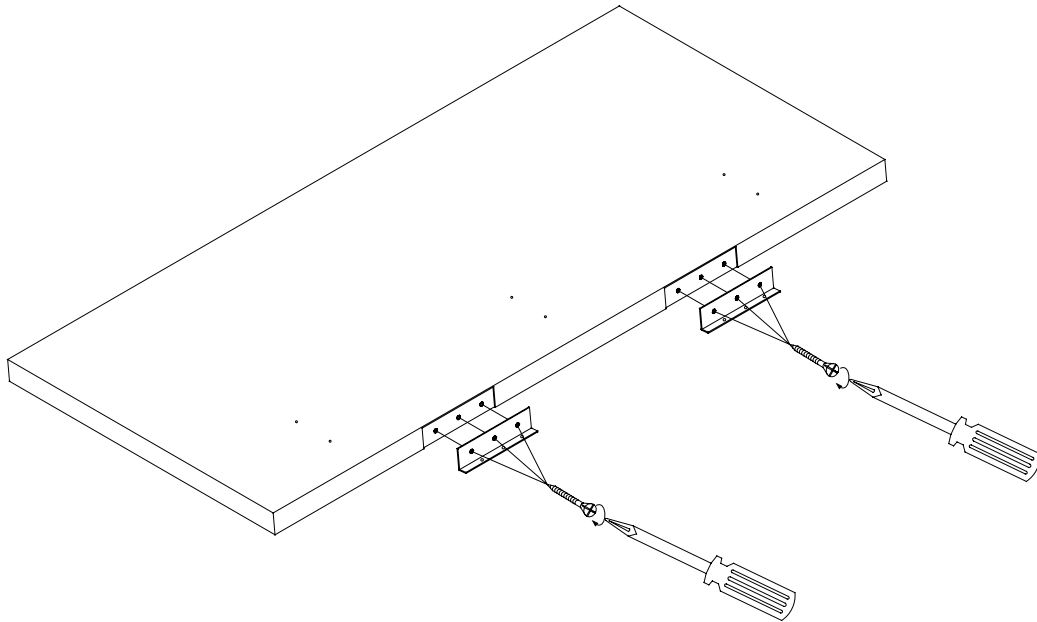
! Assemble this item on a soft surface, such as cardboard or carpet, to protect finish.

! Proper assembly of this item requires 2 people.

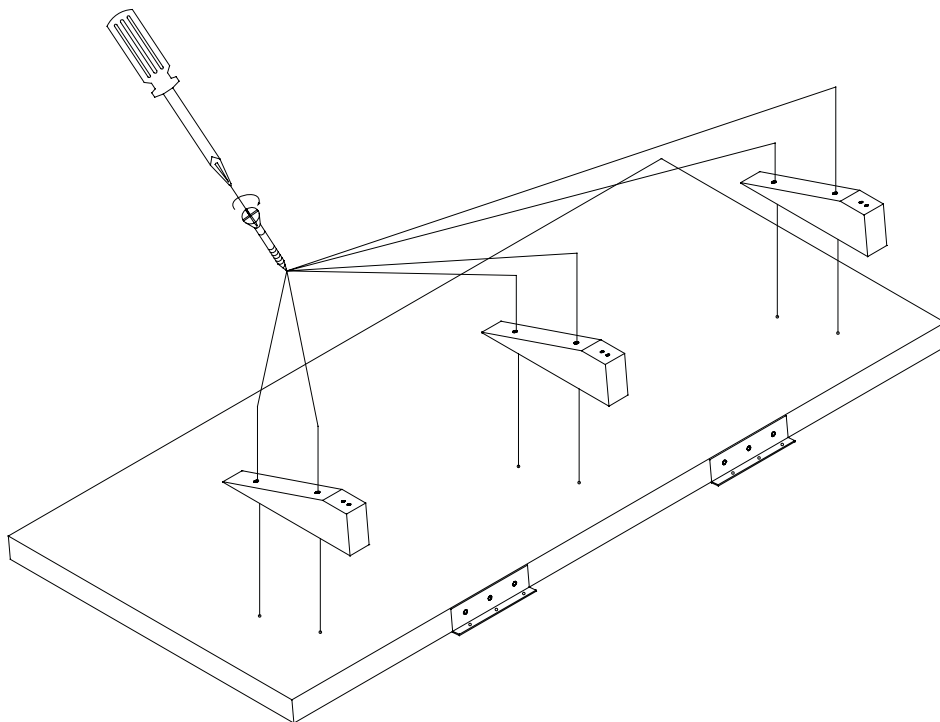
## Hardware

<p>A</p>  <p>Screws #6 x 22mm X24</p>	<p>B</p>  <p>Screws #8 x 50mm 6x</p>
<p>C</p>  <p>"L" Plate X2</p>	<p>D</p>  <p>Rectangular Plate X3</p>

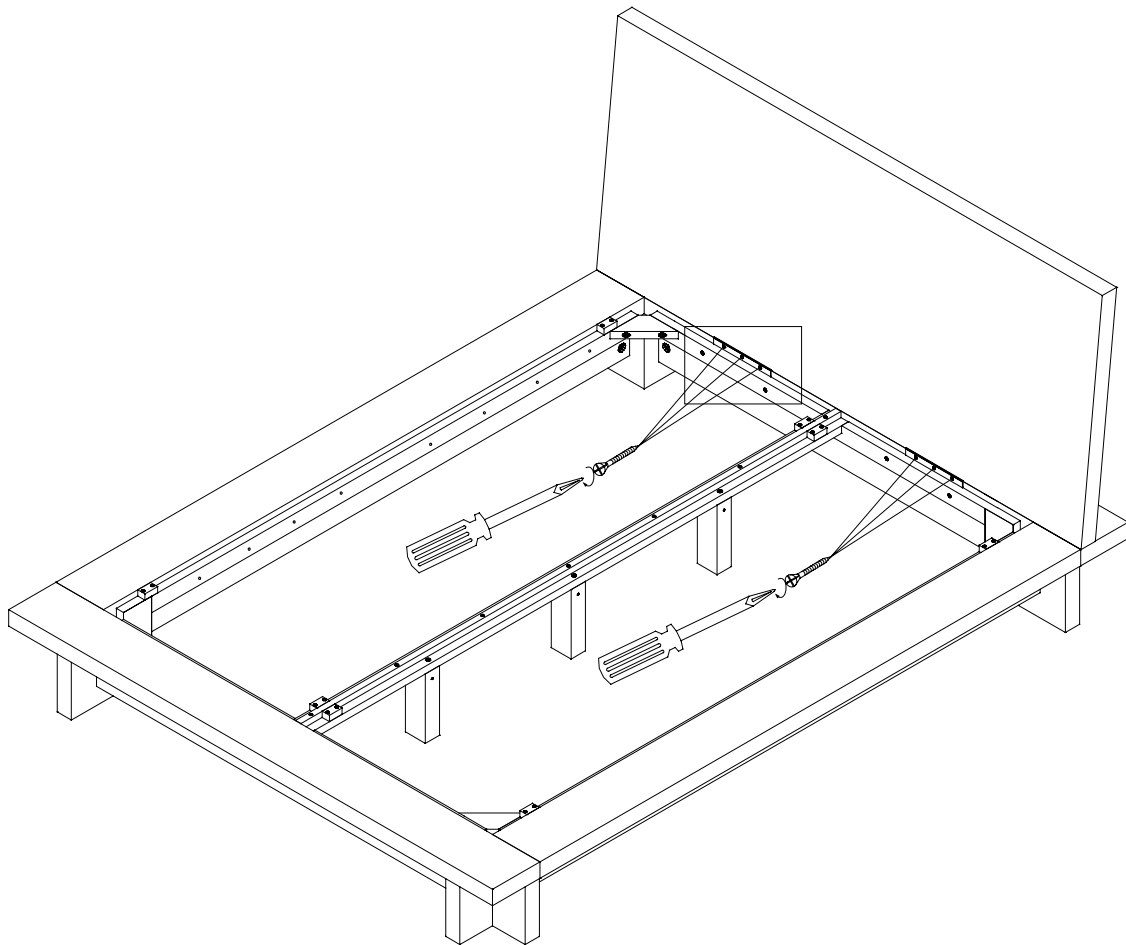
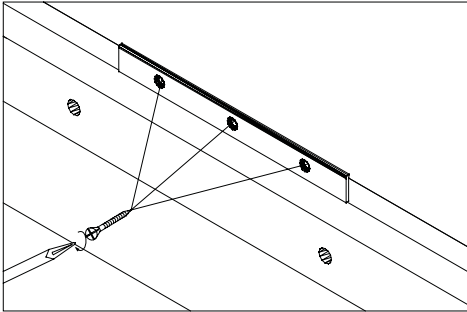
1. Lay headboard face down on carpet or clean cardboard surface. Attach "L" Plates ( C ) to the headboard and secure them with screws ( A ) using Philip screw-driver.



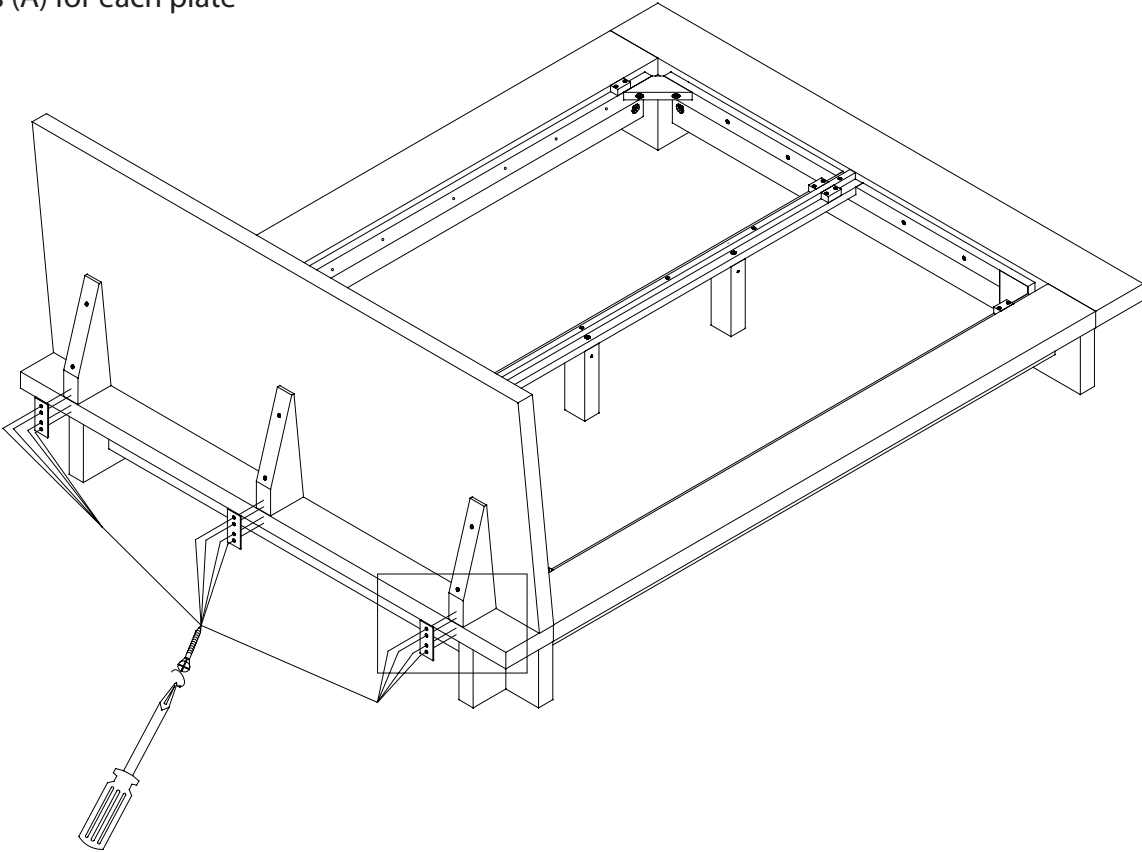
2. Align the holes in the triangle blocks with the holes on the headboard. Attached the triangle blocks to the headboard and secure them with 2 screws ( B ) for each block.



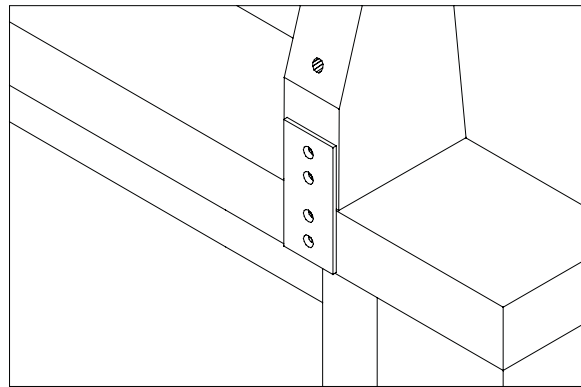
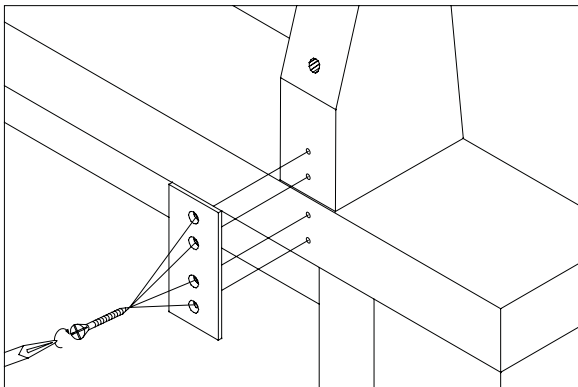
3. Attach the headboard to the Corner leg platform bed frame and secure with 3 screws (A) for each side.



4. From the backside, secure the triangle block to the bed frame using the Rectangular Plates (D) and 4 screws (A) for each plate



5. Make sure to install all screws as shown in the drawing. 2 screws in the block and 2 screws in the bedframe per rectangular bracket (D).



#### CARE INSTRUCTIONS

Hardware may loosen overtime. Periodically check that all connections are tight.

Wipe with a soft, dry cloth. To protect finish, avoid the use of chemicals and household cleaners.