

west elm

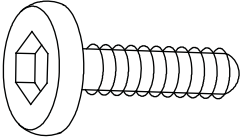
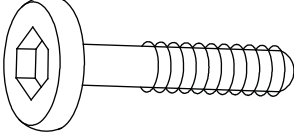
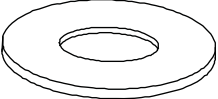



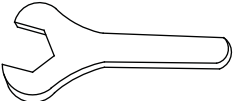
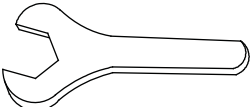


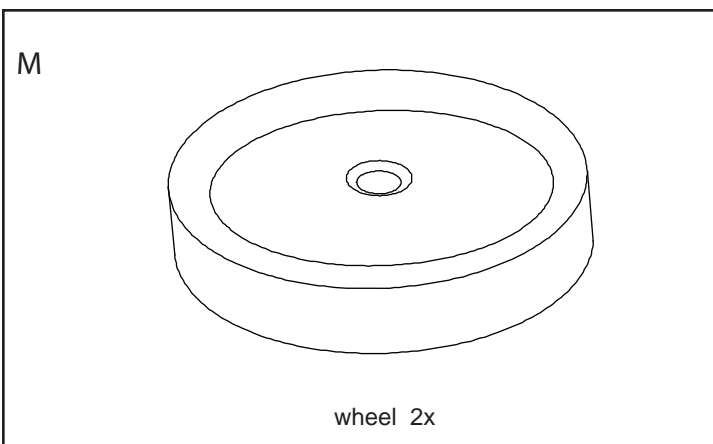
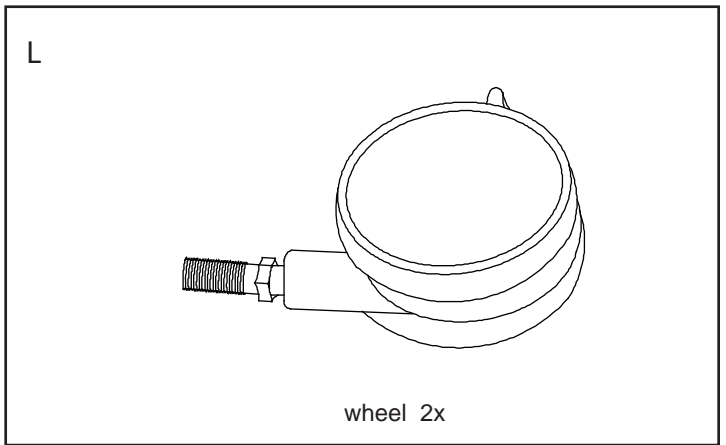
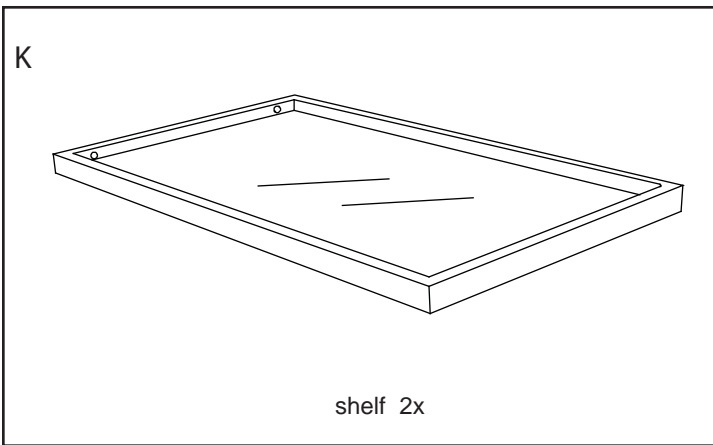
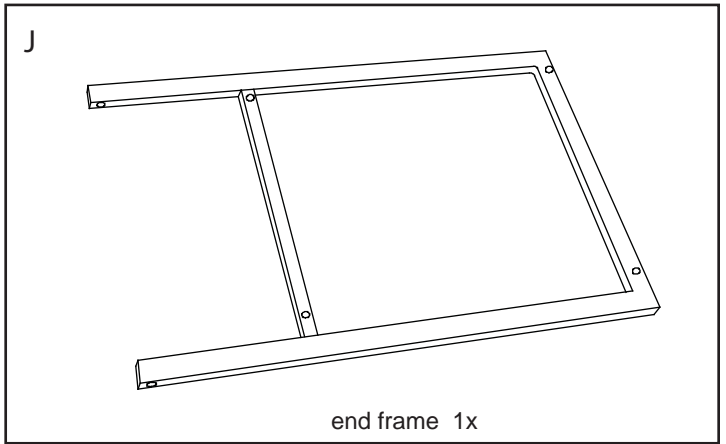
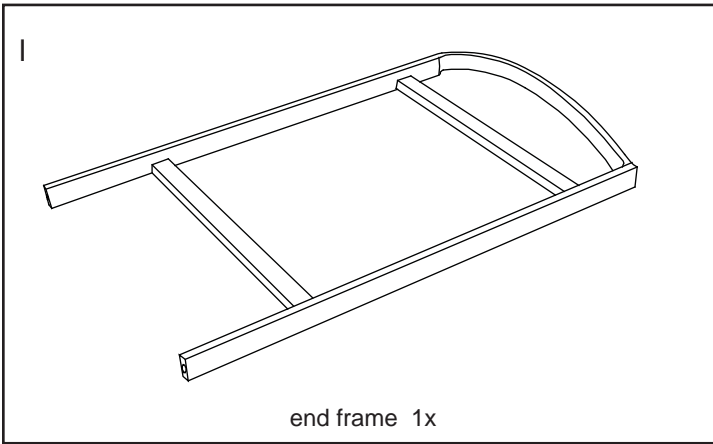
barrow barcart

assembly instructions

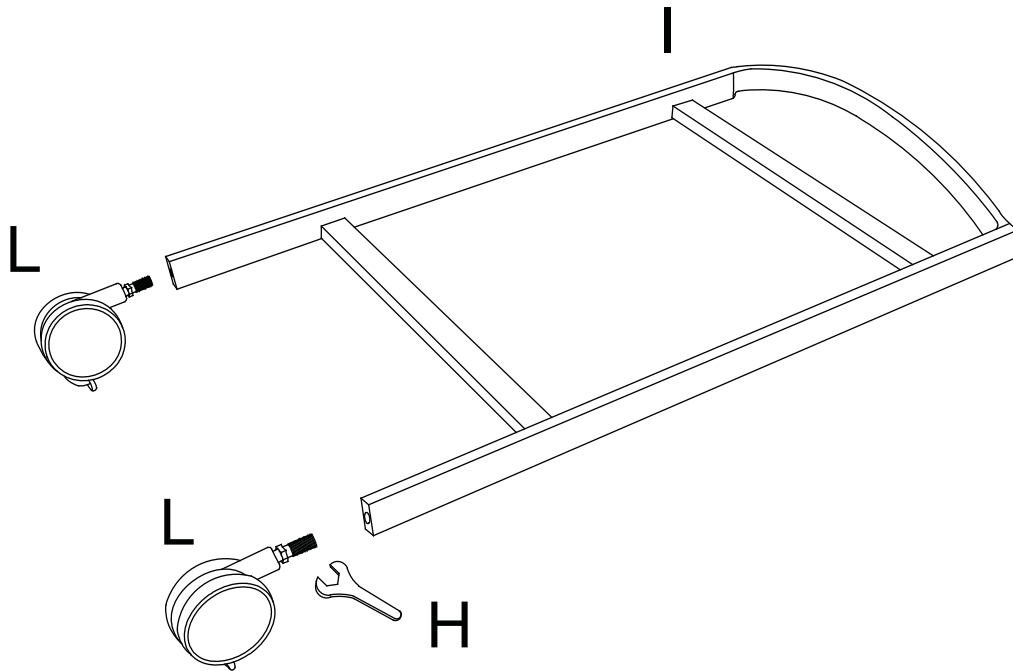
- ! Do not throw away packaging materials until assembly is complete.
- ! Assemble this item on a soft surface, such as cardboard or carpet, to protect finish.
- ! Proper assembly of this item requires 2 people.

Hardware

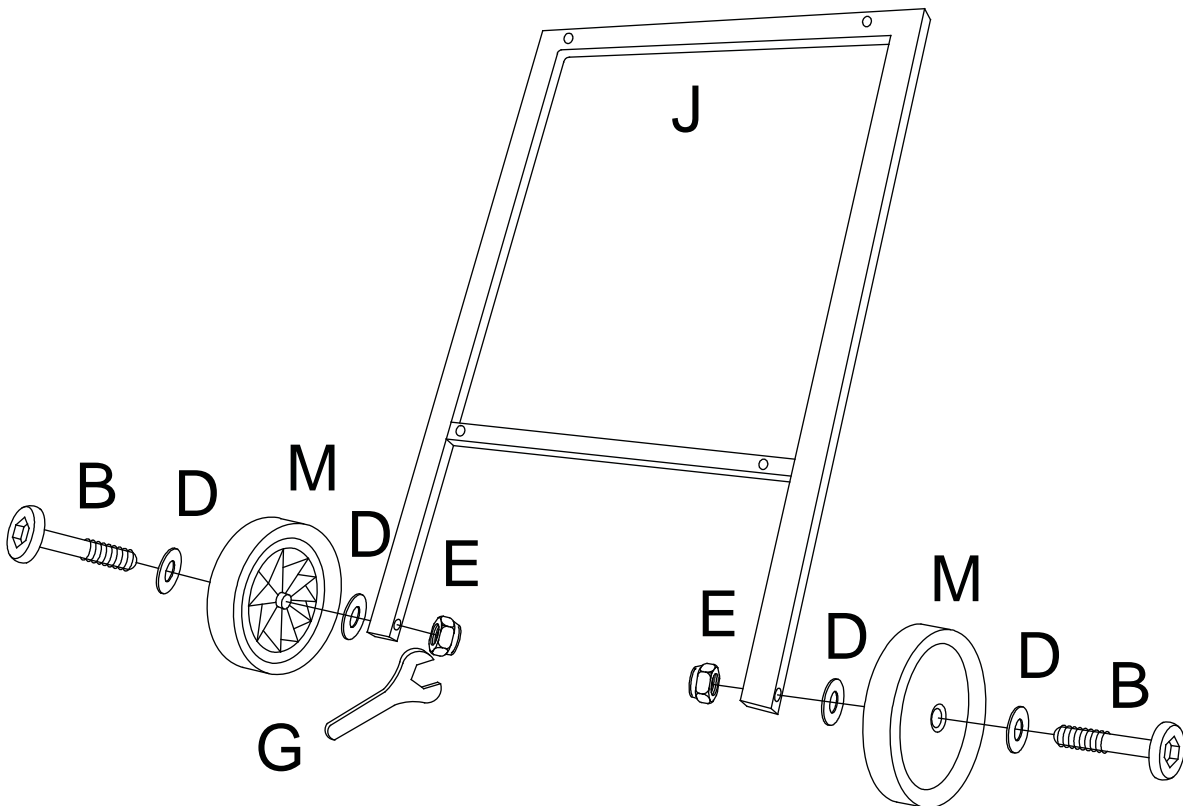
<p>A</p>  <p>Bolts 8x</p>	<p>B</p>  <p>Bolts 2x</p>
<p>C</p>  <p>small washer 8x</p>	<p>D</p>  <p>large washer 4x</p>
<p>E</p>  <p>nut 2x</p>	<p>F</p>  <p>hex key 1x</p>
<p>G</p>  <p>small wrench 1x</p>	<p>H</p>  <p>large wrench 1x</p>



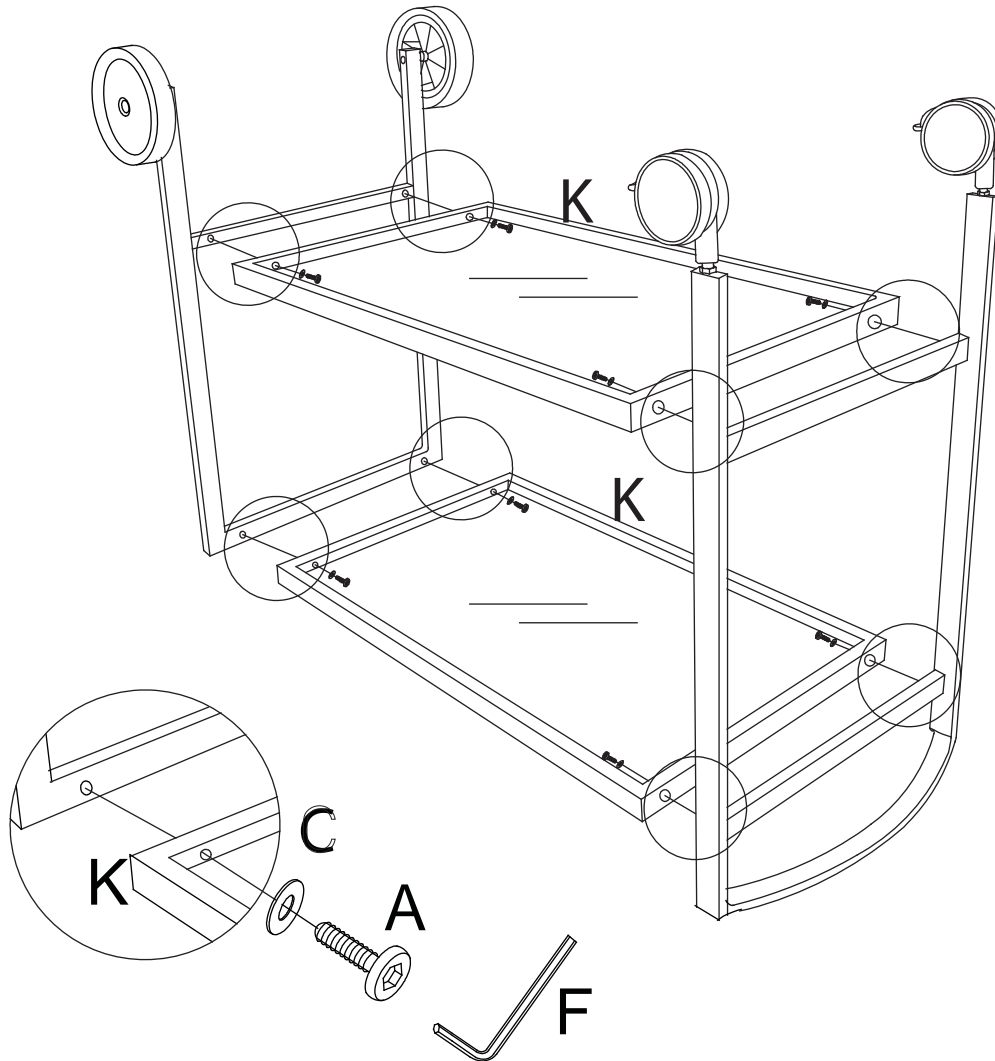
1. Align wheels (L) with the end frame (I). Insert wheels and tighten with large wrench (H).



2. Insert bolt (B) into large washer (D), wheel (M), large washer (D). Align wheel assembly with hole in bottom of leg. Apply nut (E). Tighten with small wrench (G).



3. Align shelf (K) to assembled end frame. Insert 2 bolts (A) and small washer (C). Tighten with supplied hex key. Align another shelf with second set of holes in assembled end frame. Insert 2 bolts (A) and small washer (C). Tighten with supplied hex key. Repeat for opposite end of cart like the drawing shows. With help flip the cart upright.



CARE INSTRUCTIONS

Hardware may loosen overtime. Periodically check that all connections are tight.

Wipe with a soft, dry cloth. To protect finish, avoid the use of chemicals and household cleaners.

Upholstery: Spot clean only.