

west elm

adjustable metal floor lamp

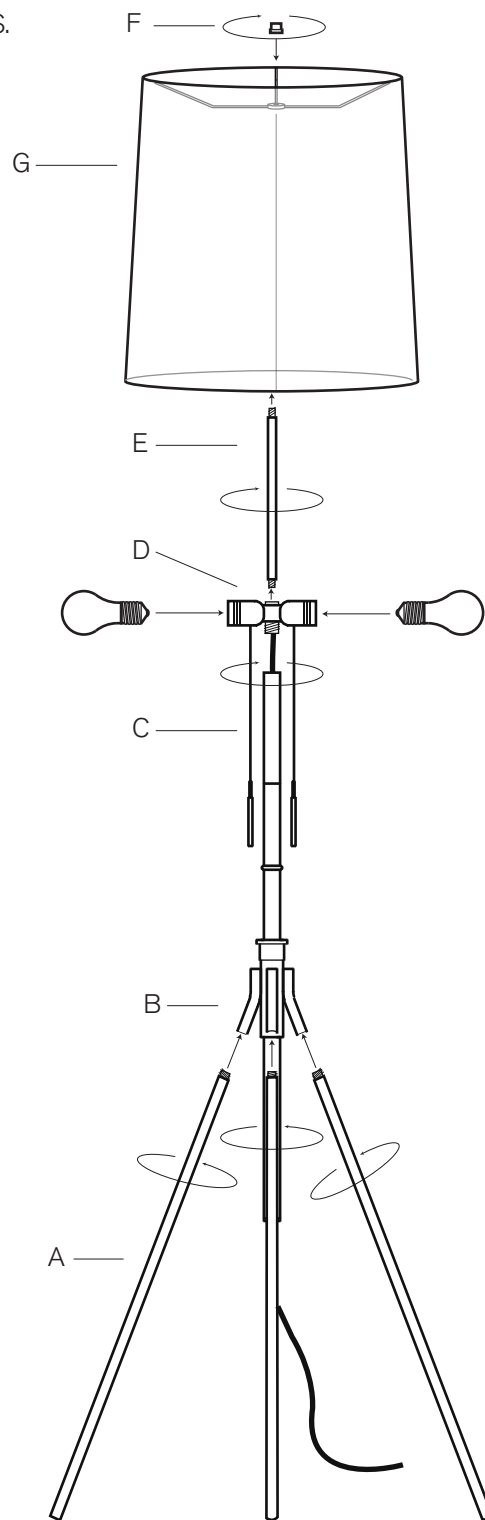
assembly instructions

! Use with a type A bulb. DO NOT USE WITH A BULB EXCEEDING 60 WATTS.

! Electric bulb should be centered inside the shade, making sure it does not touch the sides of the shade.

! Recommended for use with west elm lamp shades only.

1. Screw the legs (A) into the lamp base as shown (B).
2. Screw the socket assembly (D) into the lamp base top (C) as shown
3. Screw the harp tube (E) into the socket assembly (D).
4. Place shade (G) on harp tube (E) and secure by tightening cap nut (F) onto threaded rod.
5. Screw in lightbulb.



CARE INSTRUCTIONS.

Hardware may loosen over time. Periodically check that all connections are tight.

Wipe base with a soft, dry cloth. To protect the finish, avoid the use of all chemicals and household cleaners.