

Important Safety Instructions:

- These instructions are provided for your safety. It is very important that they are read carefully and completely before beginning the assembly and installation of this lighting fixture.
- This fixture has been rated for up to one (1) **E27 40-watt maximum TYPE A light bulb** (not included). To avoid the risk of fire, do not exceed the recommended lamp wattage.
- **If the external flexible cable or cord of this luminaire is damaged, it shall be exclusively replaced by the manufacturer or his service agent or a similar qualified person in order to avoid a hazard.**
- This lamp is meant for indoor use.
- **Save these instructions.**

WARNING:

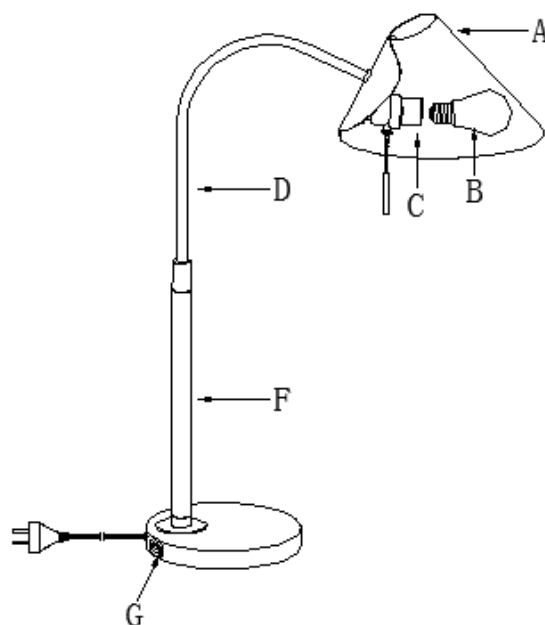
- **To reduce the risk of fire, electrical shock or personal injury, always turn off and unplug the light fixture and allow it to cool prior to replacing the light bulb.**
- **Do not touch bulb when fixture is turned on. Do not look directly at lit bulb.**
- **Keep flammable materials away from lit bulb.**

Pre-assembly:

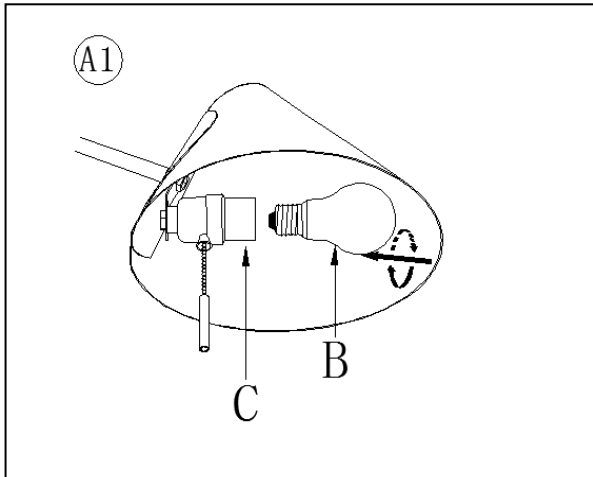
- Remove all parts and hardware from box along with any plastic protective packaging.
- Do not discard any contents until after assembly is complete to avoid accidentally discarding small parts or hardware.

Parts Included:

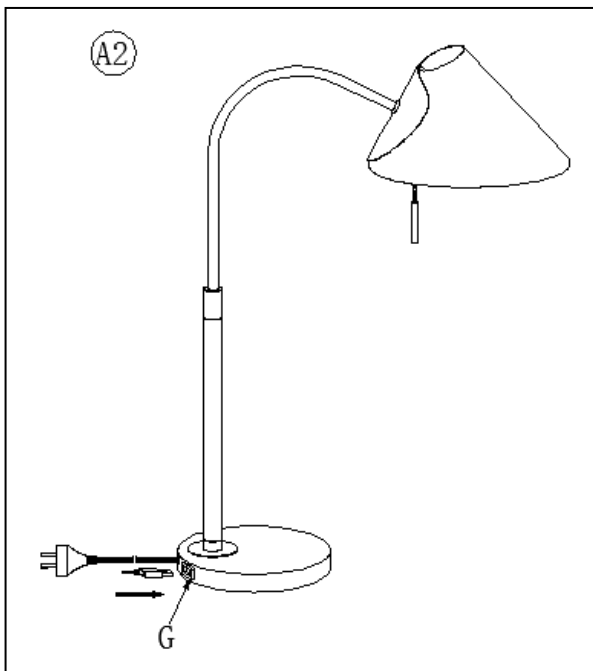
- (A) Lamp Shade (1)
- (B) **Light Bulb** (1) (not included)
- (C) Socket (1)
- (D) Stem (1)
- (F) Lamp Pole (1)
- (G) USB Port (1)



To Assemble:



Insert the specified light bulb into the Socket (C).
DO NOT EXCEED THE SPECIFIED WATTAGE.



There is one USB Port (G) on the lamp base, which can be used for recharging USB devices (USB charging cable is not included). **The maximum output is DC 5V, 2A.** Do not overcharge.

Care Instructions:

- Wipe clean with a soft, dry cloth or static duster.
- Always avoid the use of harsh chemicals or abrasive cleaners as they may cause damage to the fixture's finishing.

Thank you for your purchase
Stores | catalog | www.westelm.com