

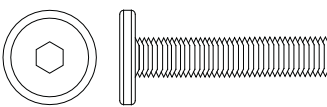

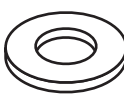
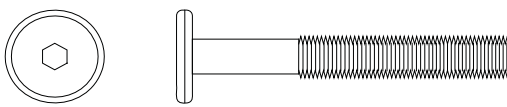
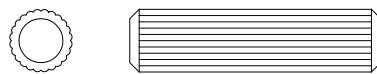
! Tools supplied:

! Do not throw away packaging materials until assembly is complete.

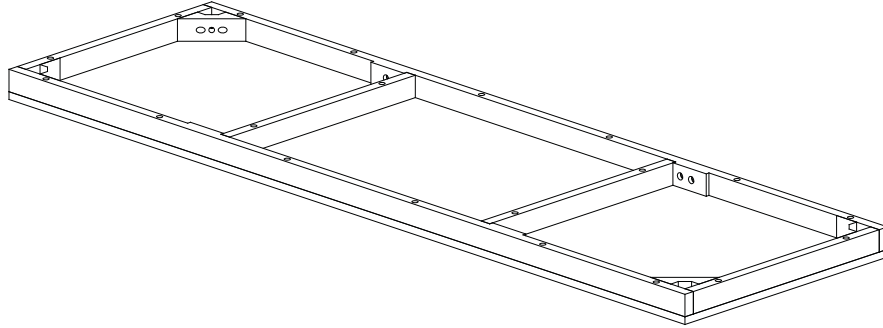
! Assemble this item on a soft surface, such as cardboard or carpet, to protect finish.

! Proper assembly of this item requires 2 people.

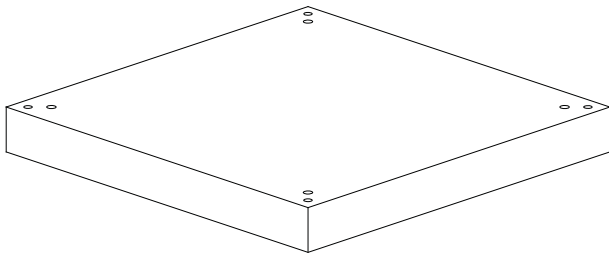
Hardware

<p>A</p>  <p>m6 x 45mm short bolts 20x</p>	<p>B</p>  <p>lock washer 28x</p>
<p>C</p>  <p>flat washer 28x</p>	<p>D</p>  <p>m6 x 57mm long bolt 8x</p>
<p>E</p>  <p>wooden dowel 10mm x 40mm 8x</p>	

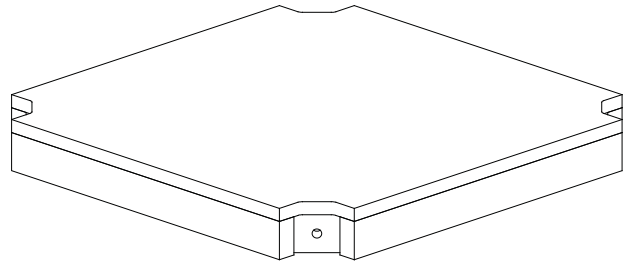
desktop 1x



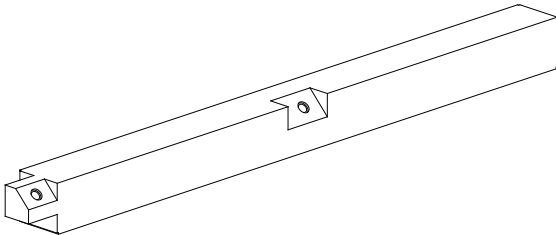
bottom shelf 2x



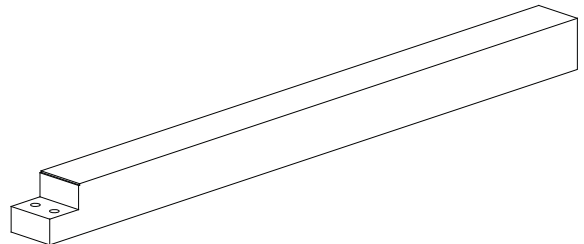
center shelf 2x



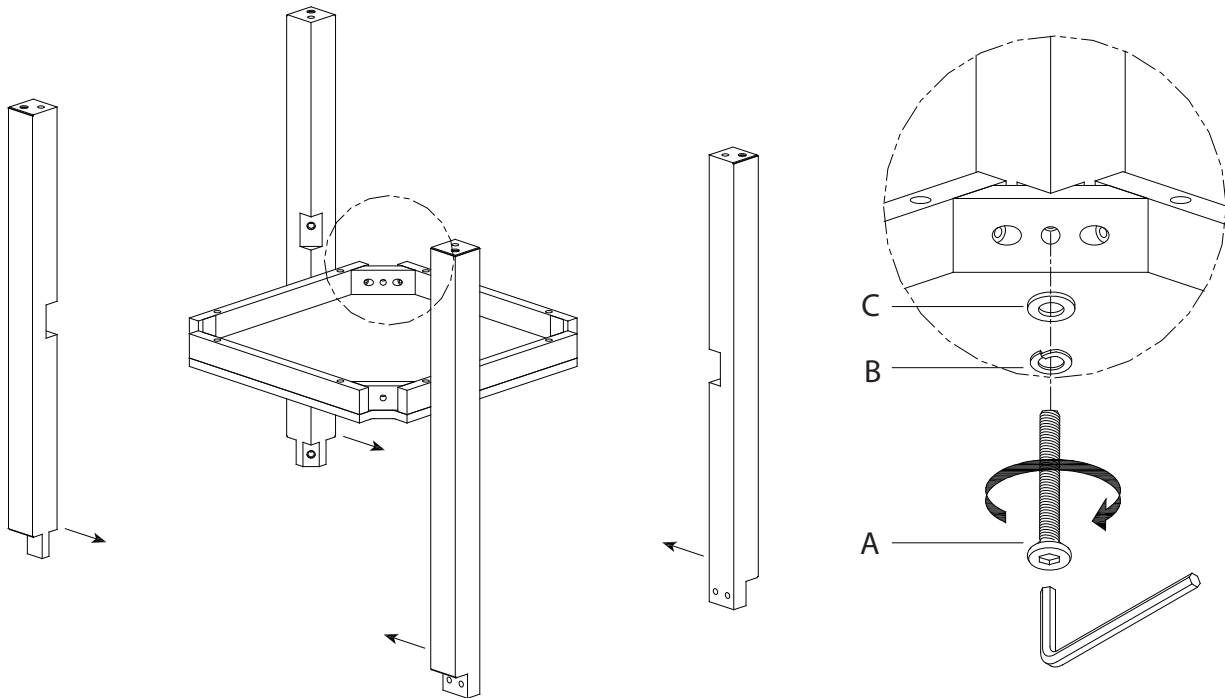
corner legs 4x



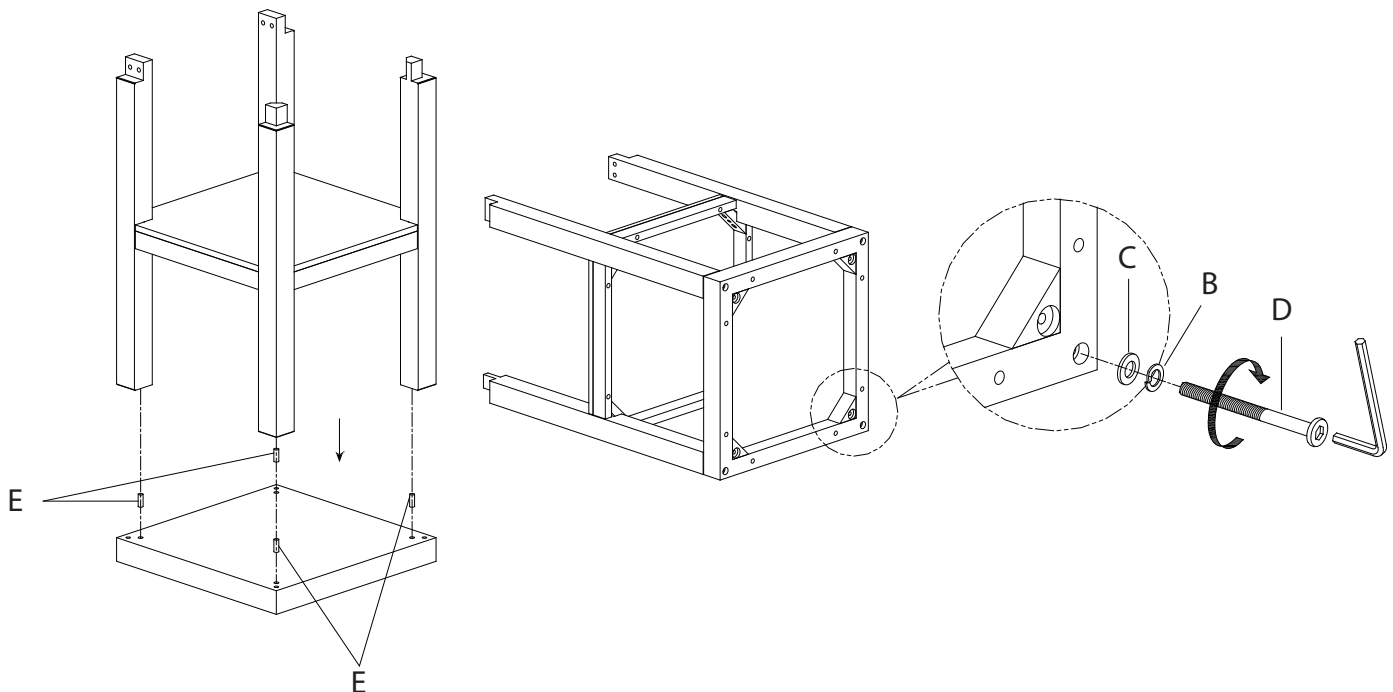
inner legs 4x



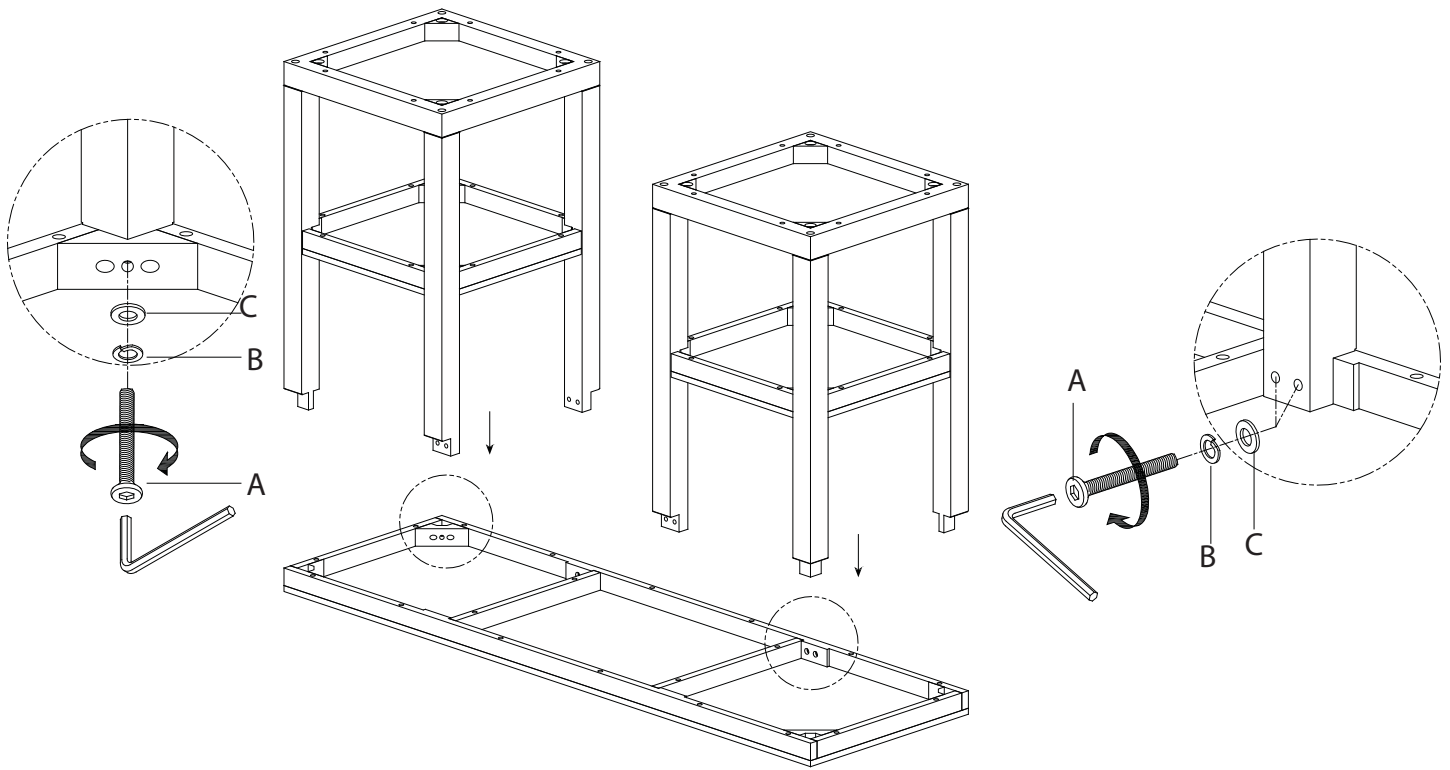
1. Connect 2 corner legs and 2 inner legs to each center shelf by inserting short bolt (A), lock washer(B), and flat washer(C). Make sure the 2 corner legs are on the same side of the shelf as shown.



2. Insert wooden dowels(E) into the pre-drilled holes located on the bottom shelf. Align and connect the assembled legs and shelf from step 1 to the wooden dowels in the bottom shelf. Insert bolt(D), lock washer(B), and flat washer(C) thru bottom into legs. Tighten with supplied hex key. Repeat this step for both sets of shelves.



3. Place the desktop upside down on a clean, soft surface. Align the 2 leg assemblies with the top as shown. Insert bolt(A), lock washer(B), and Flat Washer(C) thru top blocks into legs. Tighten with attached hex key.



CARE INSTRUCTIONS

Hardware may loosen overtime. Periodically check that all connections are tight.

Wipe with a soft, dry cloth. To protect finish, avoid the use of chemicals and household cleaners.