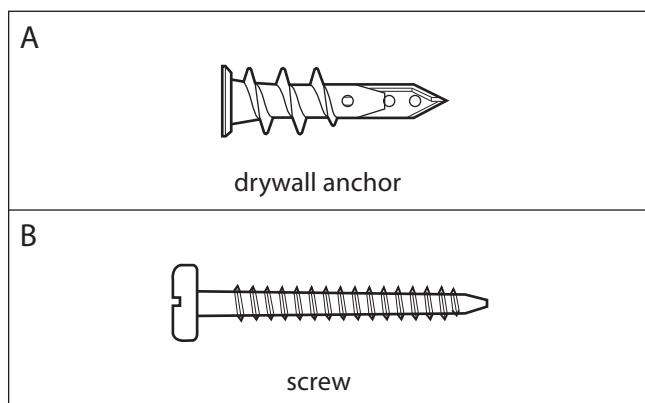


west elm : thin wood rods 4ft, 6ft, 8ft

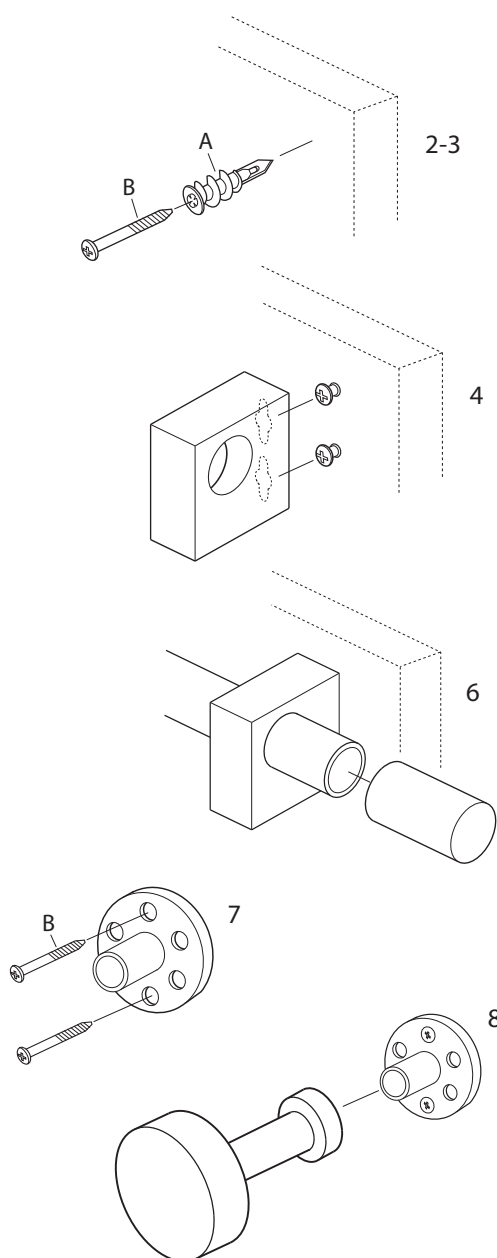
mounting instructions

NOTE:

- Stud mounting is recommended. Use proper hardware for your wall type (such as anchors for drywall). When in doubt, consult your local hardware store. For your safety, installation by two people is recommended.
- Wipe with a soft dry cloth only. Avoid cleaners and abrasives as they may damage the finish



! For drywall mounting, use anchors with screws.
For stud mounting, use screws only.



1. Measure and mark location for screw holes of curtain brackets. Use a level to ensure curtain hangs evenly.
2. For stud mounting: skip to step 3. For drywall mounting: using a Philip's head screwdriver, insert the drywall anchors (A) into the wall at the insertion points. Press and turn clockwise until anchors are flush with the wall.
3. Insert screws (B) into the anchors or at the insertion points, leaving approximately 1/2" between the back of the screw head and the wall.
4. Align keyhole notches in brackets over the screw heads. Slide the bracket down until it rests on the screws. Tighten or loosen screws as needed to fit the curtain snugly against the wall.
5. **For 8 ft curtain only:** Screw together curtain rod sections. Do not over-tighten.
6. Insert rod through bracket hole and place finial over the end of rod.
7. Fasten tie back plate to wall with 2 screws (B) as shown.
8. Fasten tie back bracket onto plate.