

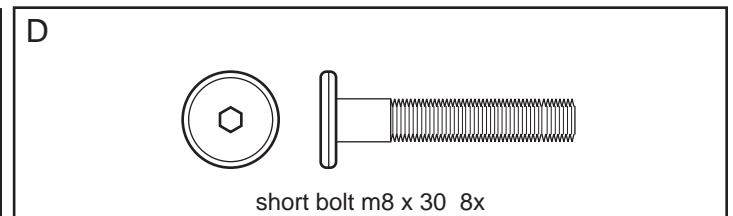
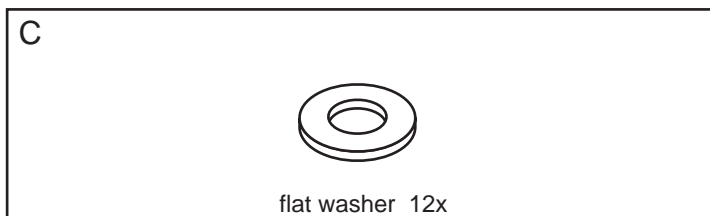
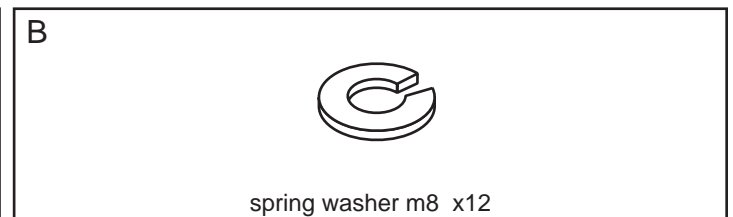
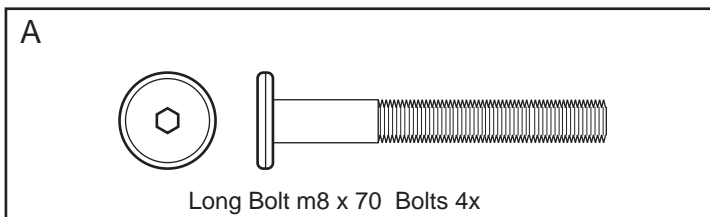
! Tools supplied:

! Do not throw away packaging materials until assembly is complete.

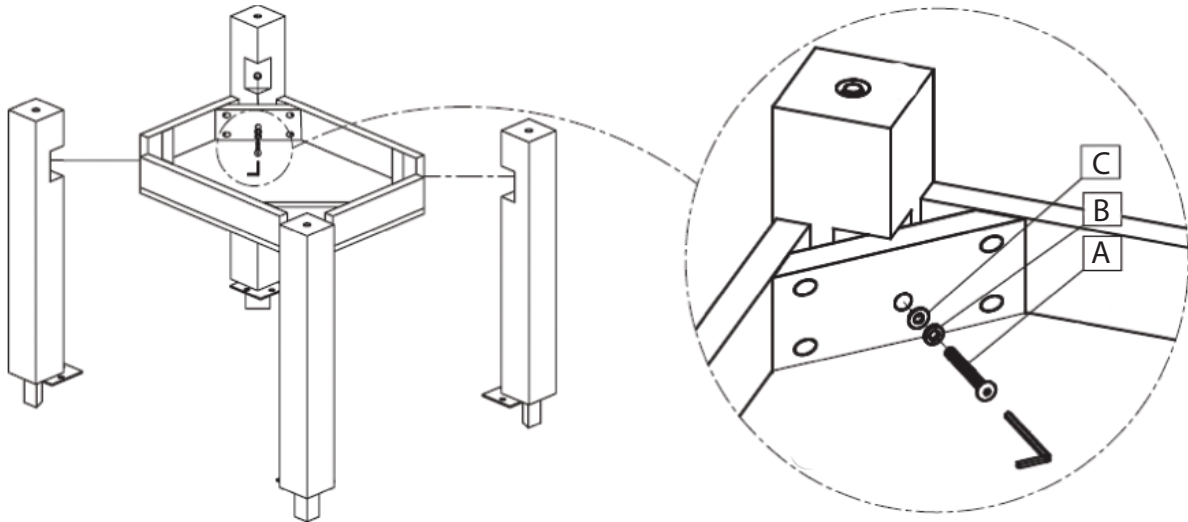
! Assemble this item on a soft surface, such as cardboard or carpet, to protect finish.

! Proper assembly of this item requires 2 people.

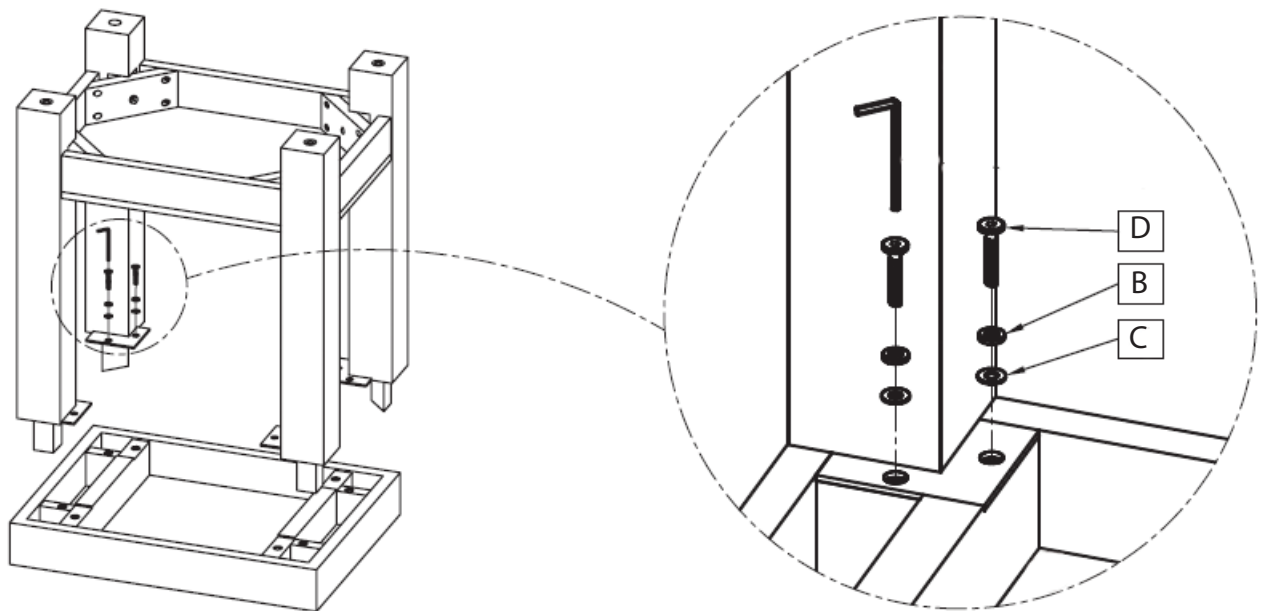
Hardware



1. Align legs with shelf like the drawing shows. Insert bolt (A), spring washer (B), and flat washer (C), into the holes shown. Tighten with supplied hex key. Do not tighten completely.



2. Lay top upside down on a clean smooth surface. Align assembled shelf and legs over top. Slide legs into the bottom of the top. Insert bolt (D), spring washer (B), and flat washer (C), into the holes shown. Tighten with supplied hex key.



3. Tighten all bolts completely using supplied hex key. Turn assembled table upright.

CARE INSTRUCTIONS

Hardware may loosen overtime. Periodically check that all connections are tight.

Wipe with a soft, dry cloth. To protect finish, avoid the use of chemicals and household cleaners.