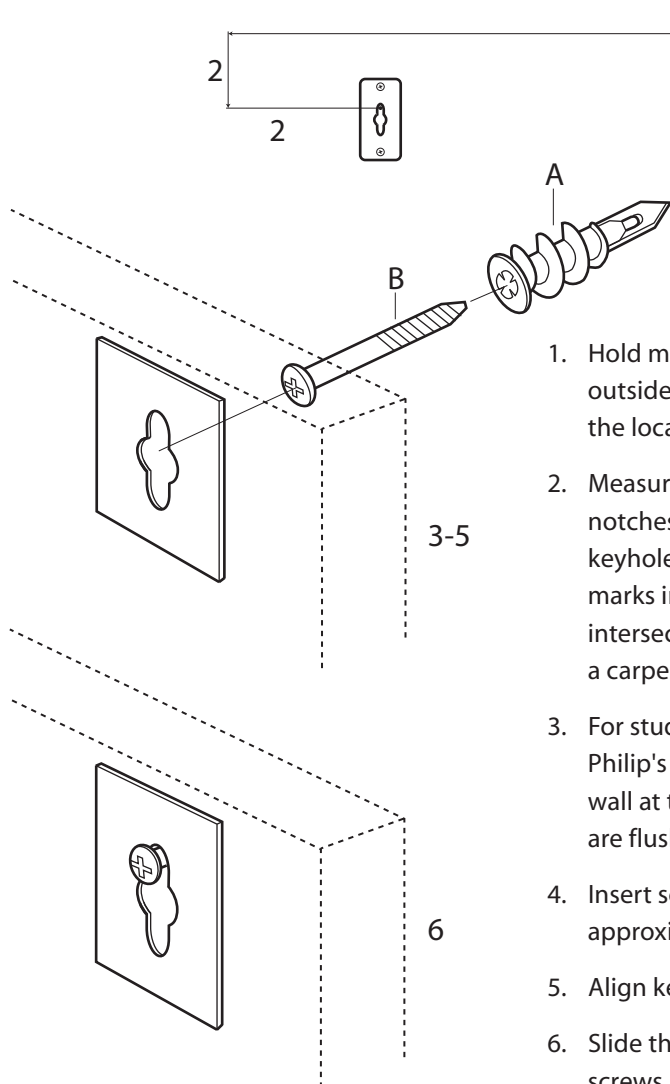
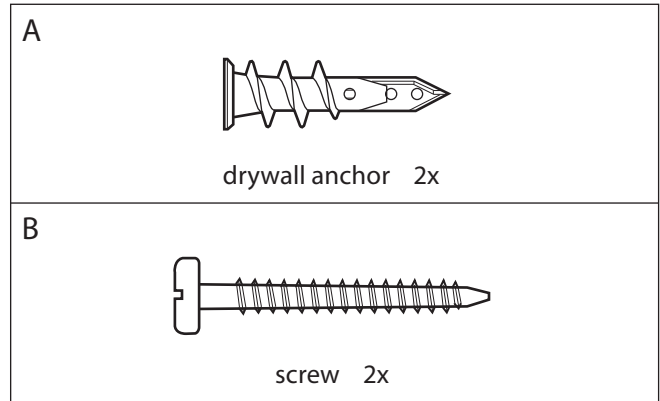


west elm : overlapping square wall mirror -26" square

mounting instructions

NOTE:

- Stud mounting is recommended. Use proper hardware for your wall type (such as anchors for drywall). When in doubt, consult your local hardware store. For your safety, installation by two people is recommended.
- Wipe with a soft, dry cloth. To protect the finish, avoid the use of all chemicals and household cleaners.



! For drywall mounting, use anchors with screws.
For stud mounting, use screws only.

1. Hold mirror at desired location. With a pencil, mark on wall the top outside corners of the mirror. These marks will be used to determine the location of the mounting hardware.
2. Measure down from the top of the mirror to the top of the keyhole notches. Measure in from the side of the mirror to the top of the keyhole notches. Record these measurements on the wall, using the marks in step 1 as a guide. Align the two measurements until they intersect. This is the insertion point of the mounting hardware. Use a carpenter's level to ensure the mirror will be level.
3. For stud mounting: skip to step 4. For drywall mounting: using a Philip's head screwdriver, insert the drywall anchors (A) into the wall at the insertion points. Press and turn clockwise until anchors are flush with the wall.
4. Insert screws (B) into the anchors or at the insertion points, leaving approximately 1/2" between the back of the screw head and the wall.
5. Align keyhole notches over the screw heads.
6. Slide the mirror down until it rests on the screws. Tighten or loosen screws as needed to fit the mirror snugly against the wall.