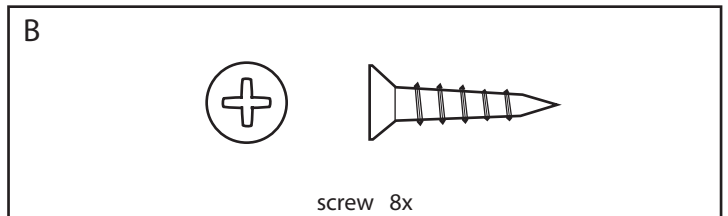
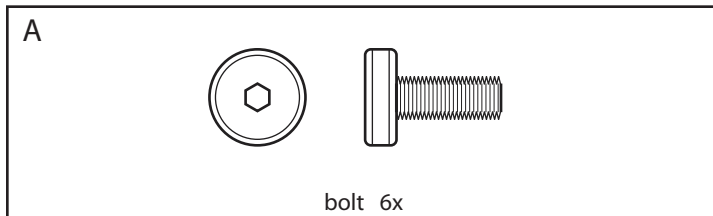


! Tools required: 

! Do not throw away packaging materials until assembly is complete.

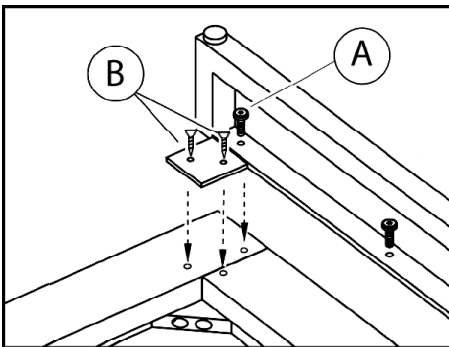
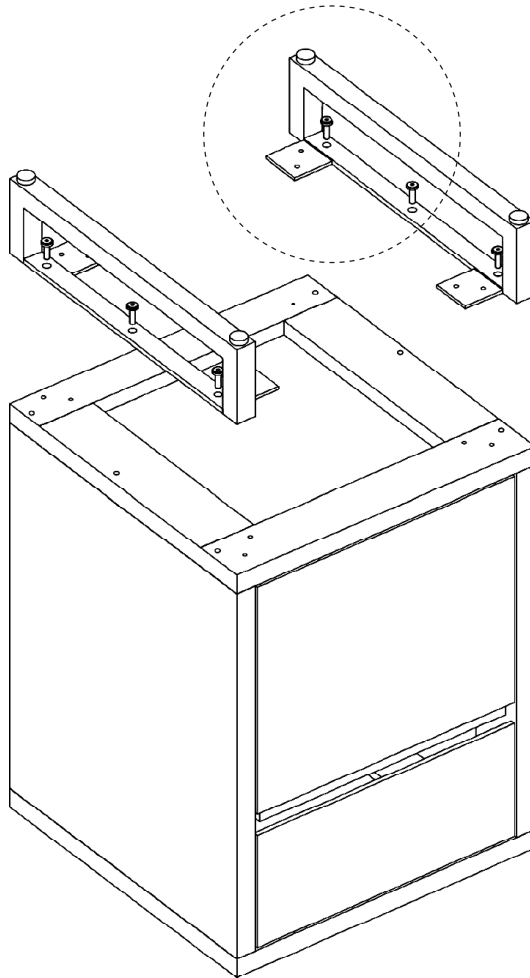
! Assemble this item on a soft surface, such as cardboard or carpet, to protect finish.

! Proper assembly of this item requires 2 people.



1. Before starting assembly, take out all accessories inside large bottom drawer. Then place the chest upside down on a smooth, scratch-free surface.

2. Attached each metal leg by aligning it on the pre-drilled holes underneath the chest . Insert bolts (A) into the leg beam as shown and tighten using the allen key (C). Then insert screws (B) into the plate and tighten using a phillips head screwdriver.



CARE INSTRUCTION

Hardware may loosen over time. Periodically check that all connections are tight.

Wipe with a soft, dry cloth. To protect finish, avoid the use of chemicals and household cleaners.