

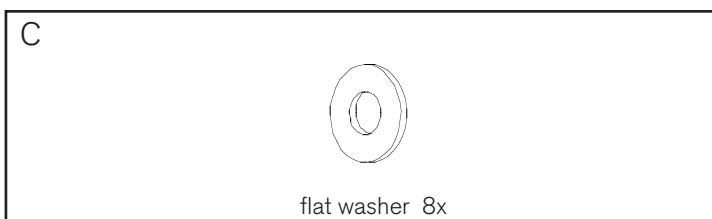
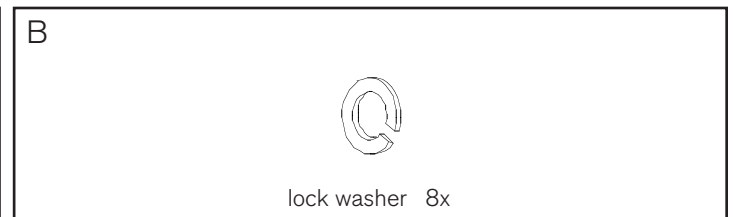
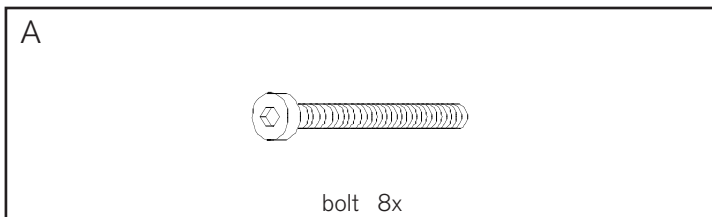
! Tools required:



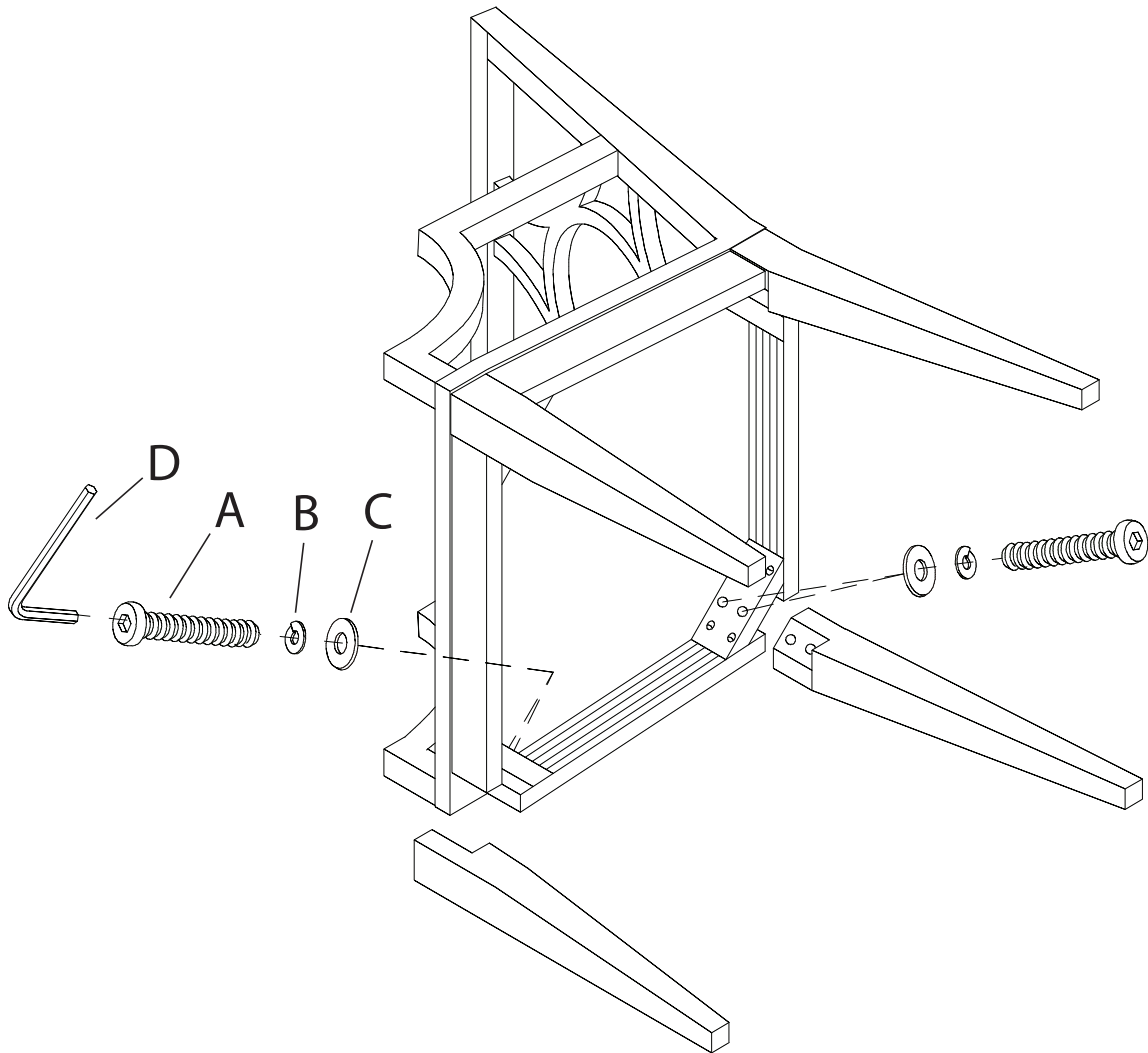
! Do not throw away packaging materials until assembly is complete.

! Assemble this item on a soft surface, such as cardboard or carpet, to protect finish.

! Proper assembly of this item requires 2 people.



1. Fasten legs to seat using bolts (A), lock washers (B), and flat washers(C) as shown. First tighten bolts by hand, then turn chair upright, apply pressure to seat to level legs, and then tighten bolts using allen key (D).



CARE INSTRUCTION

Hardware may loosen over time. Periodically check that all connections are tight.

Wipe with a soft, dry cloth. To protect finish, avoid the use of chemicals and household cleaners.