

Staggered Glass Table Lamp Assembly Instructions

Important Safety Instructions:

- This portable luminaire has a polarized plug (one blade is wider than the other) as a safety feature to reduce the risk of electric shock. This plug will fit in a polarized outlet only one way. If the plug does not fit fully in the outlet, reverse the plug. If it still does not fit, contact a qualified electrician. Never use with an extension cord unless plug can be fully inserted. Do not alter the plug. Do not attempt to defeat this safety feature.
- These instructions are provided for your safety. It is very important that they are read carefully and completely before beginning the assembly and installation of this lighting fixture.
- This fixture has been rated for up to one (1) **40-watt maximum TYPE G standard incandescent light bulb** (not included) or one (1) **9-watt compact fluorescent light bulb** (not included) or one (1) **12-watt maximum SBLED light bulb (5-watt SBLED light bulb included)**. To avoid the risk of fire, do not exceed the recommended lamp wattage.
- **This lamp is meant for indoor use. DRY LOCATIONS ONLY.**
- **Save these instructions.**

WARNING:

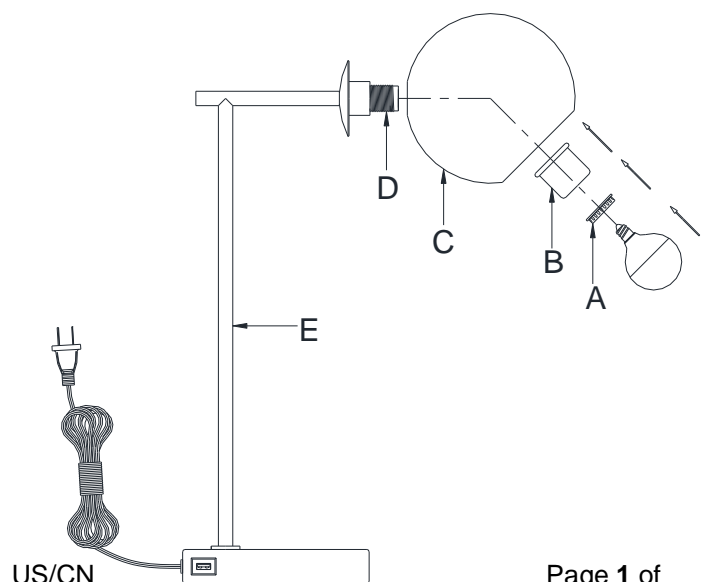
- **To reduce the risk of fire, electrical shock or personal injury, always turn off and unplug the light fixture and allow it to cool prior to replacing the light bulb.**
- **Do not touch bulb when fixture is turned on. Do not look directly at lit bulb.**
- **Keep flammable materials away from lit bulb.**

Pre-assembly:

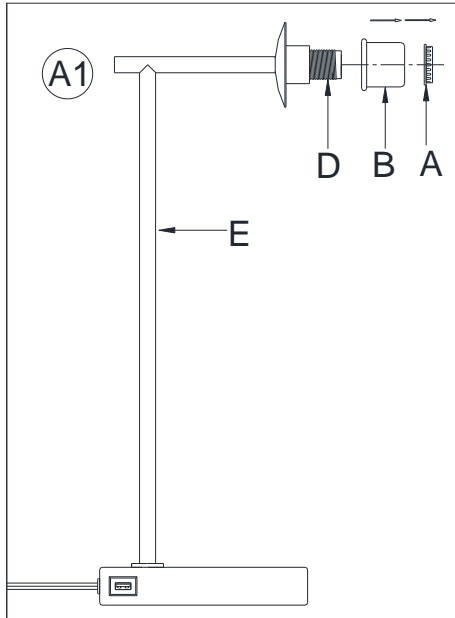
- Remove all parts and hardware from box along with any plastic protective packaging.
- Do not discard any contents until after assembly is complete to avoid accidentally discarding small parts or hardware.

Parts Included:

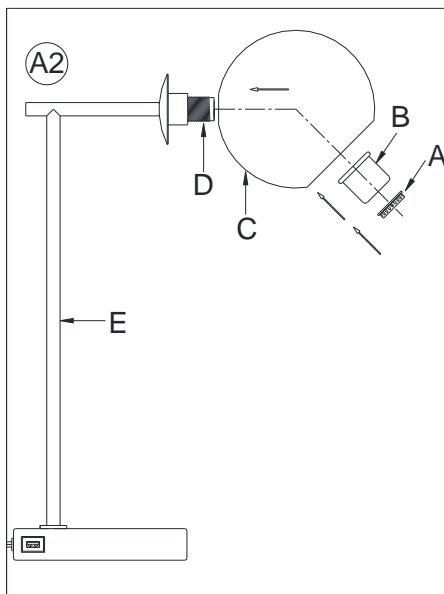
- (A) Socket Ring (1)
- (B) Spacer (1)
- (C) Glass Shade (1)
- (D) Socket (1)
- (E) Stem (1)



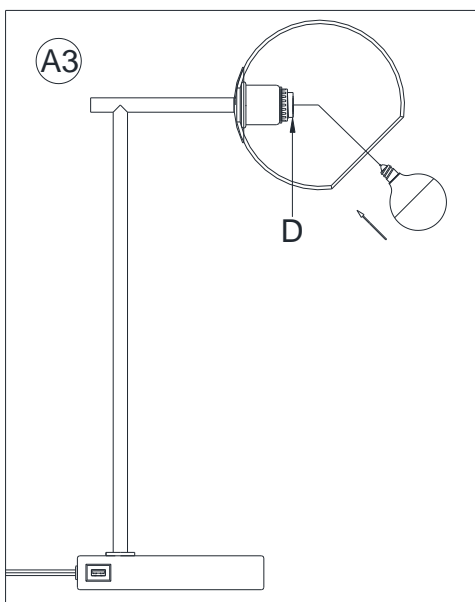
To Assemble:



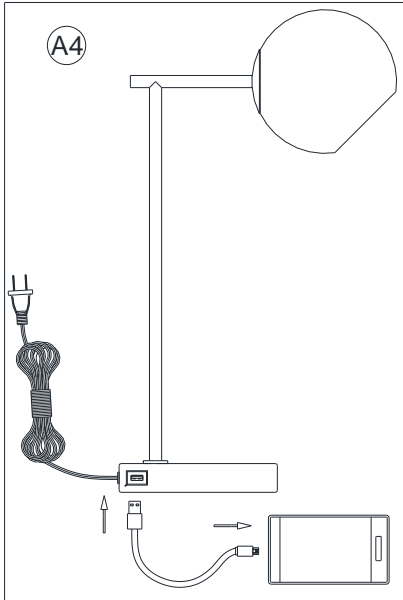
1. Unscrew the Socket Ring (A) and Spacer (B) from the Socket (D) by rotating the Socket Ring (B) in a counter-clockwise direction.



2. Attach the Glass Shade (C) onto the Socket (D). Place the Spacer (B) onto the Socket (D). Secure Glass Shade (C) and Spacer (B) by rotating the Socket Ring (A) in a clockwise direction until tight.



3. Insert the specified light bulb into the Socket (E). DO NOT EXCEED THE SPECIFIED WATTAGE.



4. Plug the power cord into the proper electrical outlet and test fixture.

Note: There is one USB Port on the fixture base, which can be used for charging USB devices (USB charging cable is not included). The output maximum is 5V/2A. Do not overcharge.

Care instructions:

- Wipe clean with a soft, dry cloth or static duster.
- Always avoid the use of harsh chemicals or abrasive cleaners as they may cause damage to the fixture's finish.

FCC COMPLIANCE:

NOTE: This equipment has been tested and found to comply with the limits for a Class B digital device, pursuant to Part 15 of the FCC Rules. These limits are designed to provide reasonable protection against harmful interference in a residential installation. This equipment generates uses and can radiate radio frequency energy and, if not installed and used in accordance with the instructions, may cause harmful interference to radio communications. However, there is no guarantee that interference will not occur in a particular installation. If this equipment does cause harmful interference to radio or television reception, which can be determined by turning the equipment off and on, the user is encouraged to try to correct the interference by one or more of the following measures:

- Reorient or relocate the receiving antenna.
- Increase the separation between the equipment and receiver.
- Connect the equipment into an outlet on a circuit different from that to which the receiver is connected.
- Consult the dealer or an experienced radio/TV technician for help.

This device complies with Part 15 of the FCC Rules. Operation is subject to the following two conditions: (1) This device may not cause harmful interference, and (2) This device must accept any interference received, including interference that may cause undesired operation. Caution: changes or modifications not expressly approved by the party responsible for compliance could void the user's authority to operate the equipment.

IC COMPLIANCE:

This Class B digital apparatus complies with CAN ICES-005 (B) / NMB-005 (B).

Thank you for your purchase
Stores | catalog | www.westelm.com
USA [888-922-4119](tel:888-922-4119)