

Important Safety Instructions:

- These instructions are provided for your safety. It is very important that they are read carefully and completely before beginning the assembly and installation of this lighting fixture.
- LED BULBS ARE NON-REPLACEABLE.
- This lamp is meant for indoor use.
- **Save these instructions.**

WARNING:

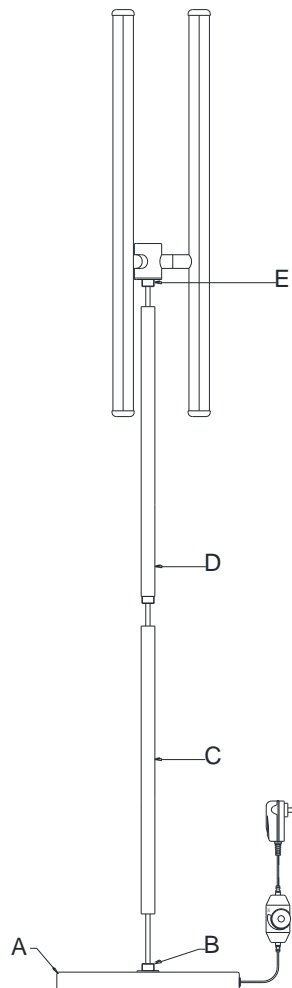
- Do not touch LED's when fixture is turned on. Do not look directly at lit LED.
- Keep flammable materials away from lit LED.
- **Do not attempt to disassemble, repair or refit the product.**

Pre-assembly:

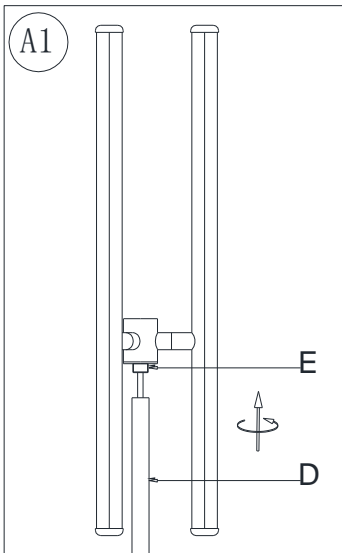
- Remove all parts and hardware from box along with any plastic protective packaging.
- Do not discard any contents until after assembly is complete to avoid accidentally discarding small parts or hardware.

Parts Included:

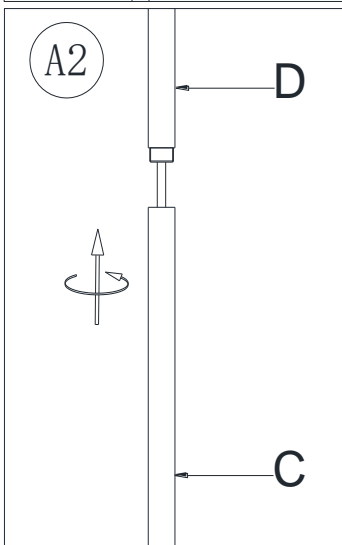
- (A) Base (1)
- (B) Threaded Nipple (1)
- (C) Lower Tube (1)
- (D) Upper Tube (1)
- (E) Light Rods Assembly (1)



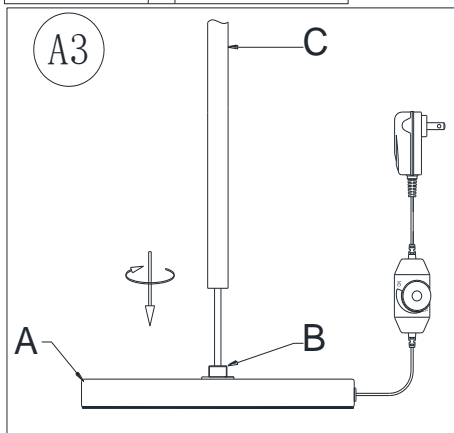
To Assemble:



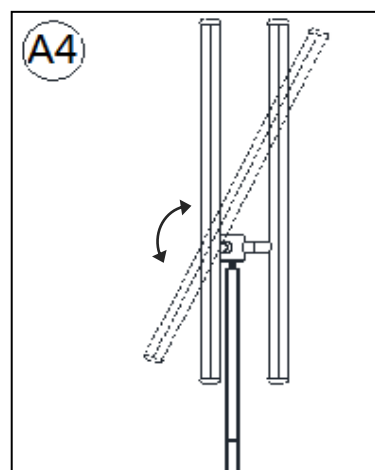
1. Attach the **Upper Tube (D)** onto the **bottom threaded end of Light Rods Assembly (E)** by rotating the **Upper Tube (D)** in a clockwise direction until tight.



2. Attach the **Lower Tube (C)** onto the **Upper Tube (D)** by rotating the **Lower Tube (C)** in a clockwise direction until tight.



3. **Gently pull and remove any slack power cord out from the Base (A).** Attach the **Lower Tube (C)** onto Thread Nipple (B) of Base (A) by rotating the **Lower Tube (C)** in a clockwise direction until tight.



4. Gently rotate the light rods to your desired angles. Do not hand on the white plastic rod part for rotating. Remove the protective film on the white plastic rod once installation done.

FCC COMPLIANCE:

NOTE: This equipment has been tested and found to comply with the limits for a Class B digital device, pursuant to Part 15 of the FCC Rules. These limits are designed to provide reasonable protection against harmful interference in a residential installation. This equipment generates uses and can radiate radio frequency energy and, if not installed and used in accordance with the instructions, may cause harmful interference to radio communications. However, there is no guarantee that interference will not occur in a particular installation. If this equipment does cause harmful interference to radio or television reception, which can be determined by turning the equipment off and on, the user is encouraged to try to correct the interference by one or more of the following measures:

- Reorient or relocate the receiving antenna.
- Increase the separation between the equipment and receiver.
- Connect the equipment into an outlet on a circuit different from that to which the receiver is connected.
- Consult the dealer or an experienced radio/TV technician for help.

This device complies with Part 15 of the FCC Rules. Operation is subject to the following two conditions: (1) This device may not cause harmful interference, and (2) This device must accept any interference received, including interference that may cause undesired operation. Caution: changes or modifications not expressly approved by the party responsible for compliance could void the user's authority to operate the equipment.

IC COMPLIANCE:

This Class B digital apparatus complies with Canadian ICES-005.

Care Instructions:

- Wipe clean with a soft, dry cloth or static duster.
- Always avoid the use of harsh chemicals or abrasive cleaners as they may cause damage to the fixture's finishing.

Thank you for your purchase
Stores | catalog | www.westelm.com
USA 888-922-4119