

Important Safety Instructions:

- These instructions are provided for your safety. It is very important that they are read carefully and completely before beginning the assembly and installation of this lighting fixture.
- This portable luminaire has a polarized plug (one blade is wider than the other) as a safety feature to reduce the risk of electric shock. This plug will fit in a polarized outlet only one way. If the plug does not fit fully in the outlet, reverse the plug. If it still does not fit, contact a qualified electrician. Never use with an extension cord unless plug can be fully inserted. Do not alter the plug. Do not attempt to defeat this safety feature.
- Light bulb should be centered inside **the** shade, making sure it does not touch the shade sides.
- This fixture has been rated for one (1) **60-watt maximum TYPE A standard incandescent light bulb** (not included) or one (1) **13-watt compact fluorescent light bulb** (not included) or one (1) **20-watt maximum SBLED light bulb** (one 9-watt SBLED bulb included). To avoid the risk of fire, do not exceed the recommended wattage.
- This lamp is meant for indoor use.
- **Save these instructions.**

WARNING:

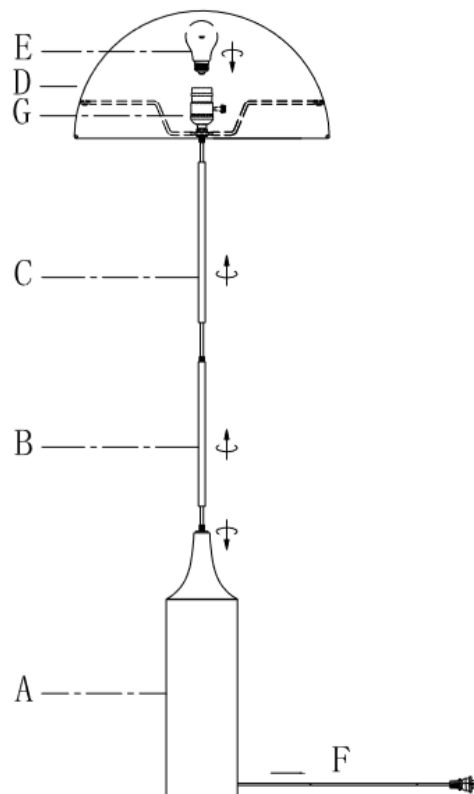
- **To reduce the risk of fire, electrical shock or personal injury, always turn off and unplug the light fixture and allow it to cool prior to replacing the light bulb.**
- **Do not touch bulb when fixture is turned on. Do not look directly at lit bulb.**
- **Keep flammable materials away from lit bulb.**

Pre-assembly:

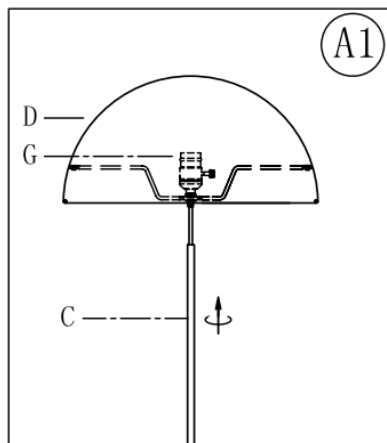
- Remove all parts and hardware from box along with any plastic protective packaging.
- Do not discard any contents until after assembly is complete to avoid accidentally discarding small parts or hardware.

Parts Included:

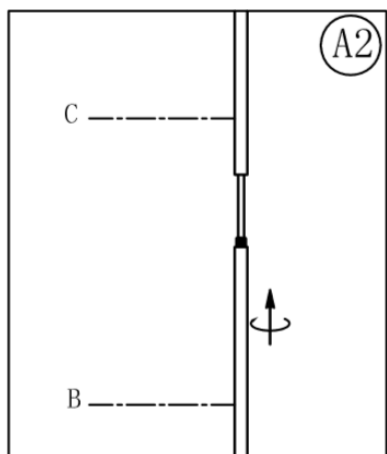
- (A) Lamp Base (1)
- (B) Lower Tube (1)
- (C) Upper Tube (1)
- (D) Metal Shade (1)
- (E) Bulb (1)
- (F) Cable (1)
- (G) Socket (1)



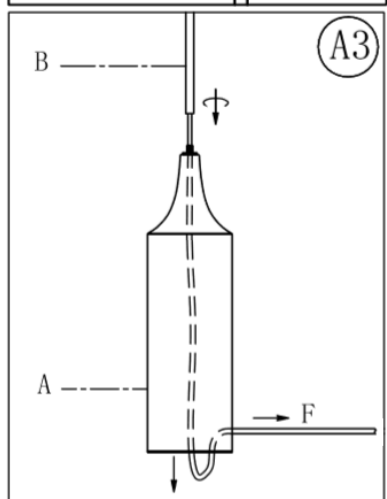
To Assemble:



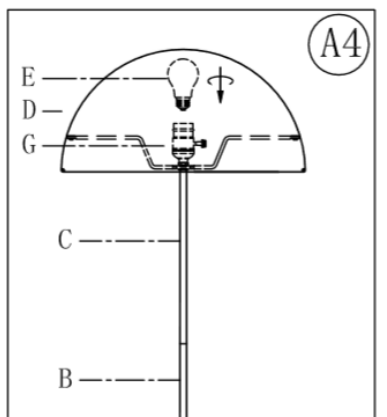
1. Screw **Upper Tube (C)** onto **the bottom threaded end** of **Socket (G)** by **turning the tube clockwise until tight**.



2. Screw **the top end of Lower Tube (B)** into **Upper Tube (C)** by **turning clockwise until tight**.



3. **Gently pull excess Cable (F)** out from **the Lamp Base (A)** as **shown** and ensure cable is not twisted. **Attach the bottom end of Lower Tube (B)** onto **the threaded nipple of the Lamp Base (A)** and turning clockwise **until tight**.



4. **Insert the specified light bulb into Socket (G)**. **DO NOT EXCEED THE SPECIFIED WATTAGE**.

Care Instructions:

- Wipe clean with a soft, dry cloth or static duster.
- Always avoid the use of harsh chemicals or abrasive cleaners as they may cause damage to the fixture's finishing.

Thank you for your purchase

