

Zenith Chandelier Assembly Instructions

CAUTION:

- **BEFORE INSTALLING FIXTURE, MAKE SURE THE POWER TO THE CIRCUIT IS TURNED OFF AT THE MAIN FUSE BOX / CIRCUIT BREAKER UTILITY BOX.**

Important Safety Instructions:

- These instructions are provided for your safety. It is very important that they are read carefully and completely before beginning the assembly and installation of this lighting fixture.
- We strongly recommend that a professional electrician install all direct wire fixtures.
- THIS PRODUCT MUST BE INSTALLED IN ACCORDANCE WITH THE APPLICABLE INSTALLATION CODES BY TWO PERSONS FAMILIAR WITH THE CONSTRUCTION AND OPERATION OF THE PRODUCT AND THE HAZARDS INVOLVED.
- The lighting fixture is meant for indoor use. It must be connected only to 3-wire, single-phase electrical supply systems (provided with Ground wire or equivalent protection system).
- For your safety, it is strongly recommended that two people install the lighting fixture.
- This fixture has been rated for up to six (6) **40-Watt maximum TYPE G standard incandescent light bulbs** (not included) **or six (6) 9-watt Self-ballasted bulbs** (not included) or six (6) **4.5-Watt maximum SBLED bulbs** (not included). To avoid the risk of fire, do not exceed the recommended lamp wattage.
- The lighting fixture is meant for indoor use, DRY LOCATIONS ONLY.
- **Save these instructions.**

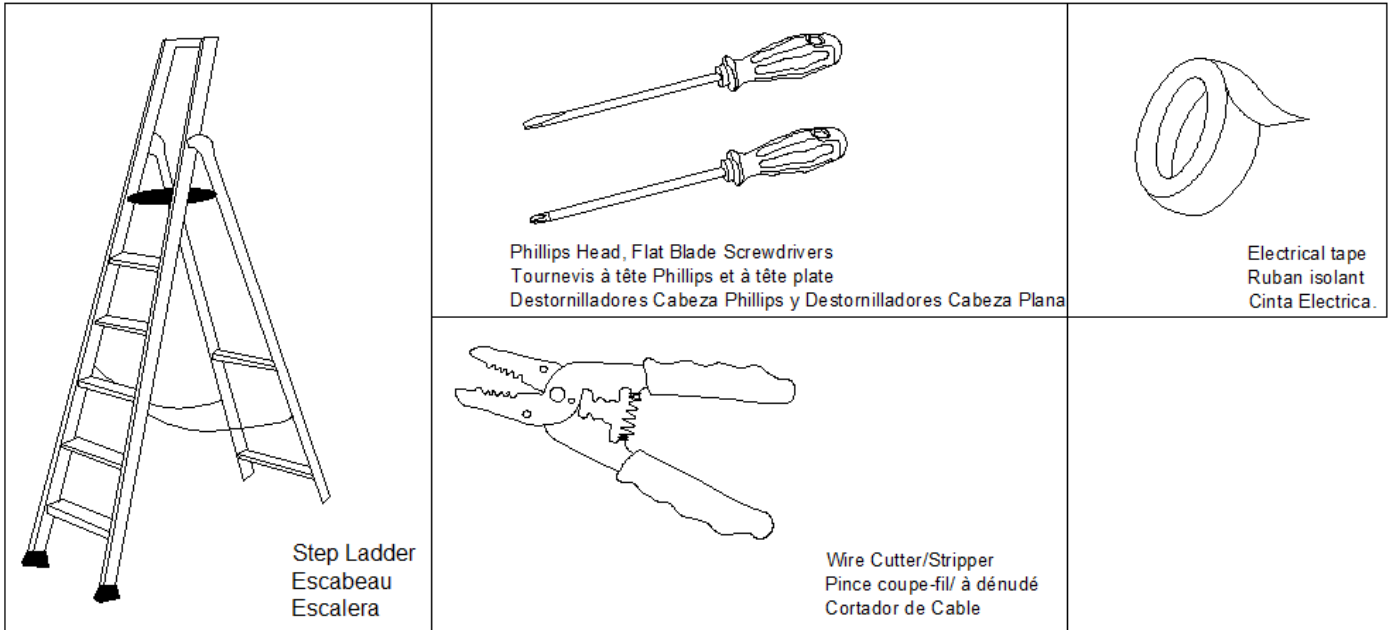
WARNING:

- **To reduce the risk of fire, electrical shock or personal injury, always turn off light fixture and allow it to cool prior to replacing light bulb.**
- **Do not touch bulb when fixture is turned on. Do not look directly at lit bulb.**
- **Keep flammable materials away from lit bulb.**
- **This lighting fixture contains lead, a chemical known to the State of California to cause cancer, birth defects and other reproductive harm. Wash hands after installing, handling, cleaning or otherwise touching this light fixture.**

Pre-assembly:

- Remove all parts and hardware from box along with any plastic protective packaging.
- Do not discard any contents until after assembly is complete to avoid accidentally discarding small parts or hardware.
- For your safety, it is strongly recommended that two people install the lighting fixture.

TOOLS REQUIRED (not included):



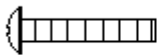



Parts Included:

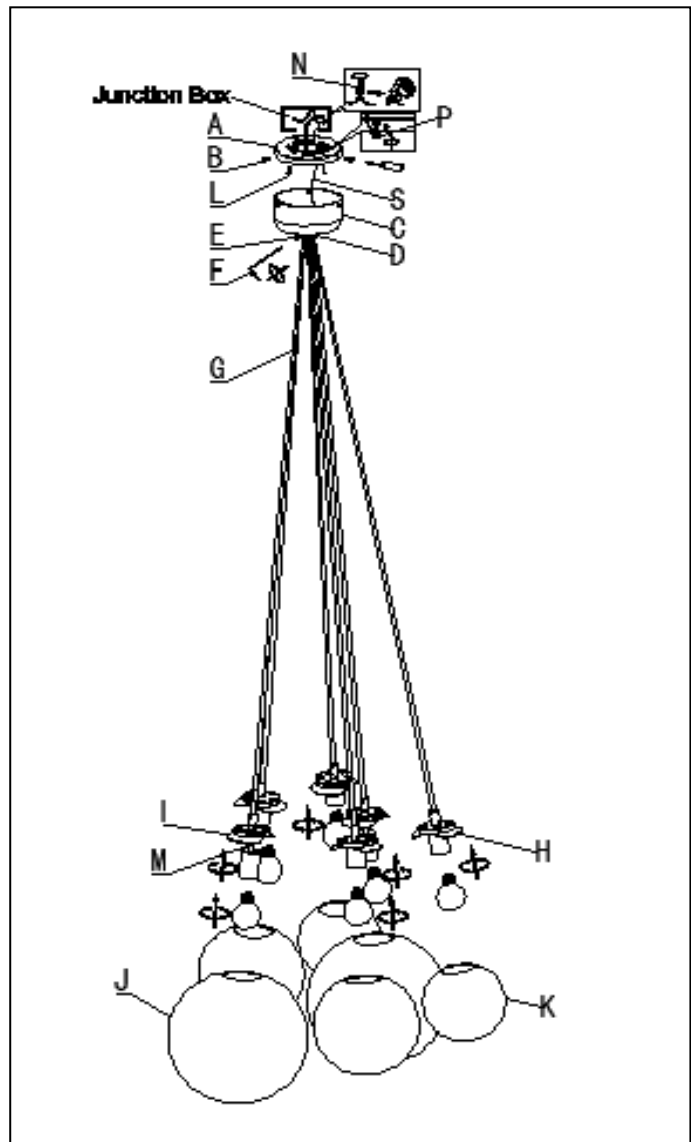
- (A) Mounting Plate (1)
- (B) Canopy Screw (3)
- (C) Canopy (1)
- (D) Strain relief (1)
- (E) Plastic fix screws (6)
- (G) Power cords (6)
- (H) Small glass clamp (4)
- (I) Large glass holder (2)
- (J) Large glass (2)
- (K) Small glass (4)
- (M) Stem (2)

Hardware Enclosed:

- (L) Mounting Screws (2)
- (N) Plastic Wire Nut Connectors (3)
- (P) Green Ground Screw (1)

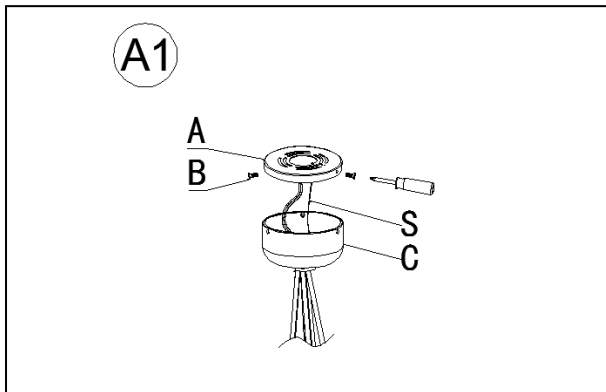
(F) Allen key (1)

<p>L </p> <p>x2</p>	<p>N </p> <p>x3</p>
<p>P </p> <p>x1</p>	<p>F </p> <p>x1</p>

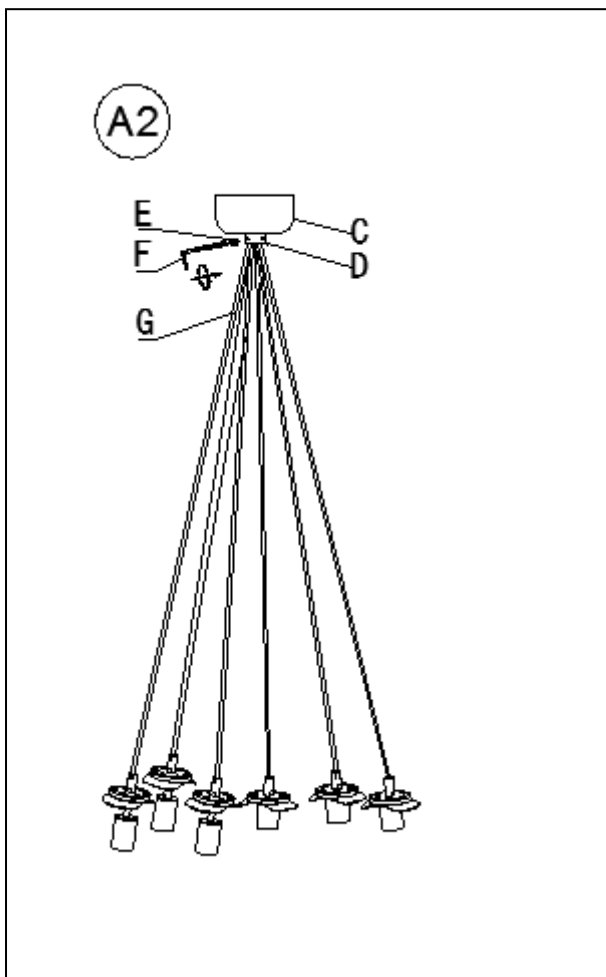


To Adjust The Suspension Length Of The Fixture:

Note: The adjustment or shortening of the lighting fixture's suspension length is only needed if the factory set length is not appropriate for your installation. Determine the lighting fixture suspension length from the ceiling for the product installation, allowing the extra cord length for the outlet junction box wire connections as noted below.



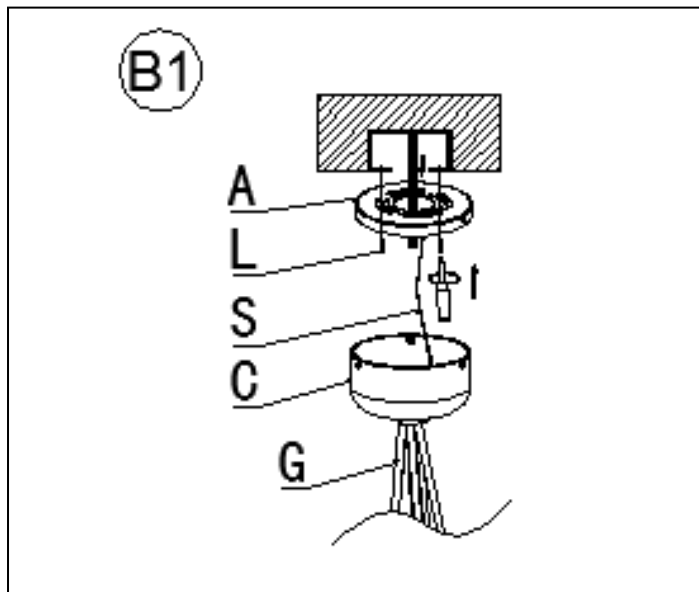
1. Separate the Mounting Plate (A) from the Canopy (C) by removing the 3 Canopy Screws (B). Do not discard the Canopy Screws (B) as these will be used later.



2. Loosen the Plastic Fix Screws(E) from the Strain Reliefs (D) using a Allen key (F) by turning counter-clockwise. Adjust the Power Cords (G) upwards or downwards through the Canopy (C) until a new desired suspension length is determined. Secure the Power Cord (G) in place by tightening the Plastic Fix Screws(E) onto the Strain Reliefs (D). Do not over tighten the screw, making sure the Power Cord (G) will not slip downwards with the pendant body.

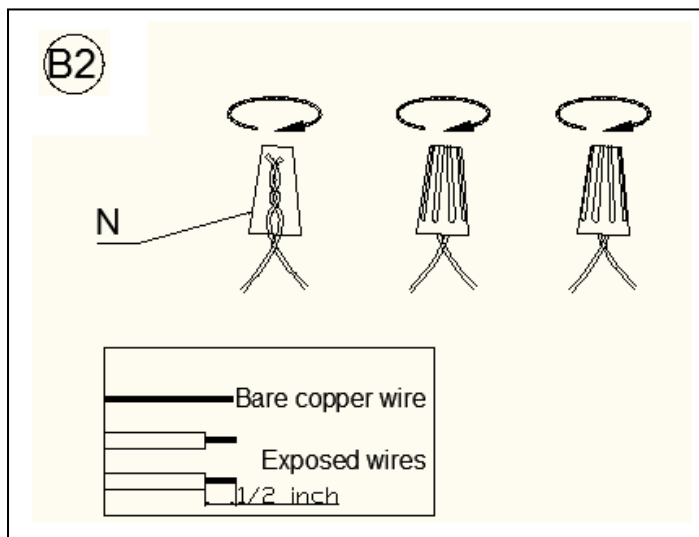
Assembly & Installation Instructions:

- SHUT OFF THE MAIN ELECTRICAL SUPPLY FROM THE MAIN FUSE BOX/CIRCUIT BREAKER.
- Carefully unpack all fixture parts and hardware and lay them on a clear workspace.

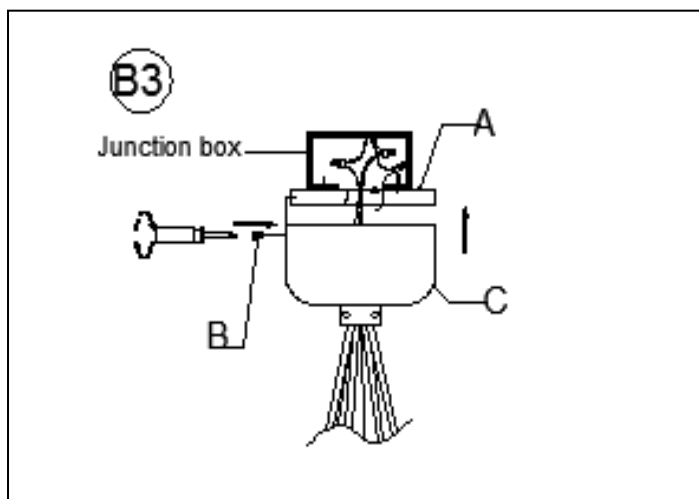


Note: If there is no need to change the length of power cord (G), then follow Step A1 to separate the Mounting plate (A) and Canopy (C).

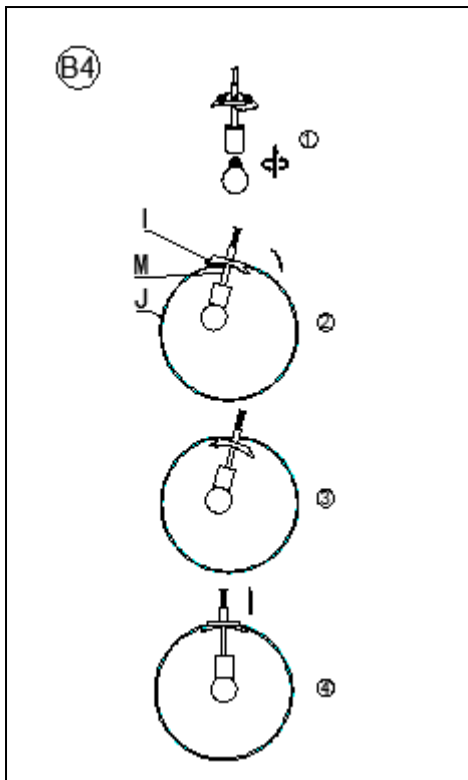
1. Insert the J-box wires through the center opening of the Mounting Plate (A). Attach the Mounting Plate (A) to the junction box using the two Mounting Screws (L). Tighten each screw clockwise until the Mounting Plate (A) is firmly secured to the J-Box. Then the steel wire (S) can hang up the fixture securely.



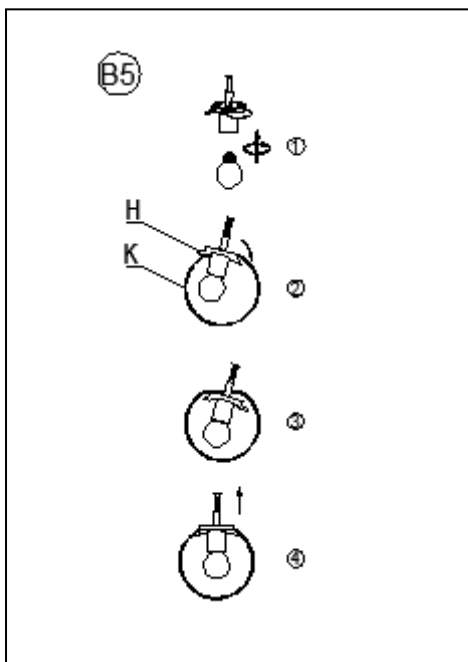
2. Please read the section "To Make the Wire connections" below.



3. With the help of another people to hold the weight of the light fixture, Raise the Canopy (C) up over the Mounting Plate (A). Align the holes on the Mounting Plate (A) with the holes on the side of the Canopy (C). Insert the 3 Canopy Screws (B) and tighten with a screwdriver in clockwise direction until tight.



4. Insert the specified light bulb into the socket. DO NOT EXCEED THE SPECIFIED WATTAGE. Insert the stem(M) into the large glass(J) in a slant angle. And make sure the stem(M) to hold large glass (J) in place.

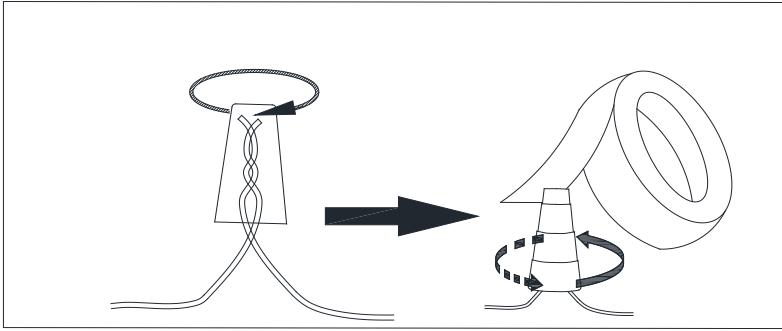


5. Insert the specified light bulb into the socket. DO NOT EXCEED THE SPECIFIED WATTAGE. Insert the small glass clamp(H) into the small glass(K) in a slant angle. And make sure the small glass clamp(H) to hold **small** glass (K) in place.

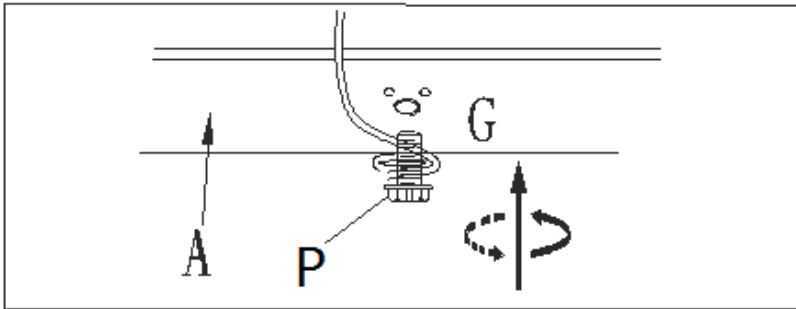
To Make the Wire Connections:

1. Gently pull the wiring from the ceiling junction box and allow wires to hang. The HOT or LIVE wire is usually black. The NEUTRAL wire is usually white. Check to see if there is a ground wire that is usually green or green with a yellow stripe or exposed copper metal wire. If needed, use a pair of wire strippers to remove about 1/2 inch of insulation from each wire.
2. Carefully inspect the fixtures wires. The NEUTRAL FIXTURE WIRE is White. The HOT FIXTURE WIRE is Black. The BARE COPPER WIRE is the GROUND WIRE. If you have any doubt and cannot identify the power-supply wires with confidence, then we recommend that you ask an electrician and that you not continue with the installation.

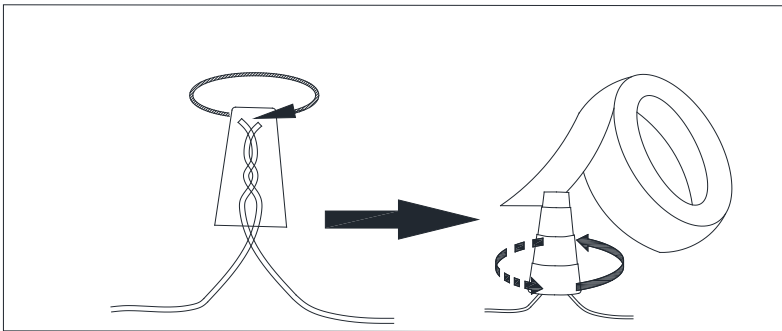
3. With the help of another person to hold the weight of the fixture, attach the fixture wires to the junction box wires as shown in the illustrations.



Connect the GROUND FIXTURE WIRE to the GROUND J-BOX WIRE using the Plastic Wire Nut Connector (N) and wrap the connection with electrical tape. Be sure that no wire strands are exposed.



If the junction box DOES NOT have a GROUND WIRE, wrap the fixture's ground wire around the Green Ground Screw (P) and insert the screw into the Mounting Plate (A), marked as "G", and tighten screw to secure the wires.



Connect the NEUTRAL FIXTURE WIRE to the NEUTRAL J-BOX WIRE first and then connect the HOT FIXTURE WIRE to the HOT J-BOX WIRE using the Plastic Wire Nut Connectors (N). Wrap these connections with electrical tape. Be sure that no wire strands are exposed.

NOTE:

IT IS IMPERATIVE THAT THE JUNCTION BOX IN YOUR HOME BE PROPERLY GROUNDED!

DO NOT REVERSE THE HOT AND NEUTRAL CONNECTIONS OR SAFETY WILL BE COMPROMISED.

4. Check the wiring connections and if all looks good, gently tuck the wire connections neatly into the junction box.

Care instructions:

- Wipe clean with a soft, dry cloth or static duster.
- Always avoid the use of harsh chemicals or abrasive cleaners as they may cause damage to the fixture's finish.

Thank you for your purchase
Stores | catalog | www.westelm.com
USA [888-922-4119](tel:888-922-4119)