

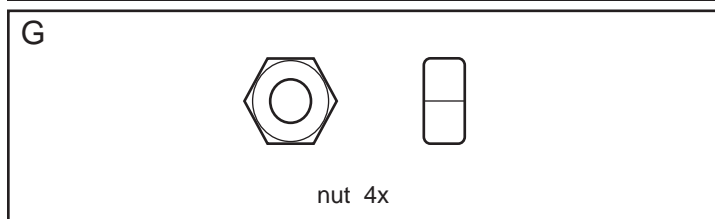
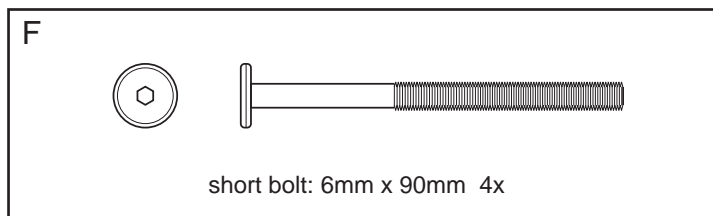
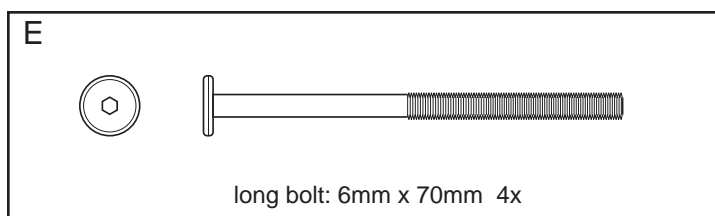
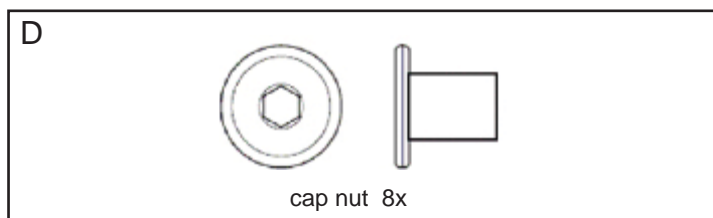
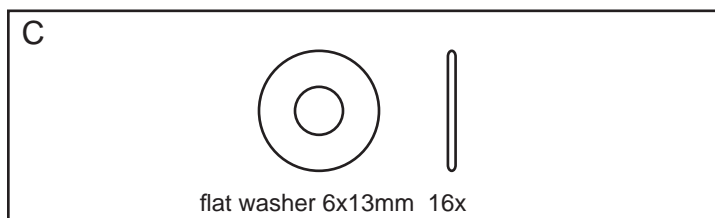
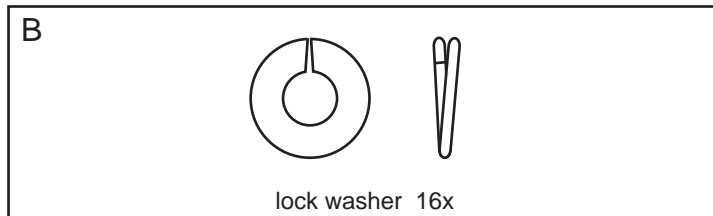
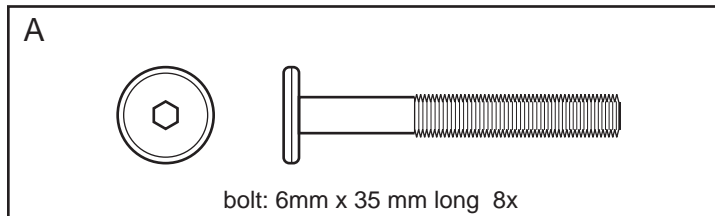
! Tools supplied:

! Do not throw away packaging materials until assembly is complete.

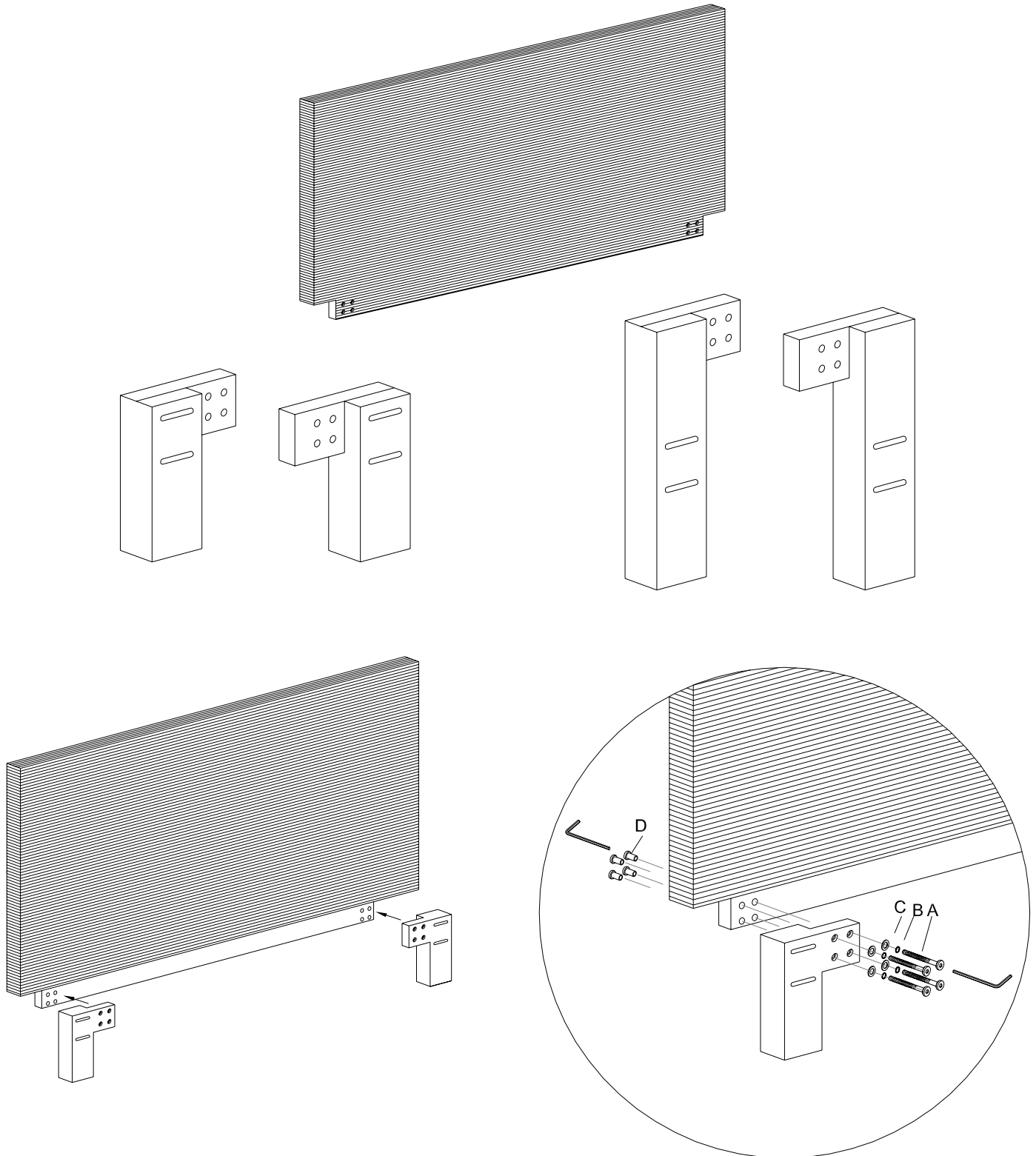
! Assemble this item on a soft surface, such as cardboard or carpet, to protect finish.

! Proper assembly of this item requires 2 people.

Hardware

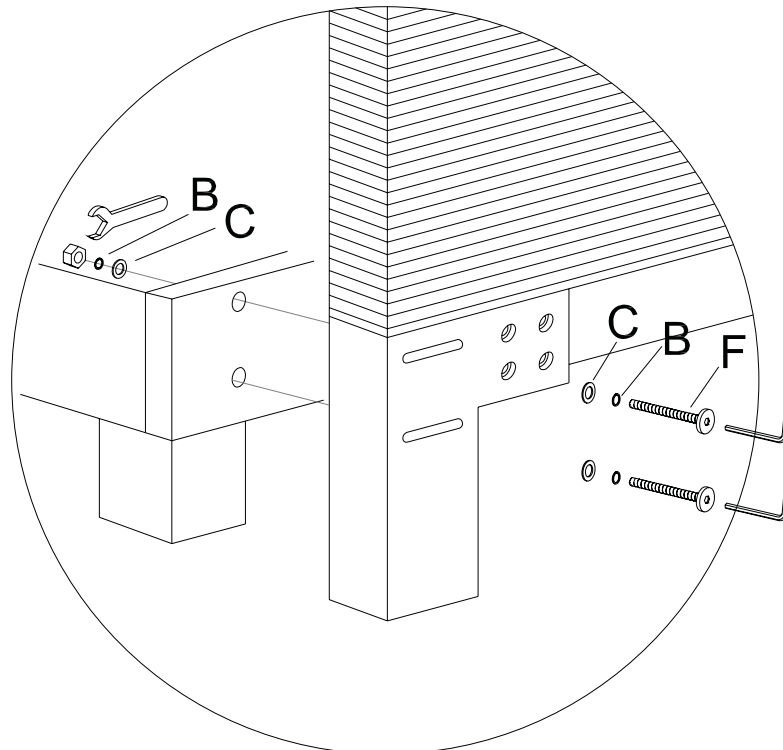
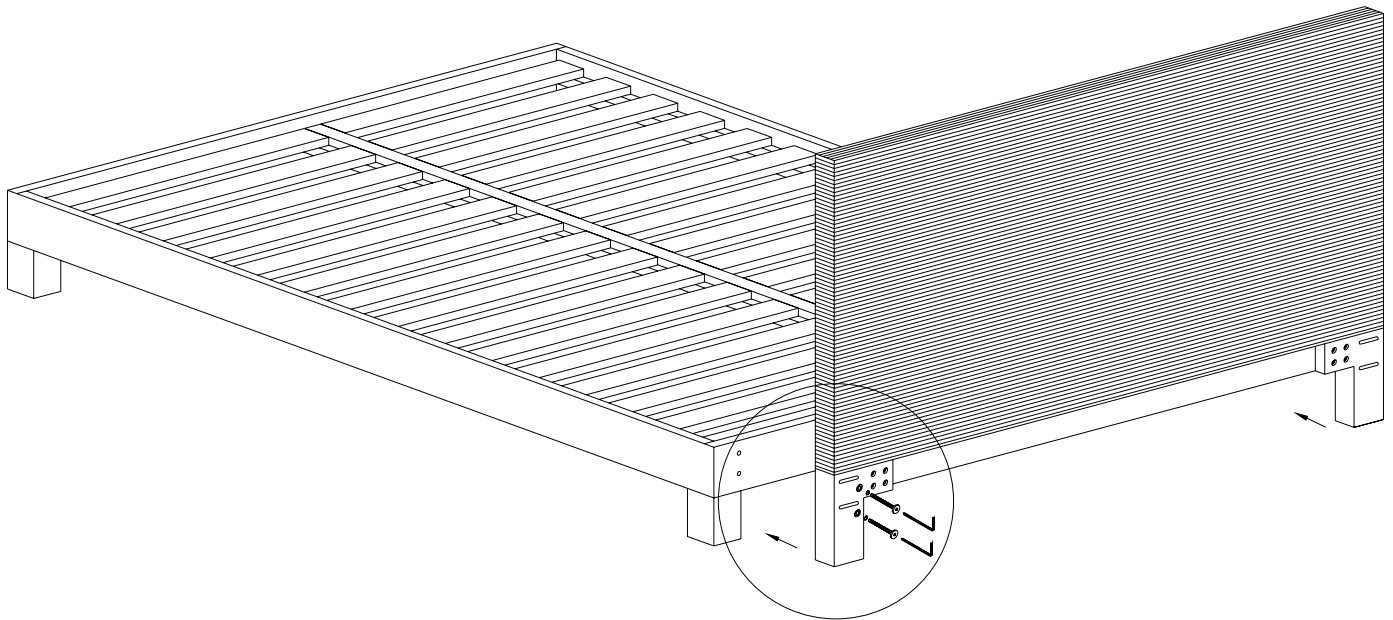


1. Choose the legs that match your bedframe. Fasten legs to the headboard using bolt (A), lock washer (B), metal washer (C), and cap nuts (D). Tighten with supplied allen key.



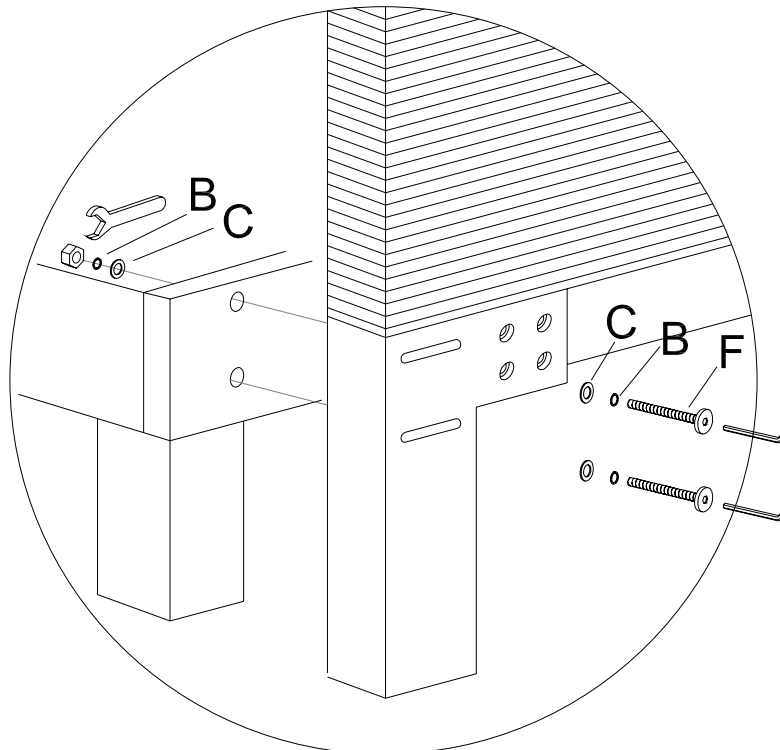
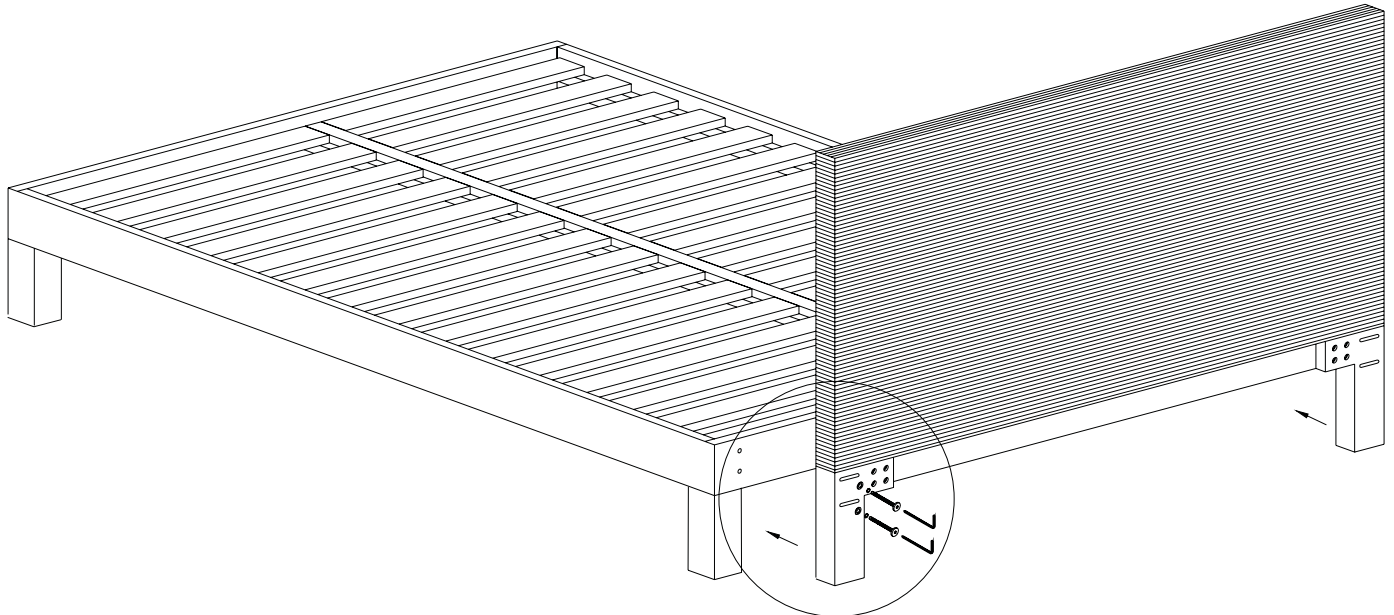
Attaching the headboard to the west elm wood bed frame.

1. Fasten legs to the headboard using bolt (F), lock washer (B), metal washer (C), and nuts (G). Tighten with supplied allen key.



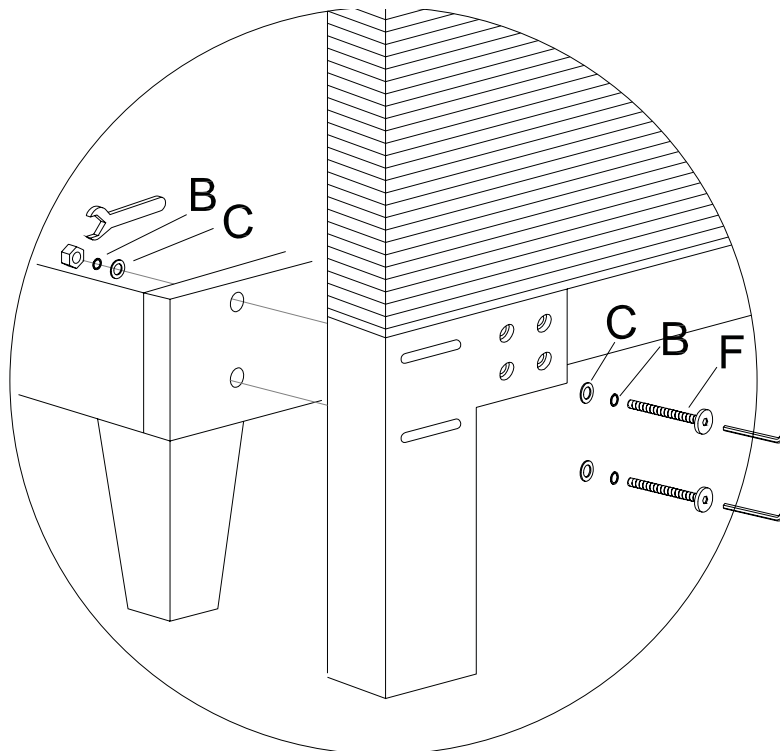
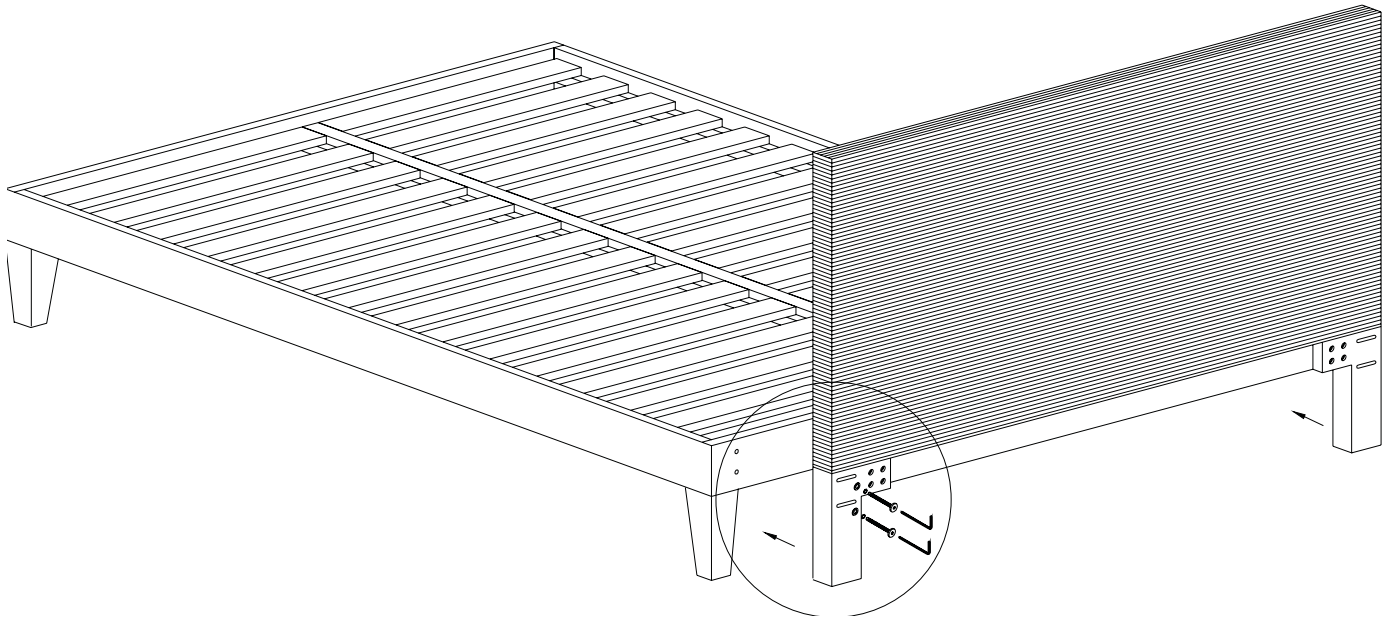
Attaching the headboard to the tall wood bed frame.

1. Fasten legs to the headboard using bolt (F), lock washer (B), metal washer (C), and nuts (G). Tighten with supplied allen key.



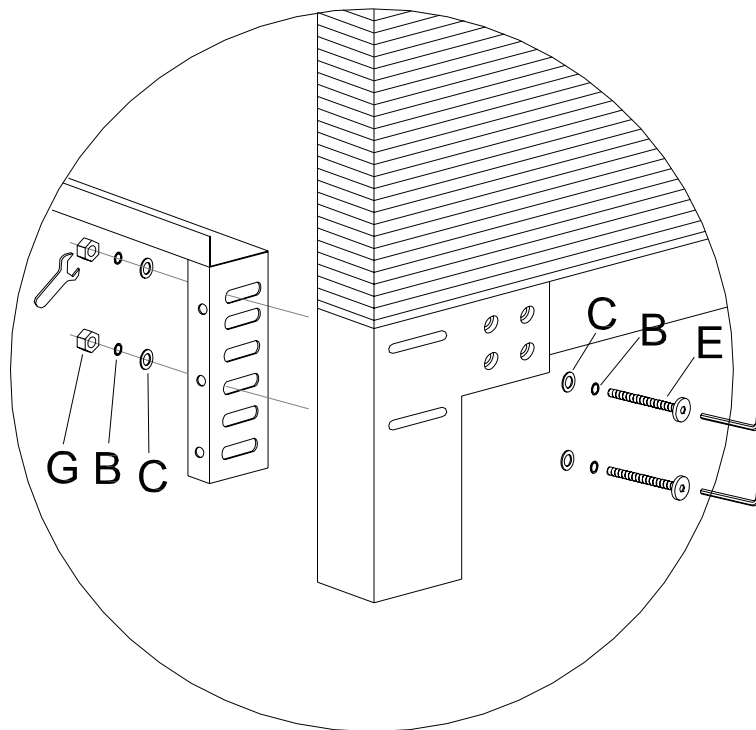
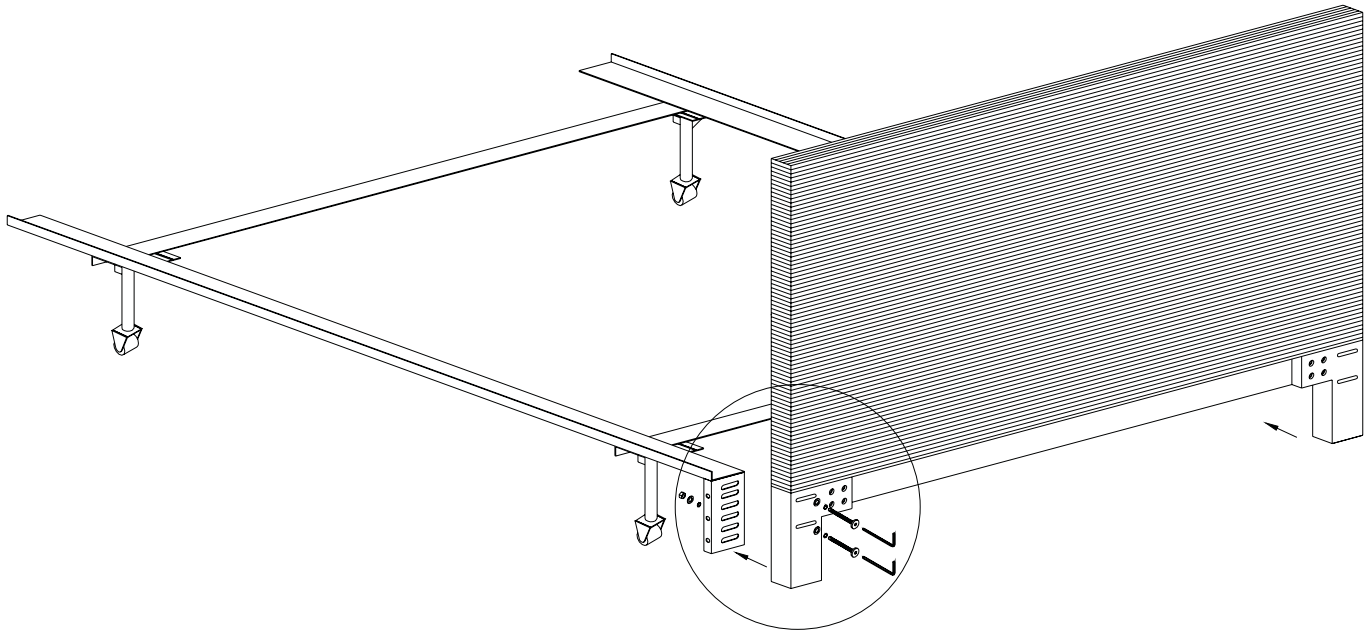
Attaching the headboard to the narrow leg bed frame.

1. Fasten legs to the headboard using bolt (F), lock washer (B), metal washer (C), and nuts (G). Tighten with supplied allen key.



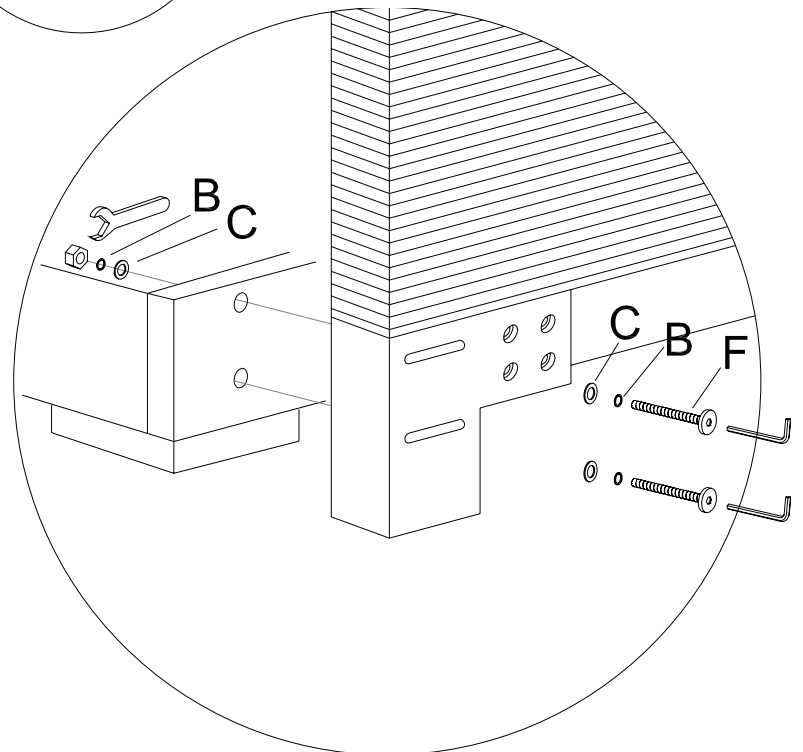
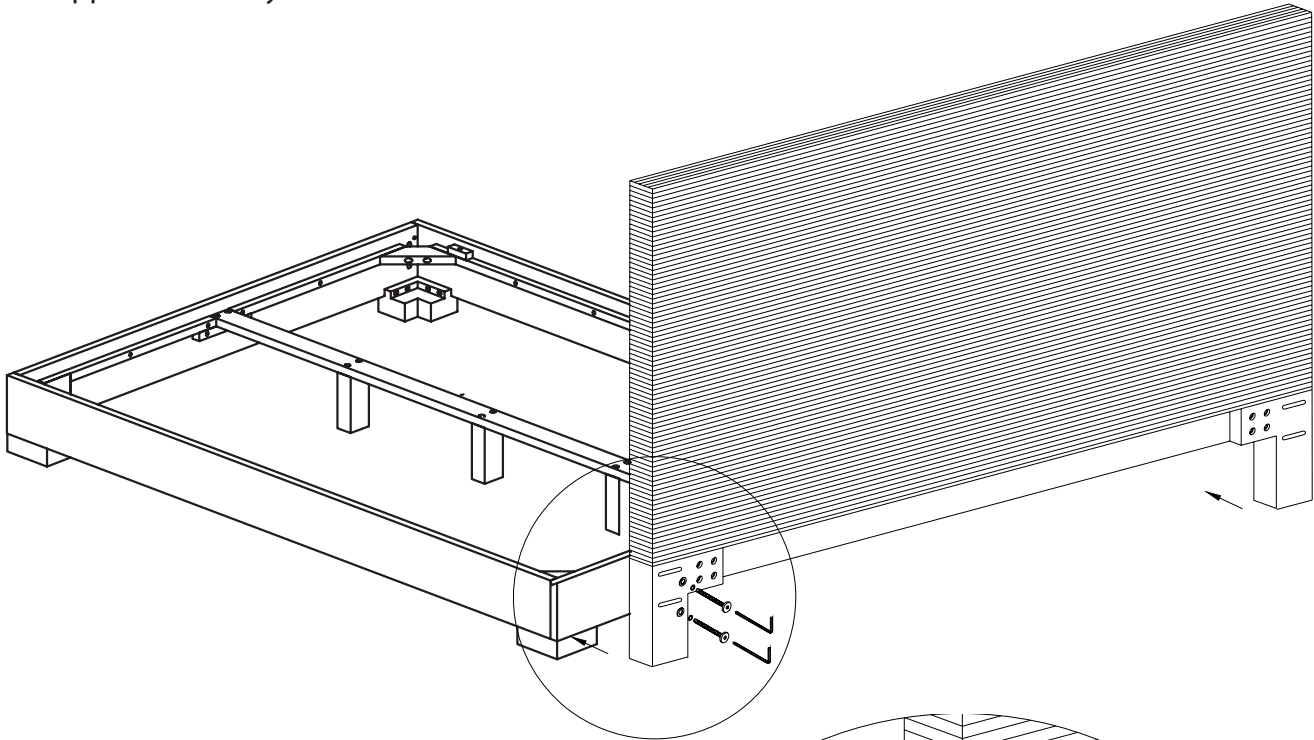
Attaching headboard to metal bed frame for boxspring and mattress.

1. Align hardware bolt (E), lock washer (B), flat washer (C) and nut (G) as shown and tighten with supplied tools.



Attaching the headboard to the chunky wood bed frame.

1. Fasten legs to the headboard using bolt (F), lock washer (B), metal washer (C), and nuts (G). Tighten with supplied allen key.



CARE INSTRUCTIONS

Hardware may loosen over time. Periodically check that all connections are tight.

Wipe with a soft, dry cloth. To protect finish, avoid the use of chemicals and household cleaners.