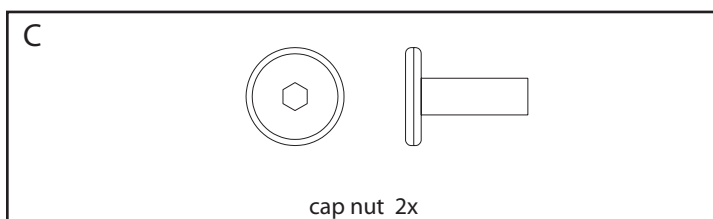
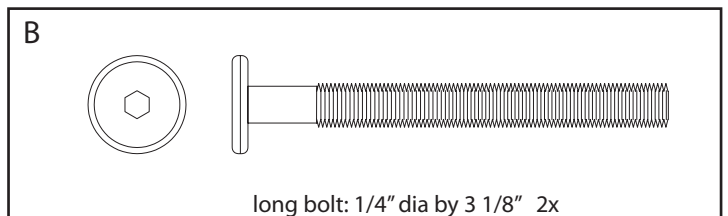
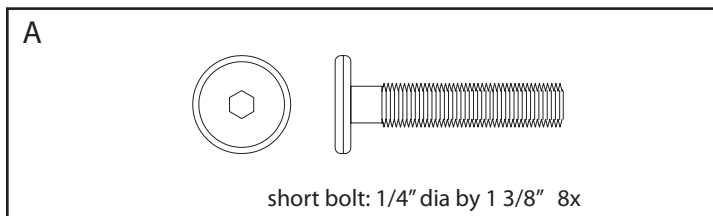




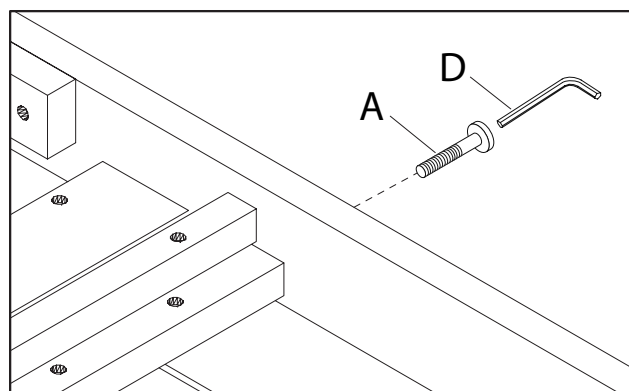
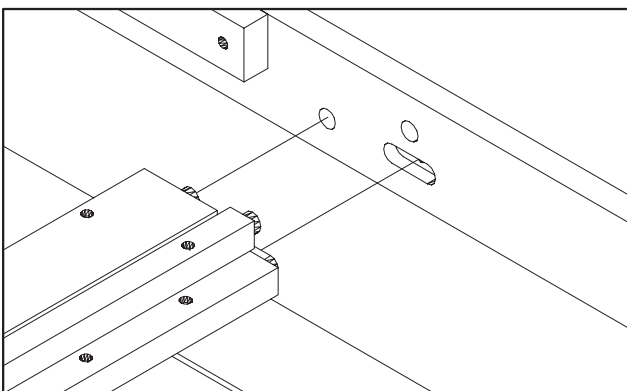
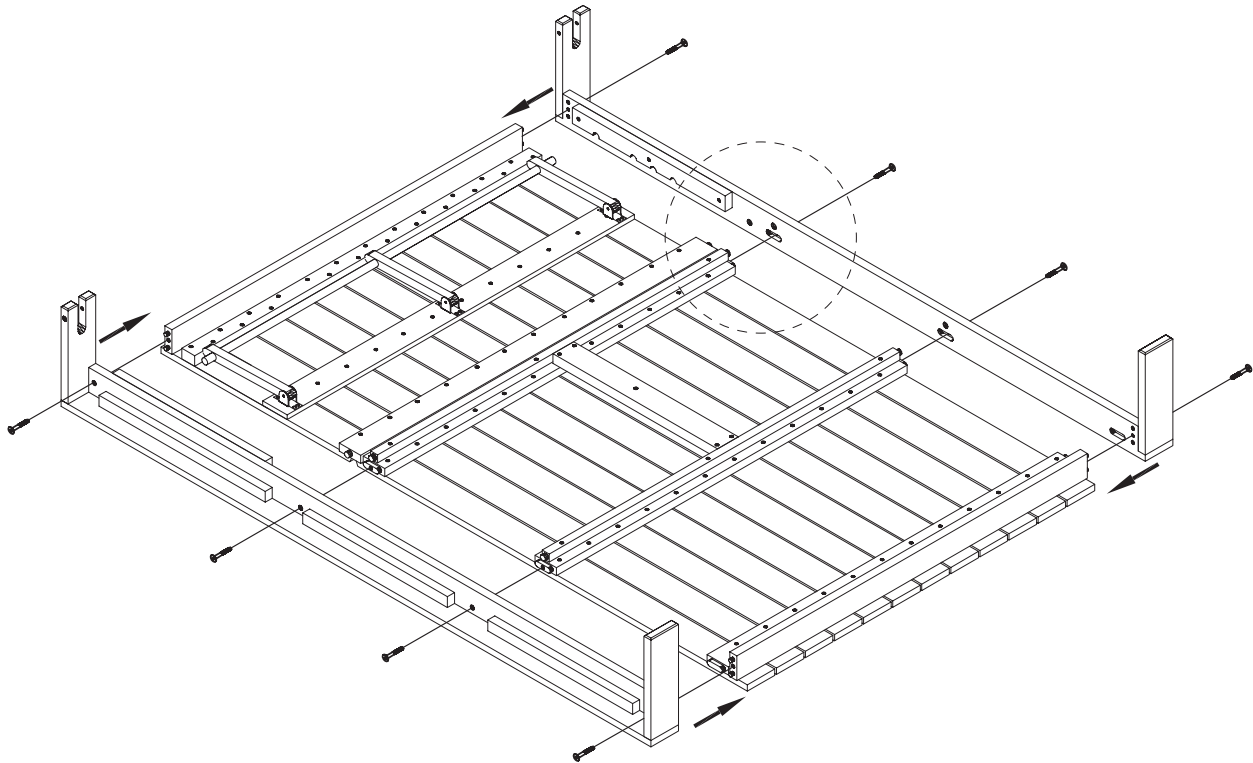
! Do not throw away packaging materials until assembly is complete.

! Assemble this item on a soft surface, such as cardboard or carpet, to protect finish.

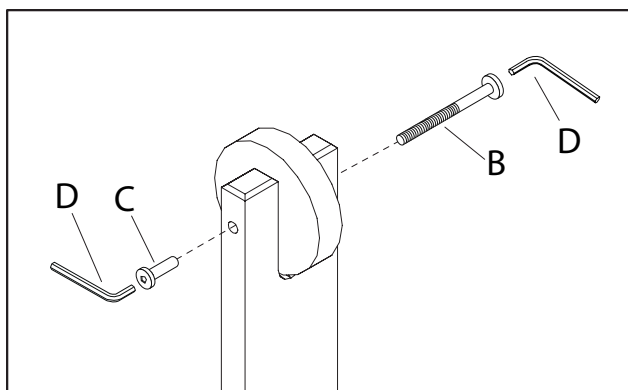
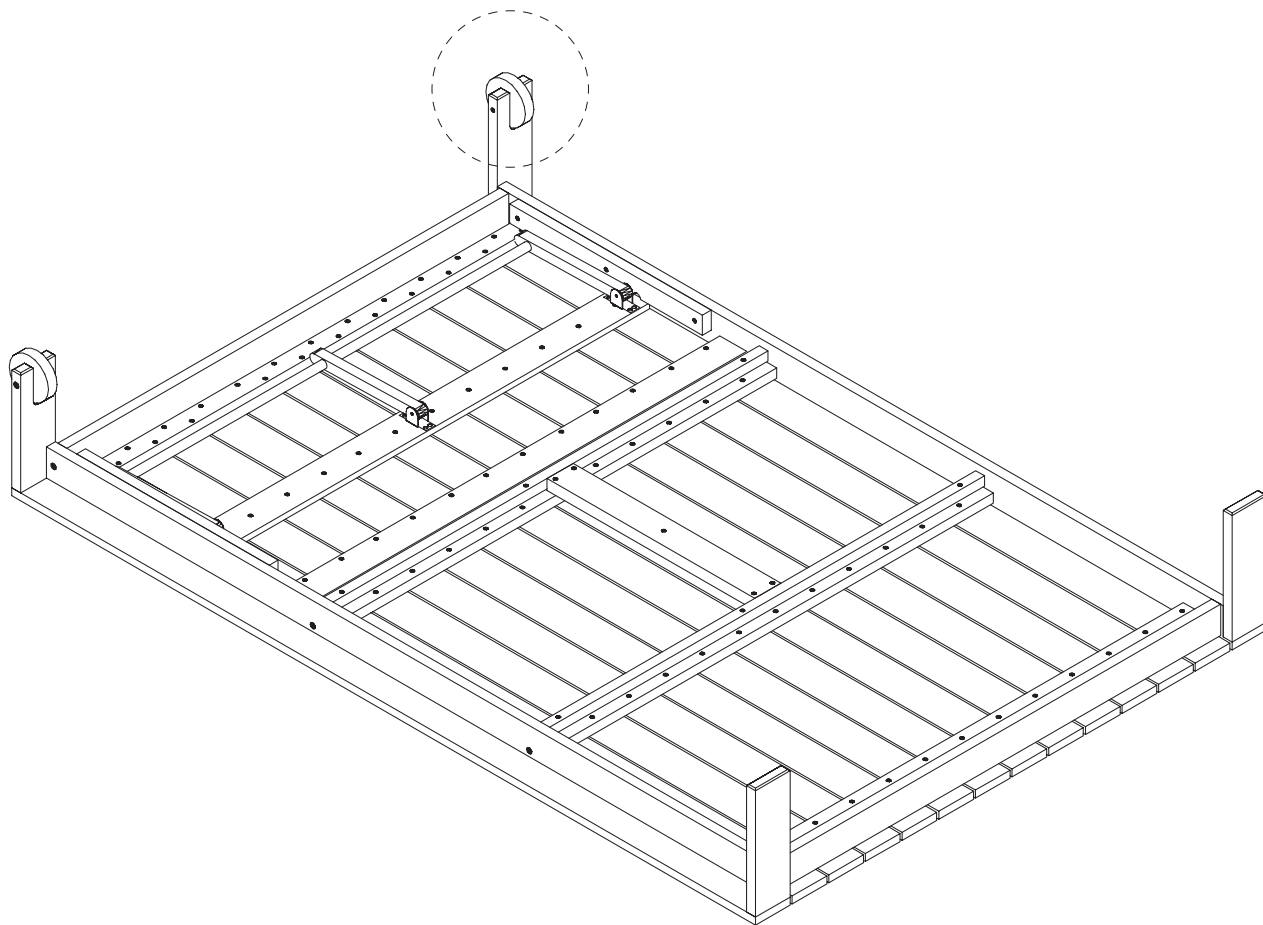
! Proper assembly of this item requires 2 people.



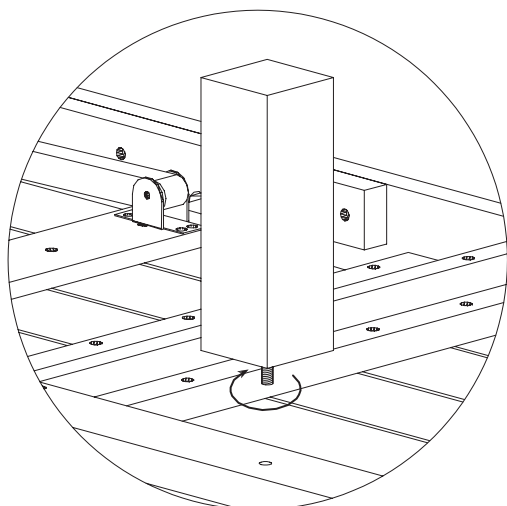
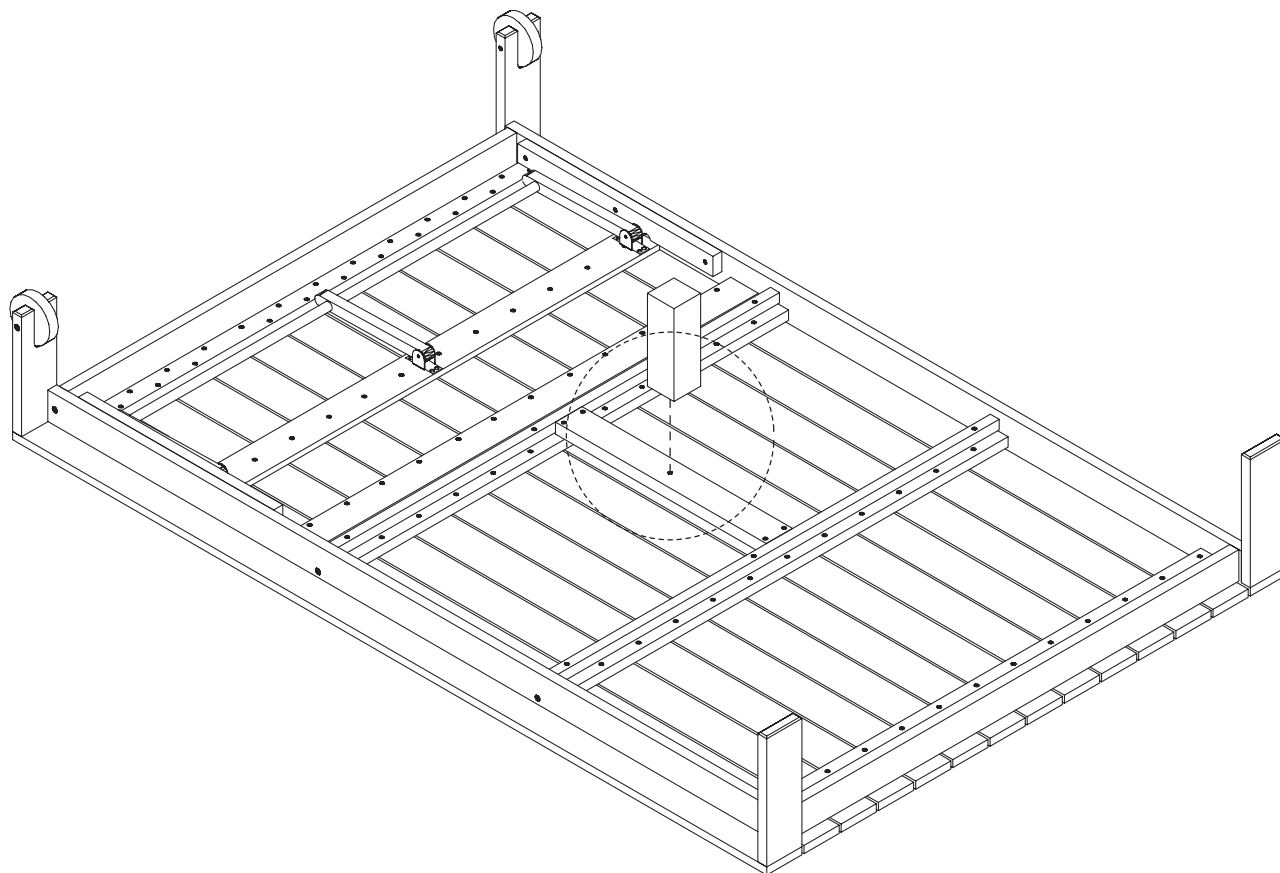
1. Attach legs by aligning dowels on seat with holes in leg.
2. Insert short bolts (A) into holes as shown. Tighten with allen key (D).



3. Attach wheels by inserting long bolts (B) and cap nuts (C) into holes as shown. Tighten with 2 allen keys (D).



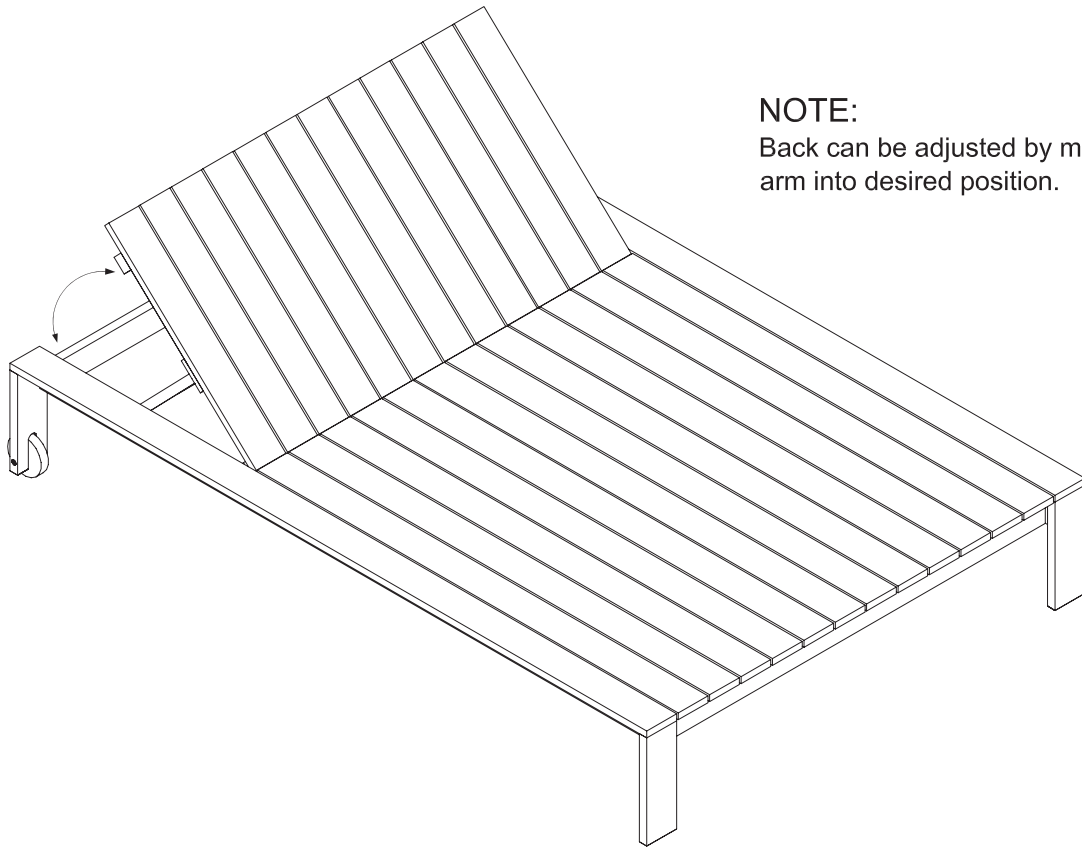
4. Attach the center leg by turning it clockwise.



west elm

wood slat double lounger

assembly instructions



NOTE:

Back can be adjusted by moving arm into desired position.

CARE INSTRUCTIONS

Wipe with a soft, dry cloth. To protect finish, avoid the use of chemicals and household cleaners.