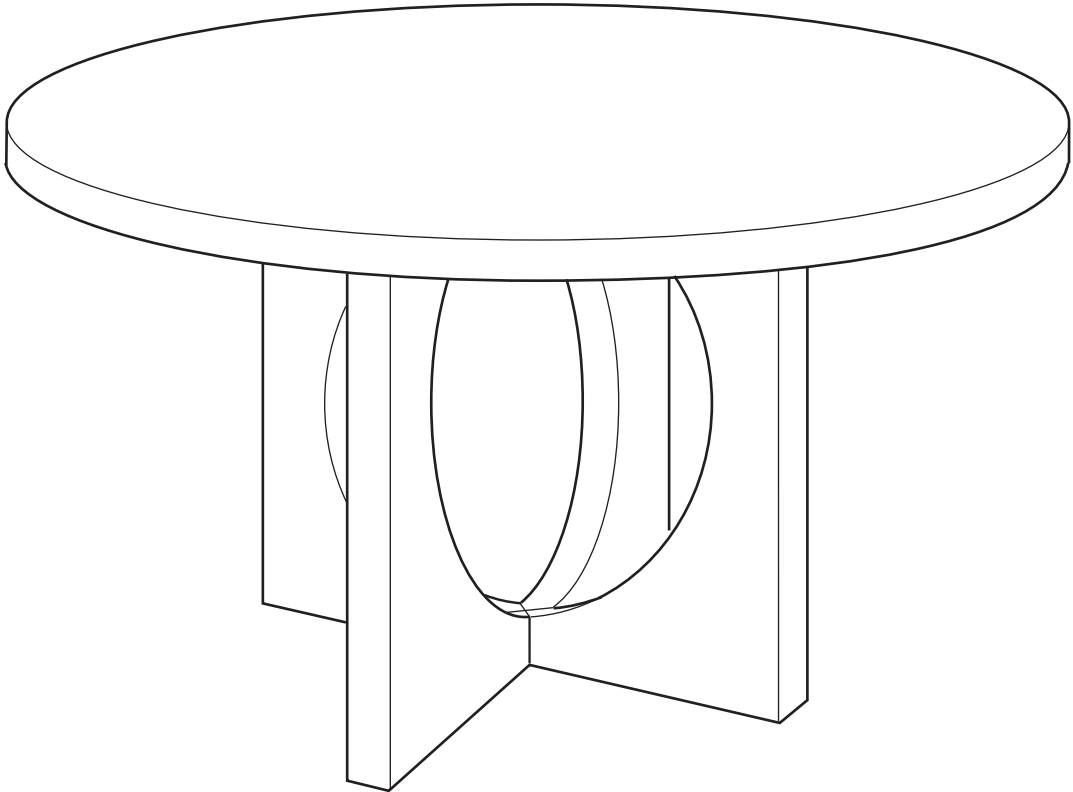
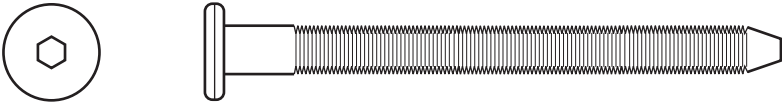

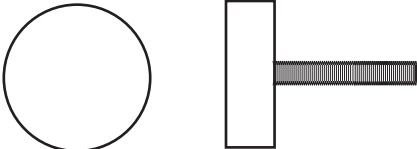


# west elm: round table with circle cutout

assembly instructions



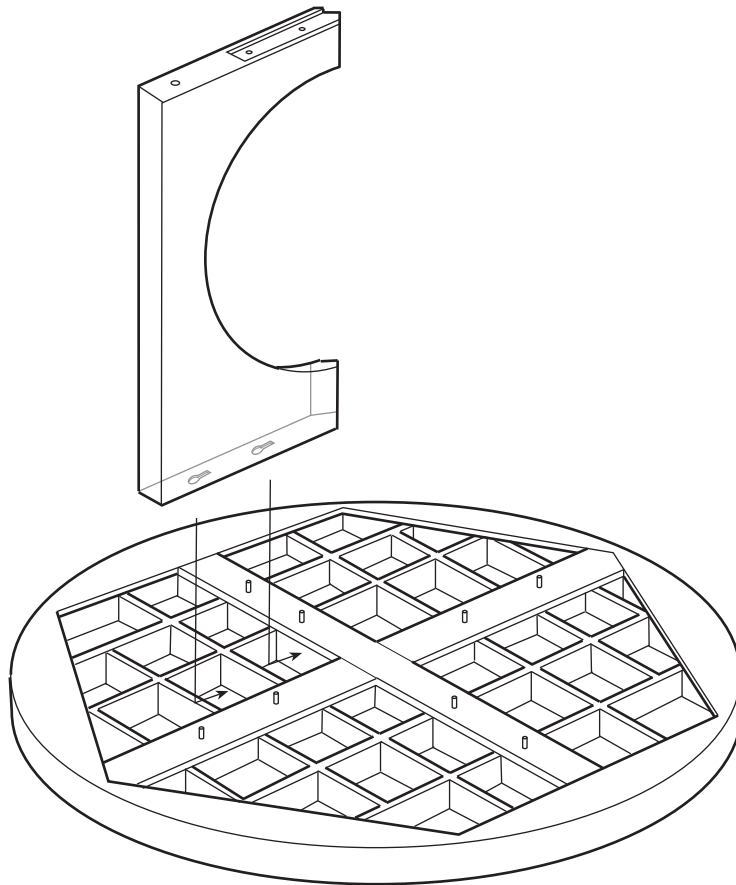
- ! Do not throw away packaging materials until assembly is complete.
- ! Proper assembly of this table requires 2 people.
- ! Assemble this item on a soft surface, such as cardboard or carpet, to protect the finish.

<p>A</p>  <p>bolt: 1/2"DIA x 2 1/2" 8x</p>	
<p>B</p>  <p>allen key 1x</p>	<p>C</p>  <p>adjustable foot 4x</p>

# west elm: round table with circle cutout

## assembly instructions

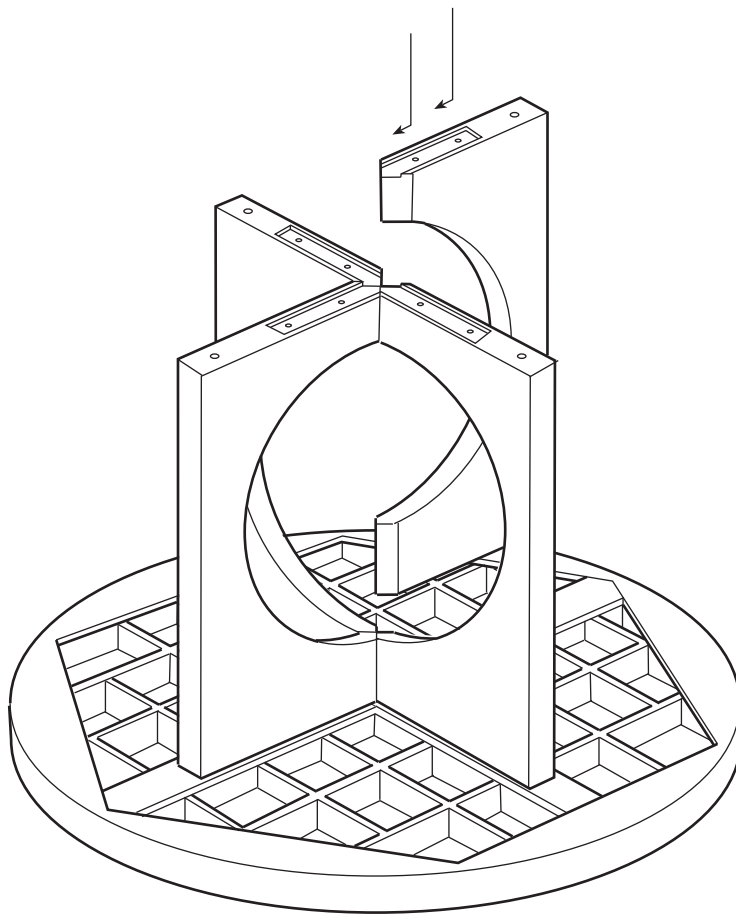
1. Carefully lay tabletop upside down on a soft surface.
2. Insert the pegs on the bottom side of the tabletop into the track on the top of one of the legs and slide the leg towards the center of the table to secure the leg.



# west elm: round table with circle cutout

assembly instructions

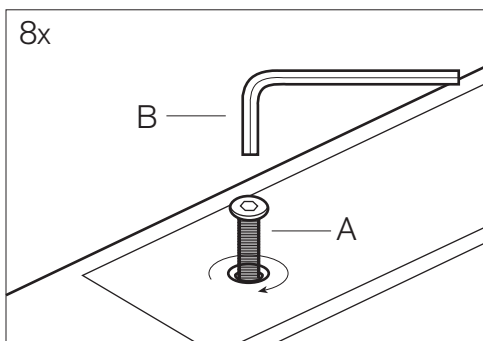
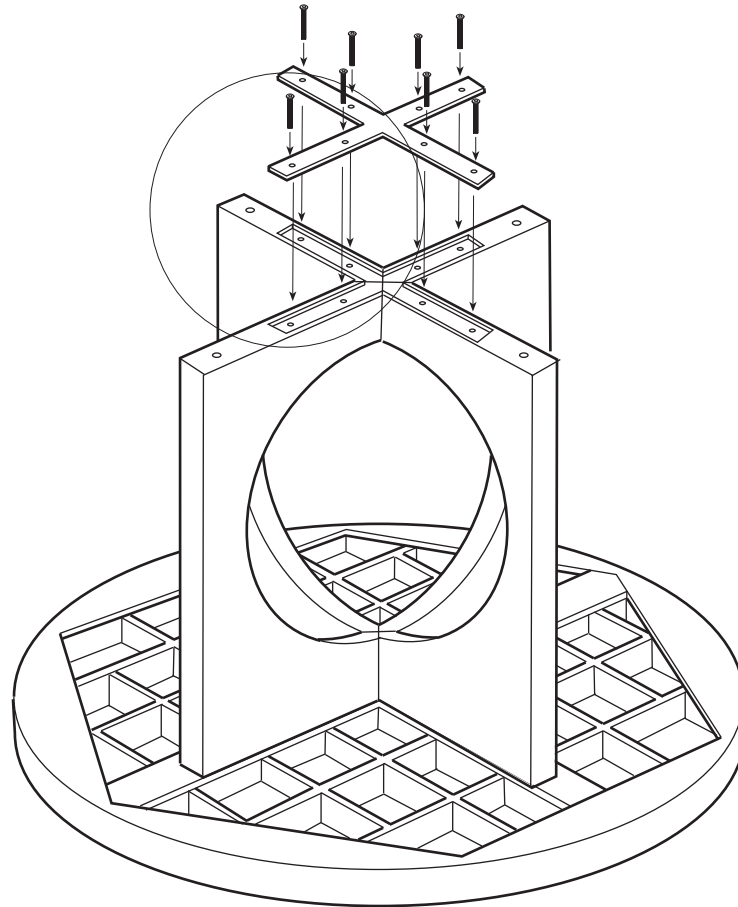
3. Repeat step 2 with the other three legs.



# west elm: round table with circle cutout

## assembly instructions

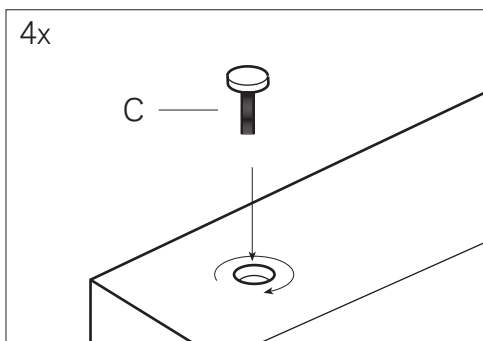
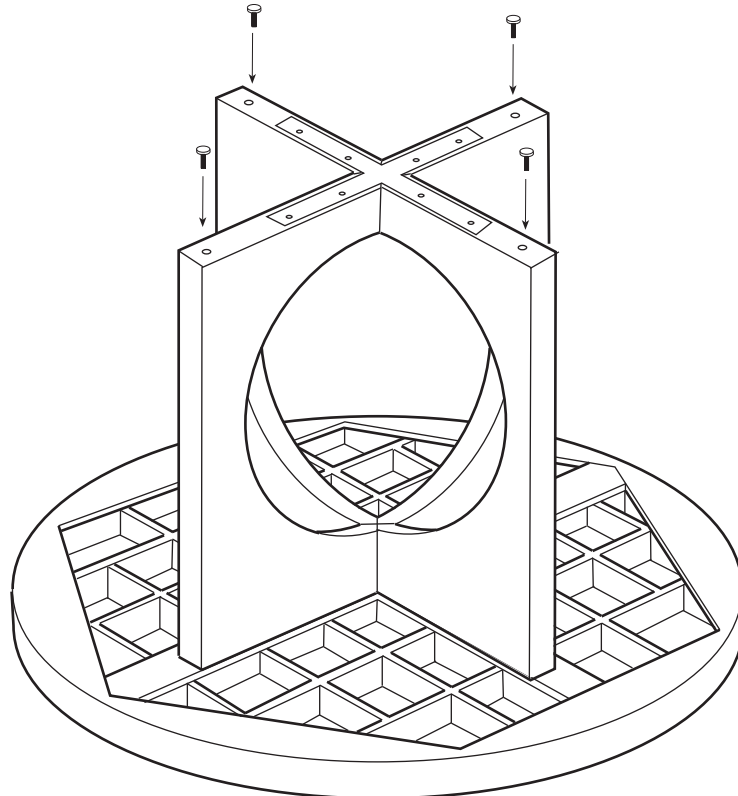
4. Insert cross plate into place on the bottom of the legs and attach by screwing bolts (A) through the cross plate and into predrilled holes on the bottom of the legs. Tighten with Allen key (B).



# west elm: round table with circle cutout

## assembly instructions

5. Screw adjustable feet (C) into holes at the ends of the bottom of the legs as shown and adjust as needed.



CARE INSTRUCTIONS. Hardware may loosen over time. Periodically check that all connections are tight.

Wipe with a soft, dry cloth. To protect the finish, avoid the use of all chemicals and household cleaners.