

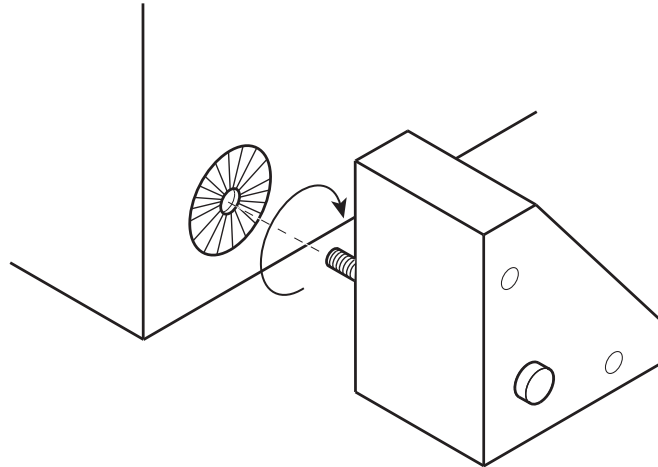
west elm : goodwin upholstery collection

assembly instructions

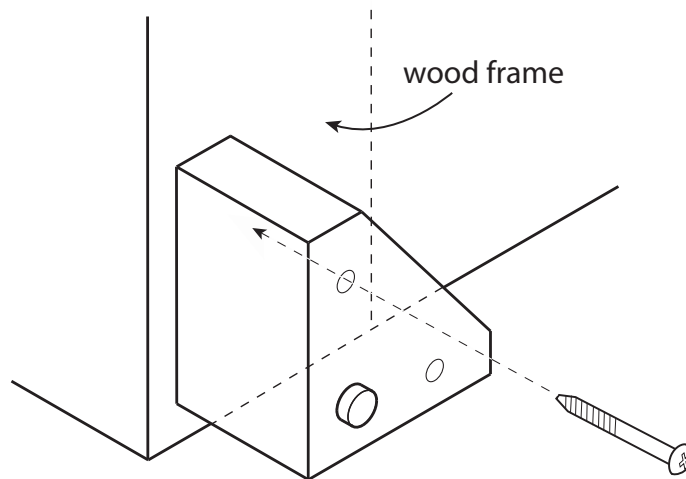
! Do not throw away packaging materials until assembly is complete.

! Assemble this item on a soft surface, such as cardboard or carpet, to protect finish.

1. Set the item so that the pre-drilled holes on the bottom are accessible as shown.
2. Insert leg with bolt through hole as shown and tighten by hand. Tighten until the corner of the leg bottom aligns with the corner of the sofa as shown.



3. If necessary for a tighter fit, fasten the leg to wooden frame through one of the pre-drilled holes. Tighten screw with a phillips screwdriver.



CARE INSTRUCTIONS.

Upholstery: Spot clean only. Vacuum or brush with a soft brush regularly, at least once a month. For spills, immediately dab with a towel dampened with club soda or distilled water. To clean, use a commercial dry foam upholstery cleaner. Follow manufacturer's directions. Test for color fastness first on the fabric on the bottom of the seat.

Legs: Wipe with a soft, dry cloth. To protect the finish, avoid the use of all chemicals and household cleaners.