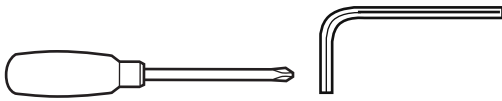


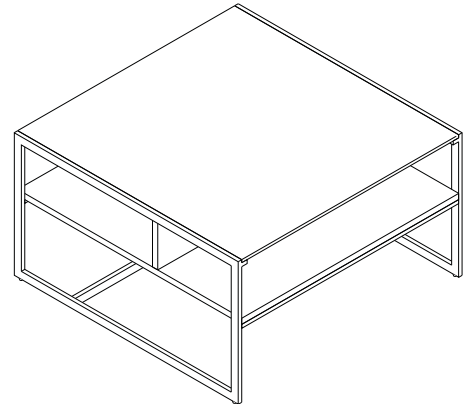
! Tools required:



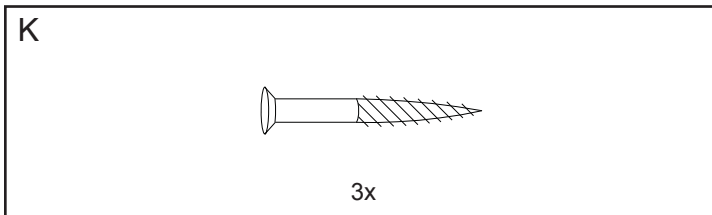
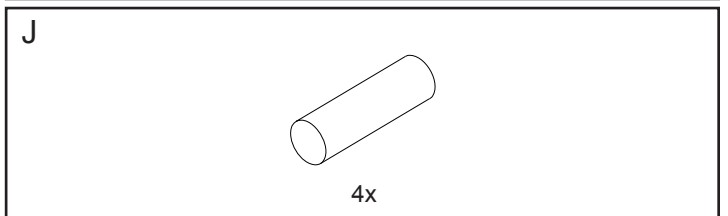
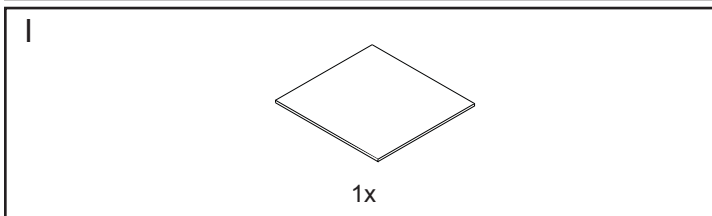
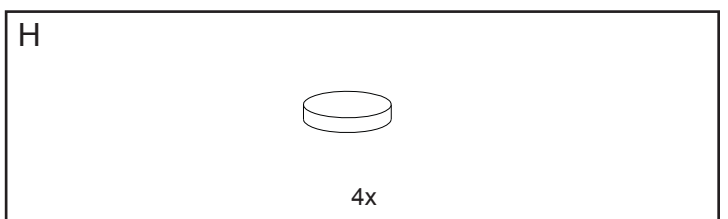
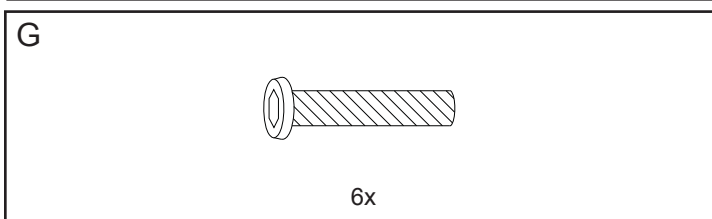
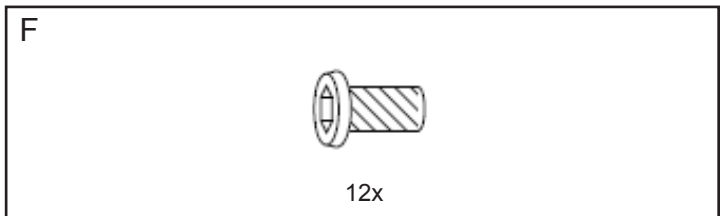
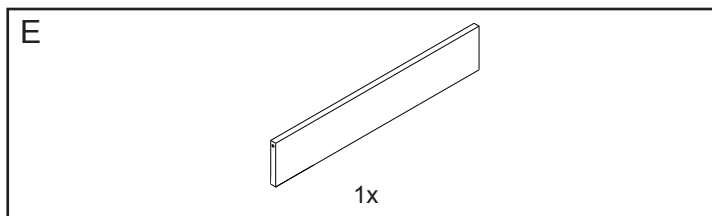
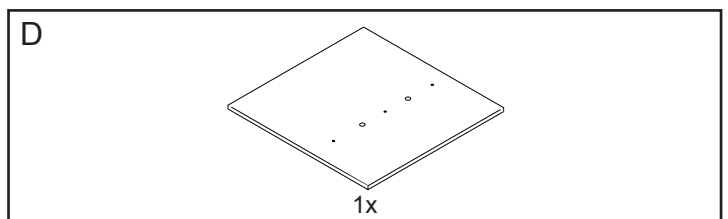
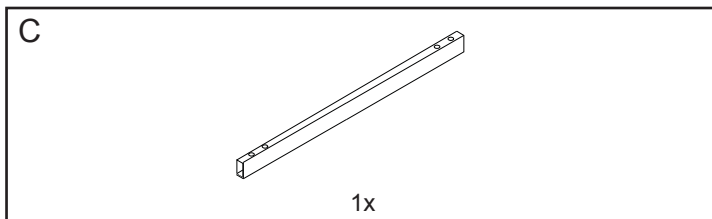
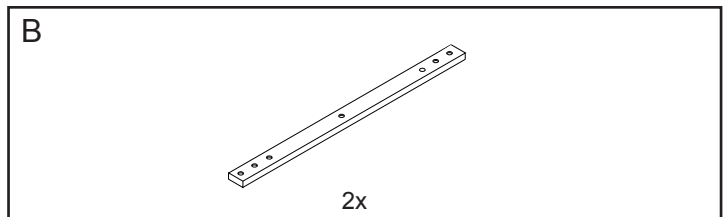
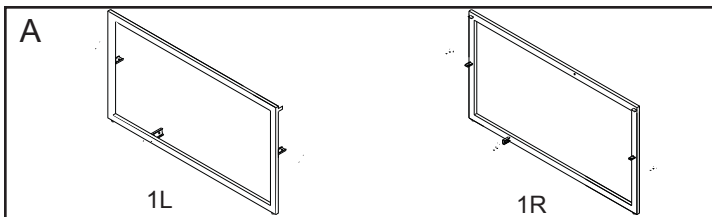
! Do not throw away packaging materials until assembly is complete.

! Assemble this item on a soft surface, such as cardboard or carpet, to protect finish.

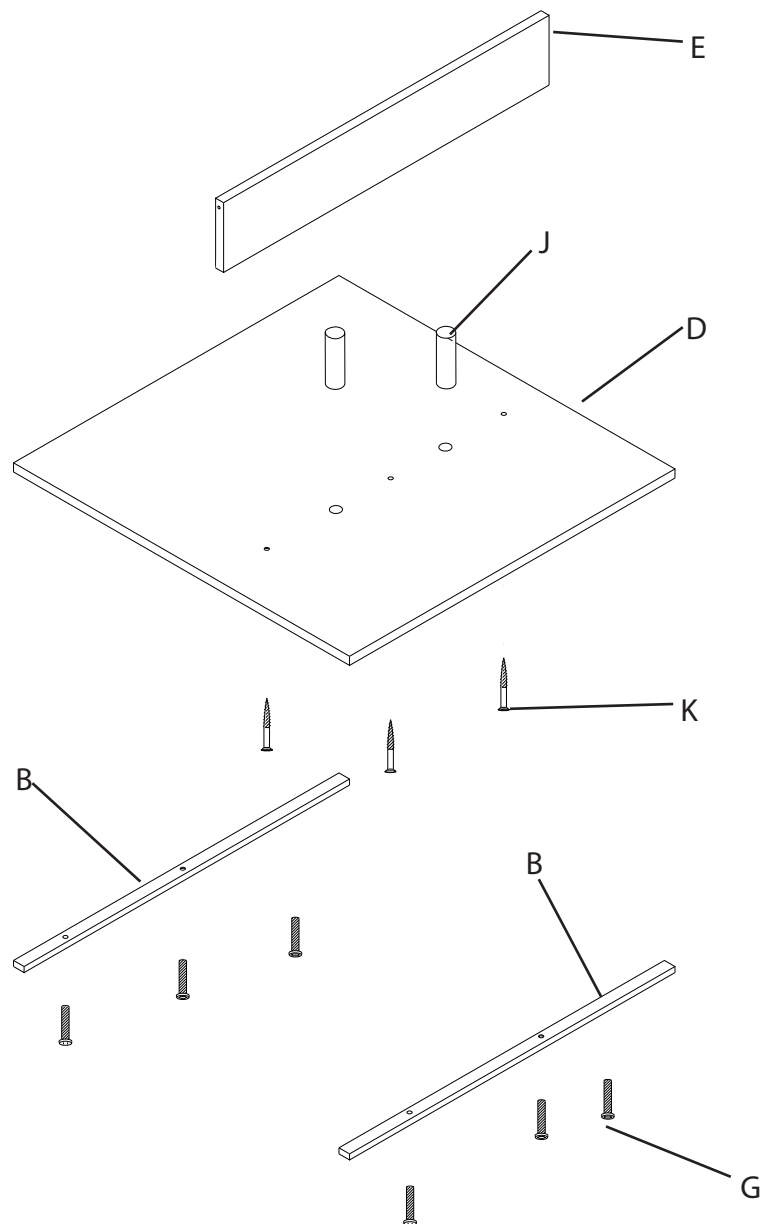
! Proper assembly of this item requires 2 people.



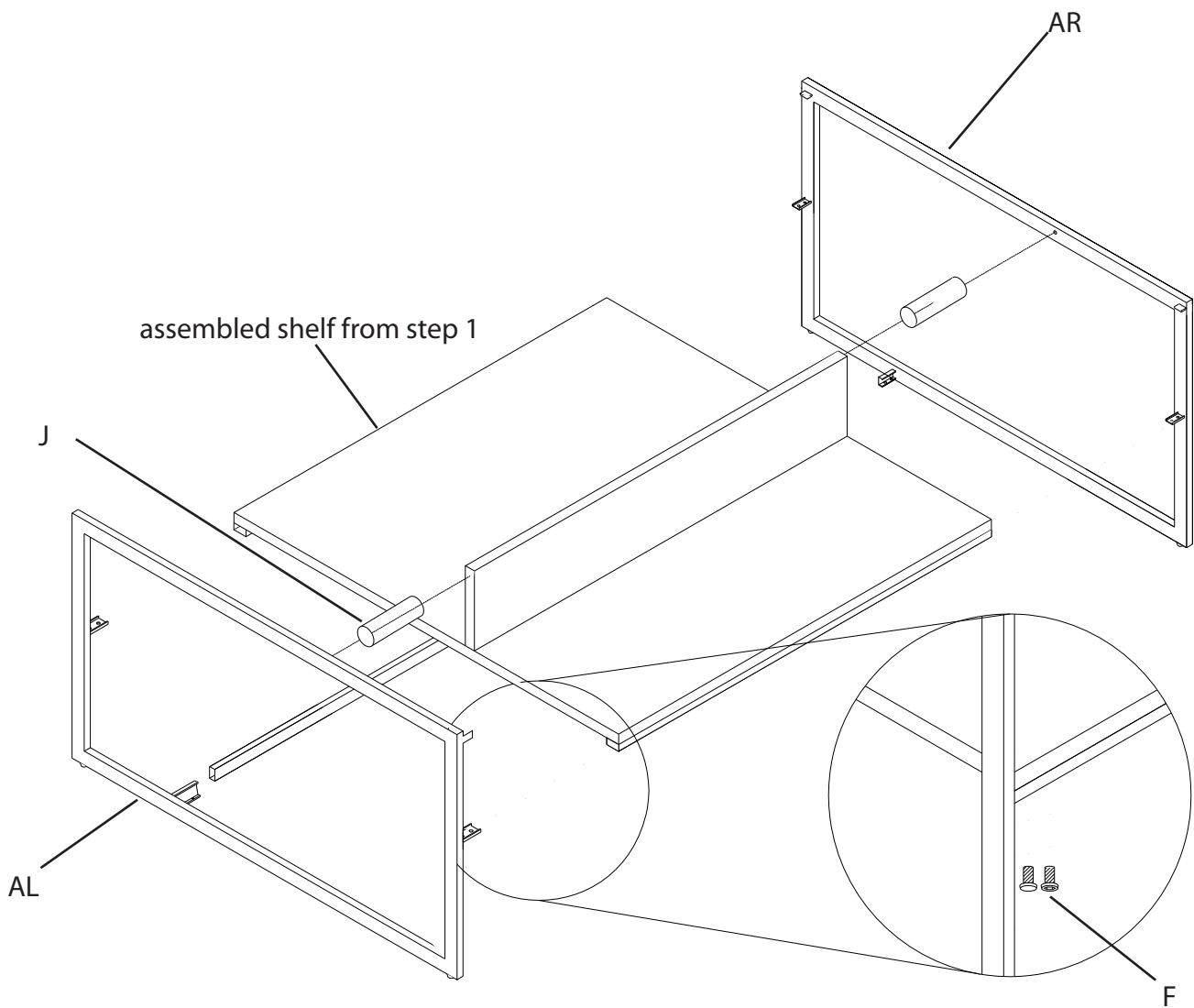
Parts



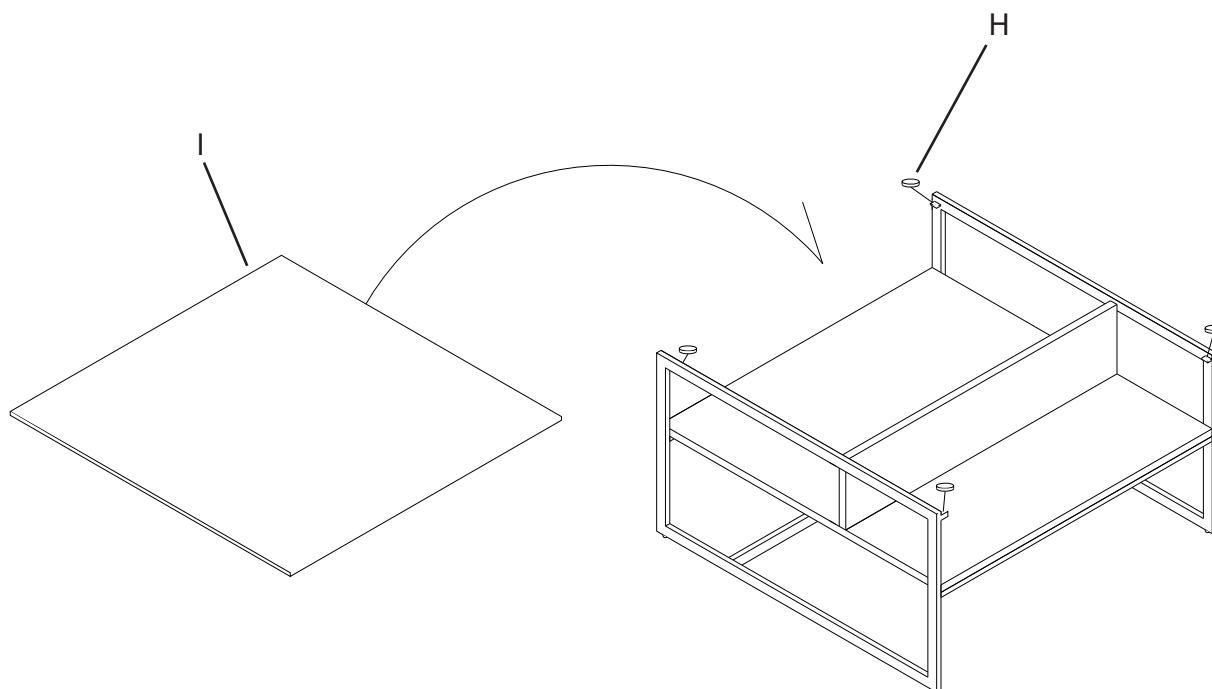
1. Align dowels (J) with the holes in the shelf (D). Press firmly together. Align partition (E) with dowels in shelf. Press firmly together. Insert screws (K) into the bottom of the shelf and tighten with phillips head screwdriver. Align shelf rails (B) with the bottom of the shelf and insert bolts (G). Tighten with supplied hex key.



2. Align end frame left (AL) with dowel (J), shelf assembly from step 1, and bottom rail (C). Press firmly together. Insert bolts (F) through the bottom of the rails. Tighten with supplied hex key. Repeat this step for the right end frame (AR).



3. Apply the pads (H) to the tabs on the top of the frames (AL & AR). Align top (I) and gently place onto pads (H).



CARE INSTRUCTIONS

Hardware may loosen overtime. Periodically check that all connections are tight.
Wipe with a soft, dry cloth. To protect finish, avoid the use of chemicals and household cleaners.