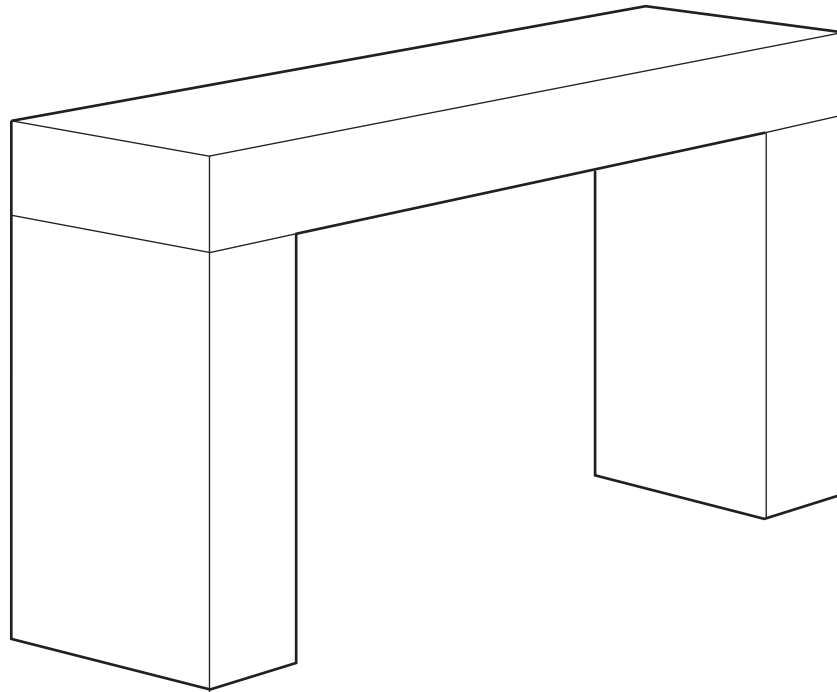


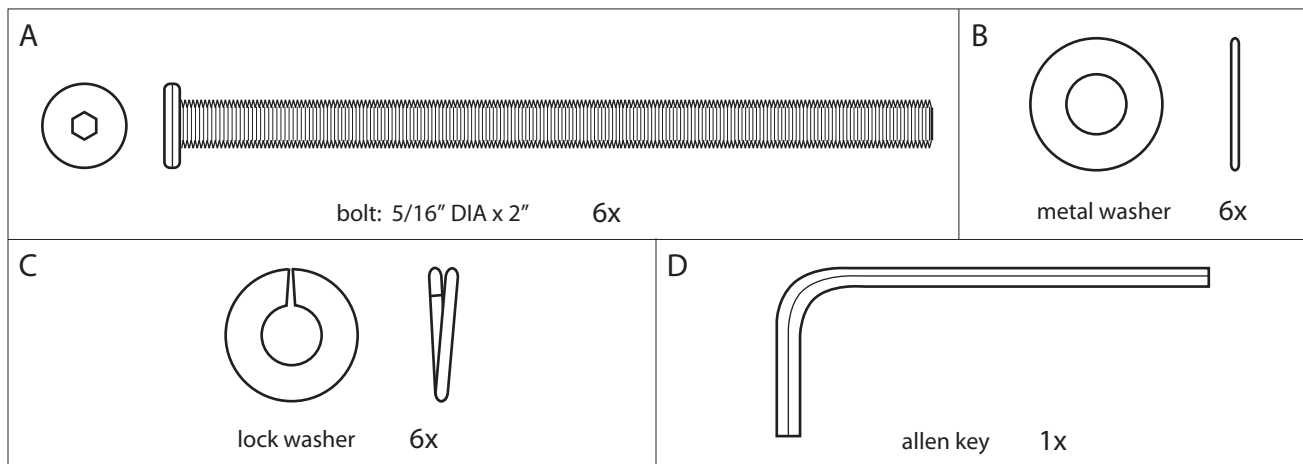
# west elm: chunky console table

assembly instructions



! Do not throw away packaging materials until assembly is complete.

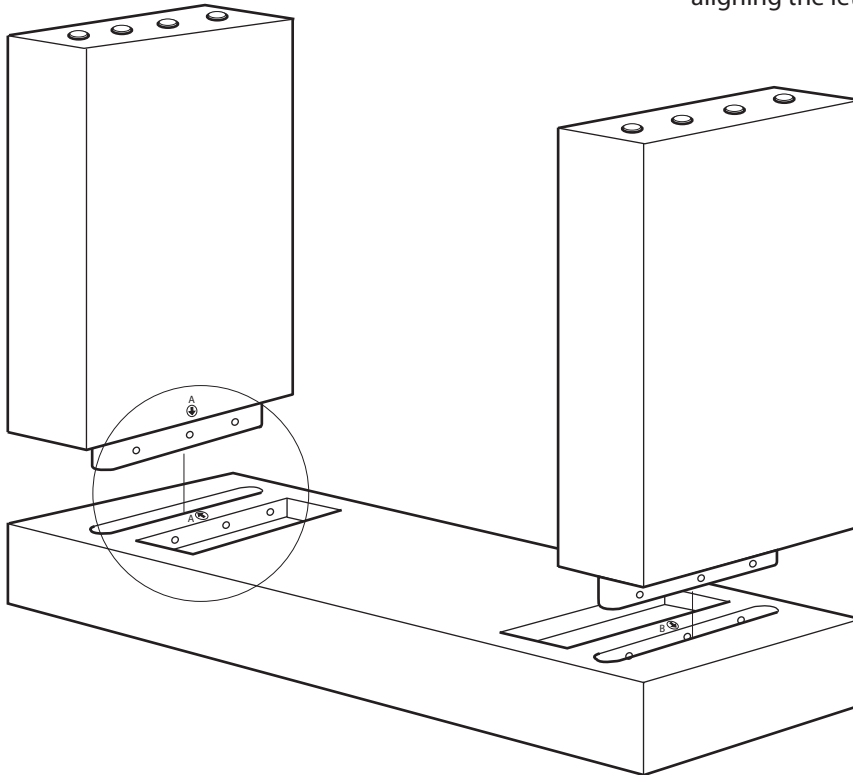
! Assemble this item on a soft surface, such as cardboard or carpet, to protect the finish.



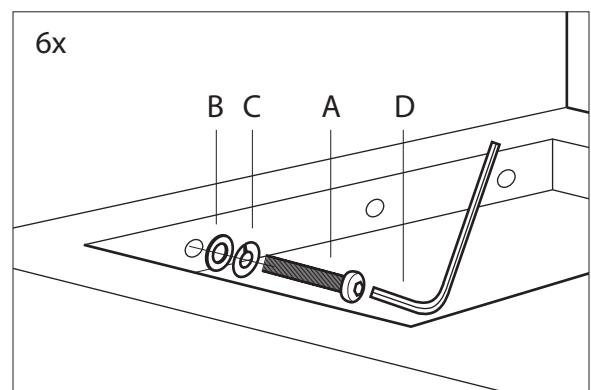
# west elm: chunky console table

## assembly instructions

1. Insert legs into slots on underside of top as shown, aligning the lettered arrow stickers.



2. Attach the flat washer (B) and lock washer (C) with bolt (A). Tighten with allen key (D).



### CARE INSTRUCTIONS.

Hardware may loosen over time. Periodically check that all connections are tight.

Wipe with a soft, dry cloth. To protect the finish, avoid the use of all chemicals and household cleaners.