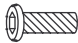





! Do not throw away packaging materials until assembly is complete.

! Assemble this item on a soft surface, such as cardboard or carpet, to protect finish.

HARDWARE

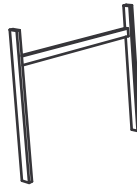
A		SCREW	8 PCS
B		ALLEN KEY	1 PCS
C		GLASS PAD	4 PCS
D		ADJUSTABLE LEVELER	4 PCS

PARTS

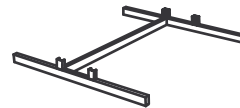
① TOP FRAME X 1



② LEG X 1



③ BASE X 1



④ POST X 2

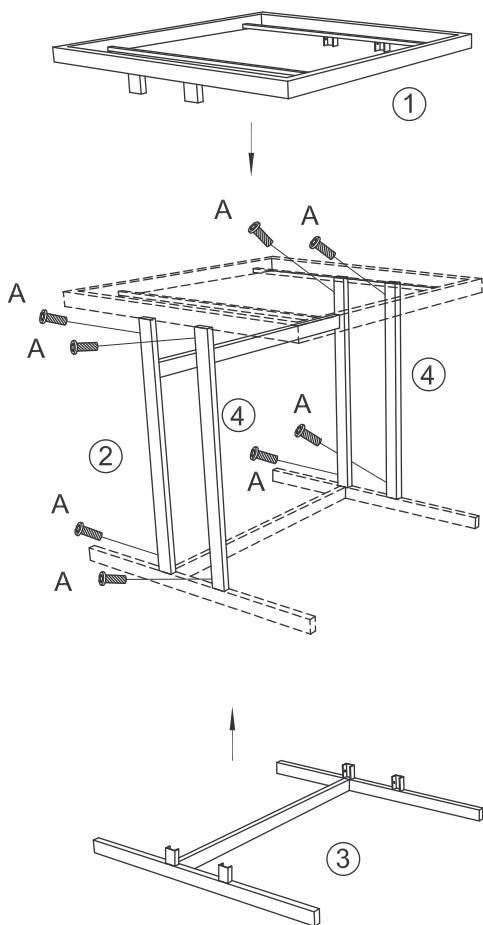


⑤ GLASS TOP X 1



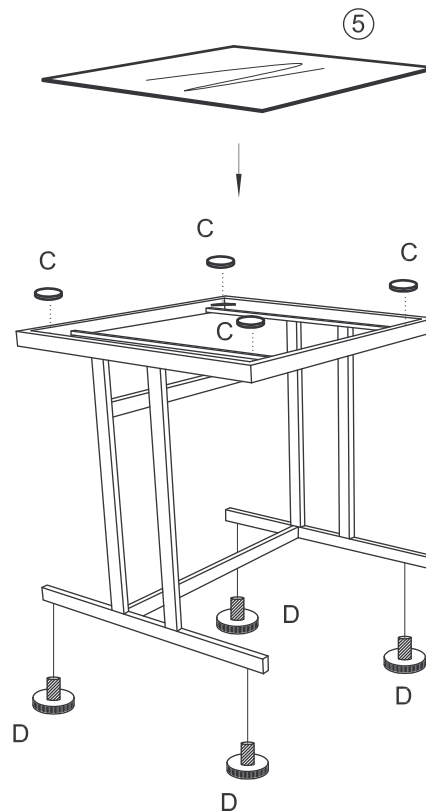
## Step 1

ATTACH LEG ② AND POST ④ TO BASE ③ USING SCREW (A). ALSO ATTACH TOP FRAME ① TO LEG ② AND POST ④ USING SCREW (A). THEN TIGHTEN ALL SCREWS.



## Step 2

ATTACH GLASS PAD (C) TO TOP FRAME ① THEN PLACE THE GLASS TOP ⑤ ONTO THE TOP FRAME ①. ATTACH ADJUSTABLE LEVELER (D) TO BASE ③ AND TIGHTEN.



NOTE: FOR UNEVEN FLOORS SIMPLY ADJUST ADJUSTABLE LEVELERS

## CARE INSTRUCTION

Hardware may loosen over time. Periodically check that all connections are tight.

Wipe with a soft, dry cloth. To protect finish, avoid the use of chemicals and household cleaners.