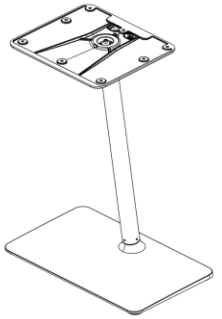
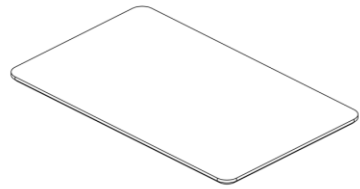


# Park Laptop Table Instructions

## Component List



Base Assembly [x1]

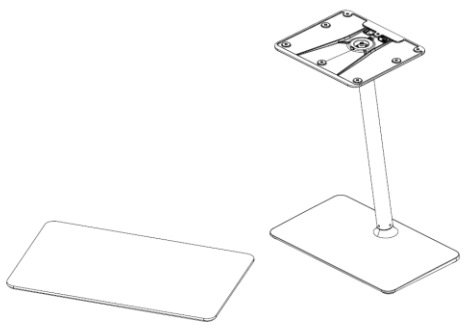


Top Panel [x1]

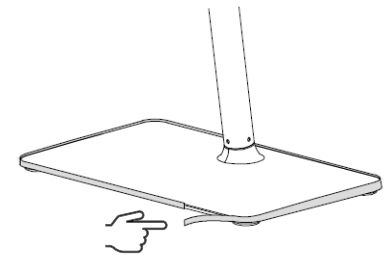


Hardware [x8]

**Step 1:** Remove Base assembly and Top panel from Shipping carton.



**Step 3:** Remove tape from the outside edge of Park base. Finished.



**Step 2:** Flip the top panel over onto its face with pre-installed inserts facing upwards. Align holes in base assembly top plate with the inserts in the top panel. Fasten securely using enclosed hardware.

