

Important Safety Instructions:

- These instructions are provided for your safety. It is very important that they are read carefully and completely before beginning the assembly and installation of this lighting fixture.
- This portable luminaire has a polarized plug (one blade is wider than the other) as a safety feature to reduce the risk of electric shock. This plug will fit in a polarized outlet only one way. If the plug does not fit fully in the outlet, reverse the plug. If it still does not fit, contact a qualified electrician. Never use with an extension cord unless plug can be fully inserted. Do not alter the plug. Do not attempt to defeat this safety feature.
- Light bulb should be centered inside the shade, making sure it does not touch the shade sides.
- This fixture has been rated for one (1) **40-watt maximum TYPE G standard incandescent light bulb** (not included) or one (1) **9-watt compact fluorescent light bulb** (not included) or one (1) **12-watt maximum SBLED light bulb** (one 5-watt SBLED bulb included). To avoid the risk of fire, do not exceed the recommended wattage.
- This lamp is meant for indoor use.
- **Save these instructions.**

WARNING:

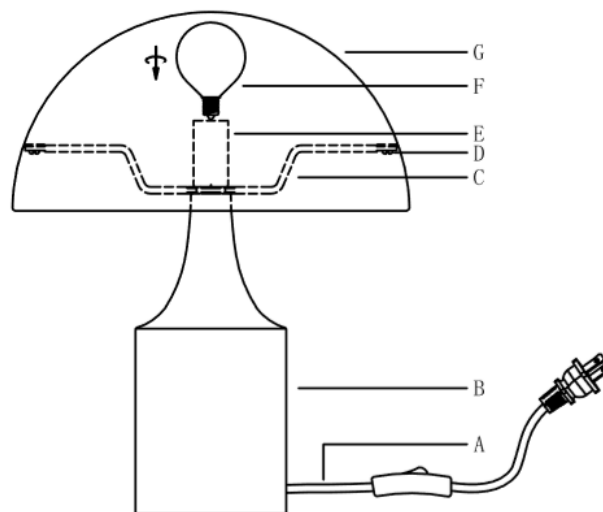
- **To reduce the risk of fire, electrical shock or personal injury, always turn off and unplug the light fixture and allow it to cool prior to replacing the light bulb.**
- **Do not touch bulb when fixture is turned on. Do not look directly at lit bulb.**
- **Keep flammable materials away from lit bulb.**

Pre-assembly:

- Remove all parts and hardware from box along with any plastic protective packaging.
- Do not discard any contents until after assembly is complete to avoid accidentally discarding small parts or hardware.

Parts Included:

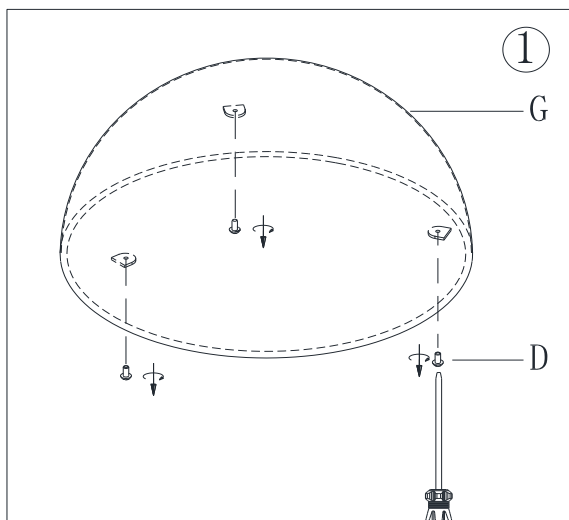
- (A) Cable (1)
- (B) Base (1)
- (C) Metal Bracket (1)
- (D) Screws (3)
- (E) Socket (1)
- (F) Light Bulb (1)
- (G) Shade (1)



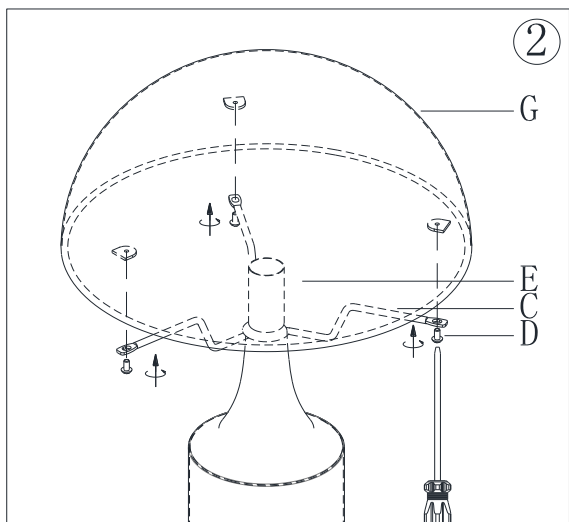
TOOLS REQUIRED (not included):



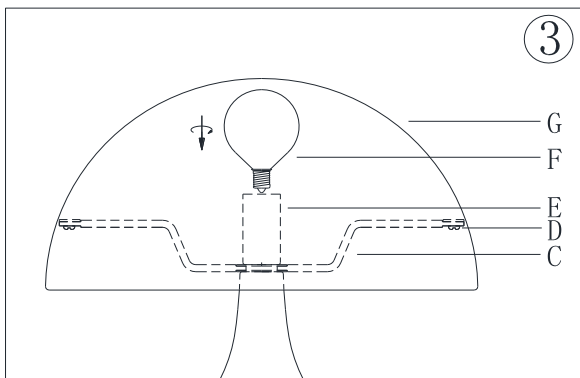
To Assembly:



Remove Screws (D) from Shade (G) using a screwdriver.
Do not discard the Screws (D) as these will be used later.



Put Shade (G) onto Metal Bracket (C) aligning the 3 holes with the Metal Bracket (C). Secure the Shade (C) using 3 Screws (D) and tighten with a screwdriver.



Insert the specified light bulb into Socket (E). DO NOT EXCEED THE SPECIFIED WATTAGE. Insert the plug into a proper electrical outlet and then turn on the switch.

Care Instructions:

- Wipe clean with a soft, dry cloth or static duster.
- Always avoid the use of harsh chemicals or abrasive cleaners as they may cause damage to the fixture's finishing.

Thank you for your purchase
Stores | catalog | www.westelm.com
USA 888-922-4119