

Important Safety Instructions:

- These instructions are provided for your safety. It is very important that they are read carefully and completely before beginning the assembly and installation of this lighting fixture.
- This portable luminaire has a polarized plug (one blade is wider than the other) as a safety feature to reduce the risk of electric shock. This plug will fit in a polarized outlet only one way. If the plug does not fit fully in the outlet, reverse the plug. If it still does not fit, contact a qualified electrician. Never use with an extension cord unless plug can be fully inserted. Do not alter the plug. Do not attempt to defeat this safety feature.
- Use with approved West elm Shades only, having a minimum opening diameter of 4 inches and a minimum lamp-to-shade spacing of 3-1/2 inches.
- This fixture has been rated for one (1) **100-watt maximum TYPE A standard incandescent light bulb** (not included) or one (1) **25-watt compact fluorescent light bulb** (not included) or one (1) **20-watt maximum SBLED light bulb** (one 9-watt SBLED bulb included). To avoid the risk of fire, do not exceed the recommended wattage.
- This lamp is meant for indoor use.
- **Save these instructions.**

WARNING:

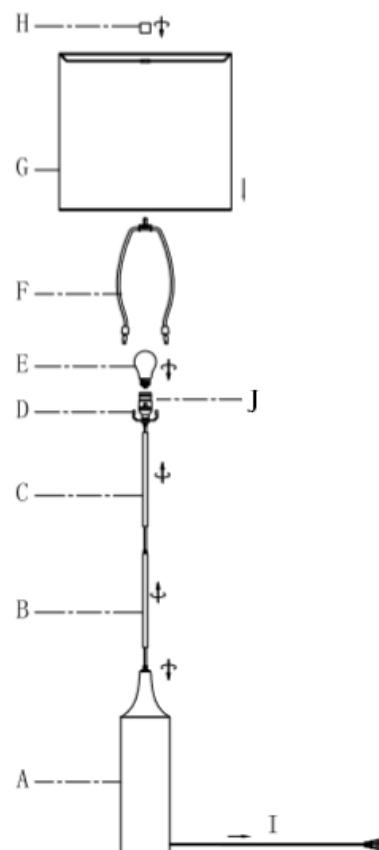
- **To reduce the risk of fire, electrical shock or personal injury, always turn off and unplug the light fixture and allow it to cool prior to replacing the light bulb.**
- **Do not touch bulb when fixture is turned on. Do not look directly at lit bulb.**
- **Keep flammable materials away from lit bulb.**

Pre-assembly:

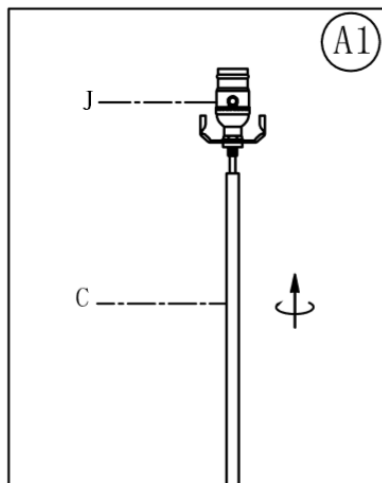
- Remove all parts and hardware from box along with any plastic protective packaging.
- Do not discard any contents until after assembly is complete to avoid accidentally discarding small parts or hardware.

Parts Included:

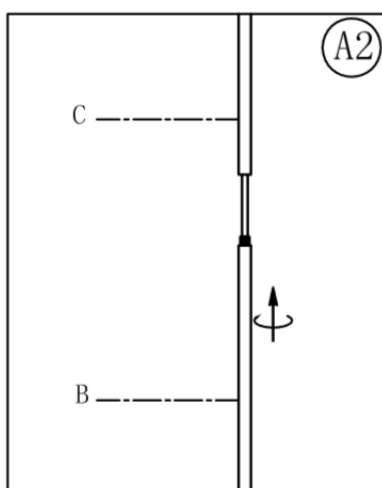
- (A) Lamp Base (1)
- (B) Lower Tube (1)
- (C) Upper Tube (1)
- (D) Saddle (1)
- (E) Bulb (1)
- (F) Harp (1)
- (G) Lamp Shade (1) <packed separately>
- (H) Final (1)
- (I) Cable (1)
- (J) Socket (1)



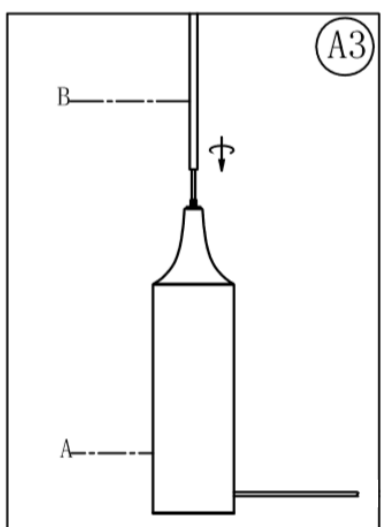
To Assemble:



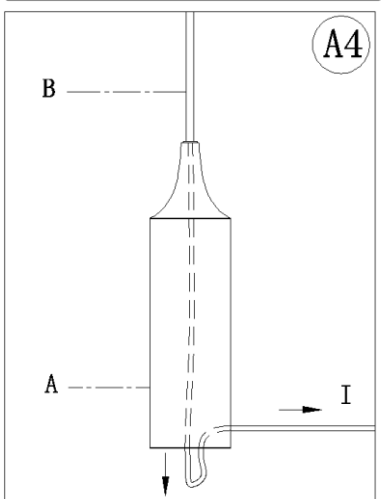
1. Screw **Upper Tube (C)** onto **the bottom threaded end** of Socket (J) **by turning the tube clockwise until tight.**



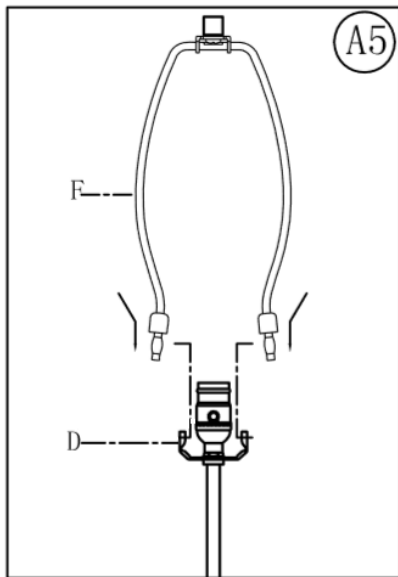
2. Screw **the top end of Lower Tube (B)** into **Upper Tube (C)** by **turning clockwise until tight.**



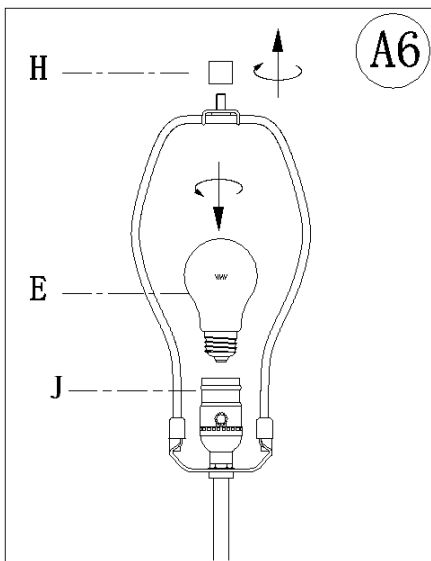
3. **Attach the bottom end of Lower Tube (B)** onto **the threaded nipple of the Lamp Base (A)** and turning clockwise **until tight.**



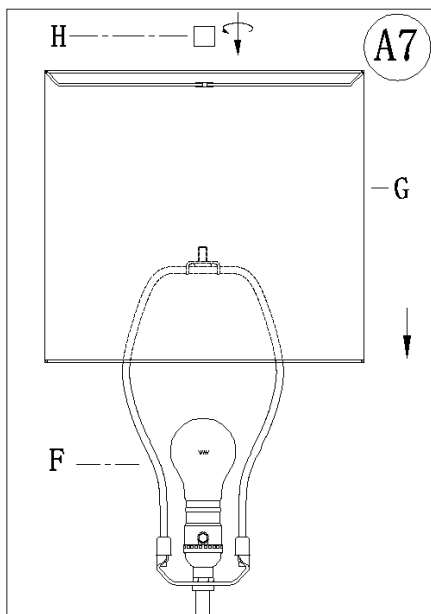
4. **Gently pull the excess Cable (I)** out from **the Lamp Base (A)** **as shown** and ensure cable is not twisted.



5. Raise the harp caps and insert the bottom ends of Harp (F) into the Saddle (D). Lower the harp caps until cover the two-pronged Saddle(D).



6. Unscrew the Final (H) from the harp top.
Insert the specified light bulb into Socket (J). DO NOT EXCEED THE SPECIFIED WATTAGE.



7. Place the Lamp Shade (G) over Harp (F). Making sure the harp top extends through the top ring of Shade (G). Secure the Shade (G) by turning the Final (H) onto the harp top **until tight**.

Care Instructions:

- Wipe clean with a soft, dry cloth or static duster.
- Always avoid the use of harsh chemicals or abrasive cleaners as they may cause damage to the fixture's finishing.

Thank you for your purchase
 Stores | catalog | www.westelm.com
 USA 888-922-4119