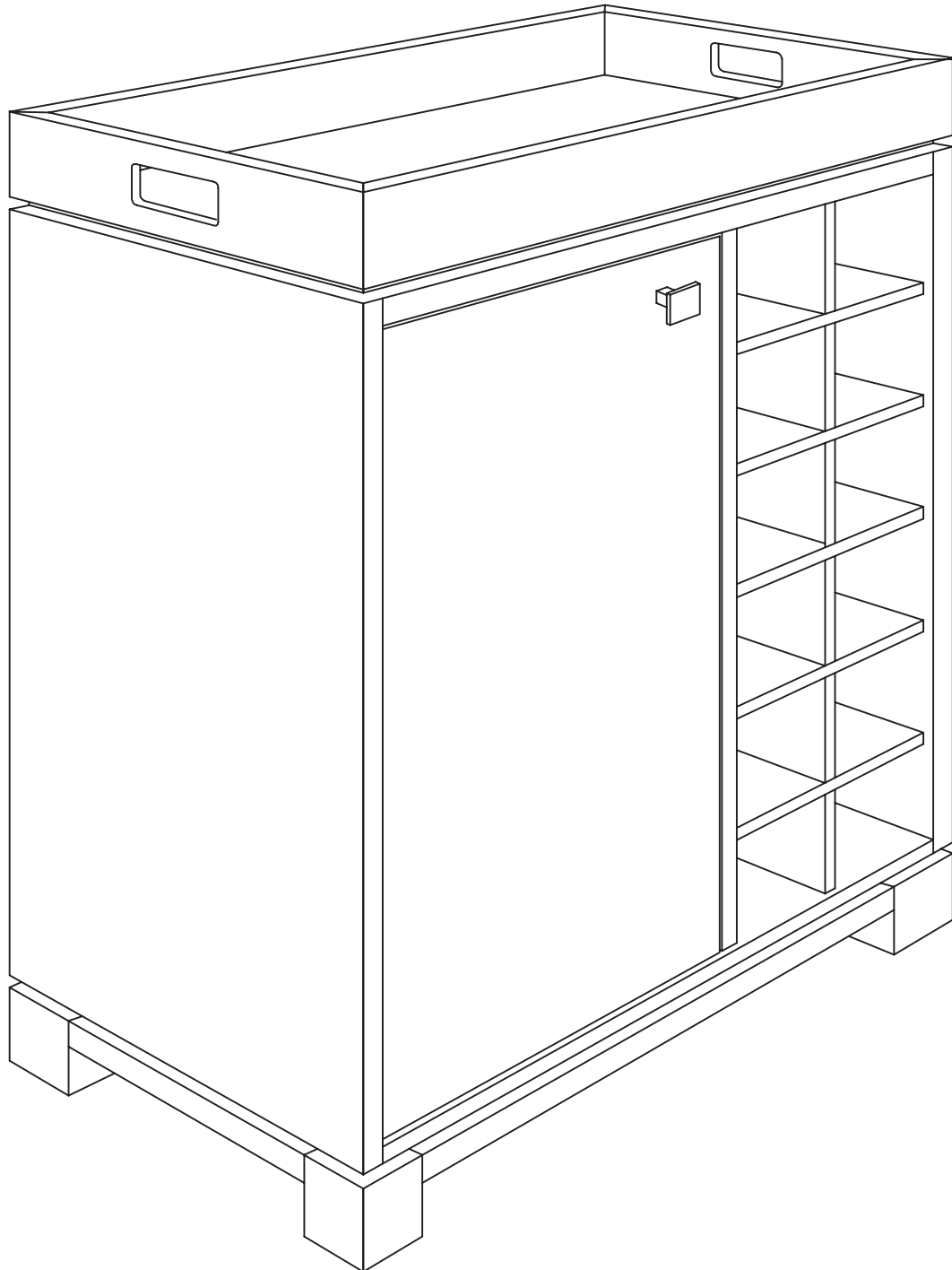


west elm

wine bar
assembly instructions




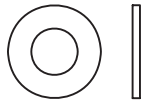


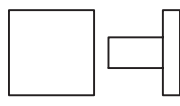


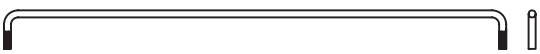

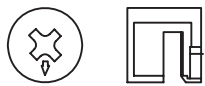

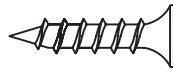
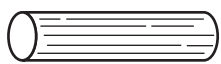

! Tools required: 

! Do not throw away packaging materials until assembly is complete.

! Assemble this item on a soft surface, such as cardboard or carpet, to protect finish.

! Proper assembly of this item requires 2 people.

Hardware

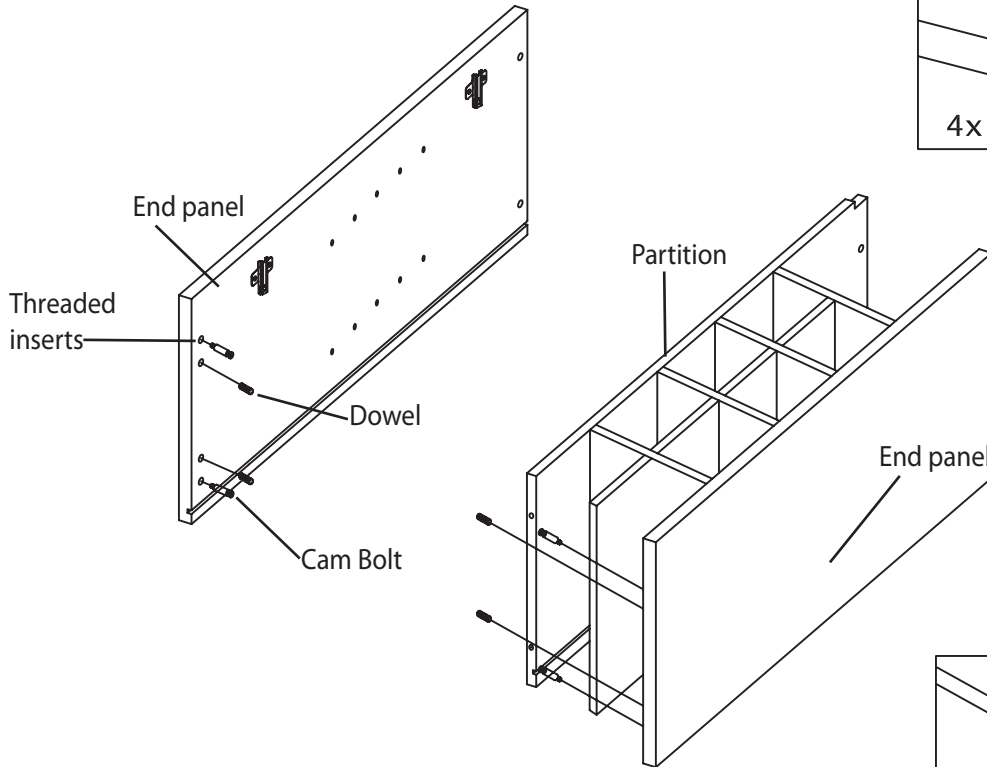
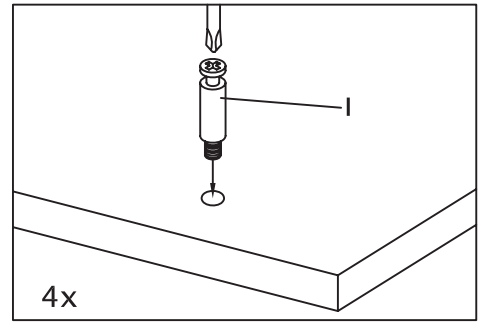
<p>A</p>  <p>Bolt (1/4" x 1 1/4") 12x</p>	<p>B</p>  <p>Metal washer 12x</p>
<p>C</p>  <p>Lock washer 12x</p>	<p>D</p>  <p>Allen key 1x</p>
<p>E</p>  <p>Handle 1x</p>	<p>F</p>  <p>Handle screw 1x</p>
<p>G</p>  <p>Shelf pin 8x</p>	<p>H</p>  <p>Magic wire 4x</p>
<p>I</p>  <p>Cam bolt 4x</p>	<p>J</p>  <p>Cam lock 4x</p>
<p>K</p>  <p>Plastic clasp 8x</p>	<p>L</p>  <p>Screw 8x</p>
<p>M</p>  <p>Dowel 4x</p>	<p>Anti Tip Kit</p>  <p>Mounting Plate 2x Nylon Strap 1x Small Screw 2x Large Screw 2x</p>

west elm

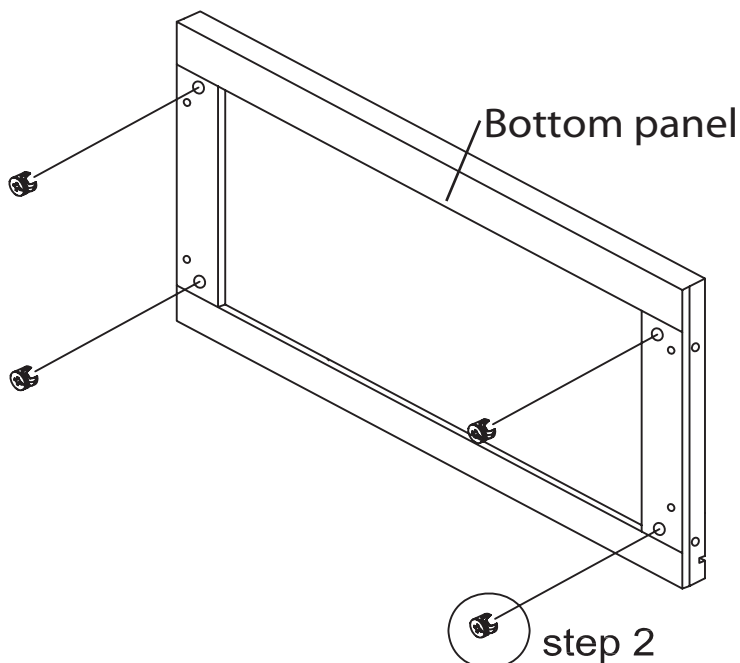
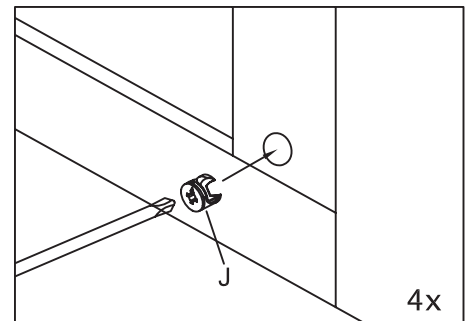
wine bar

assembly instructions

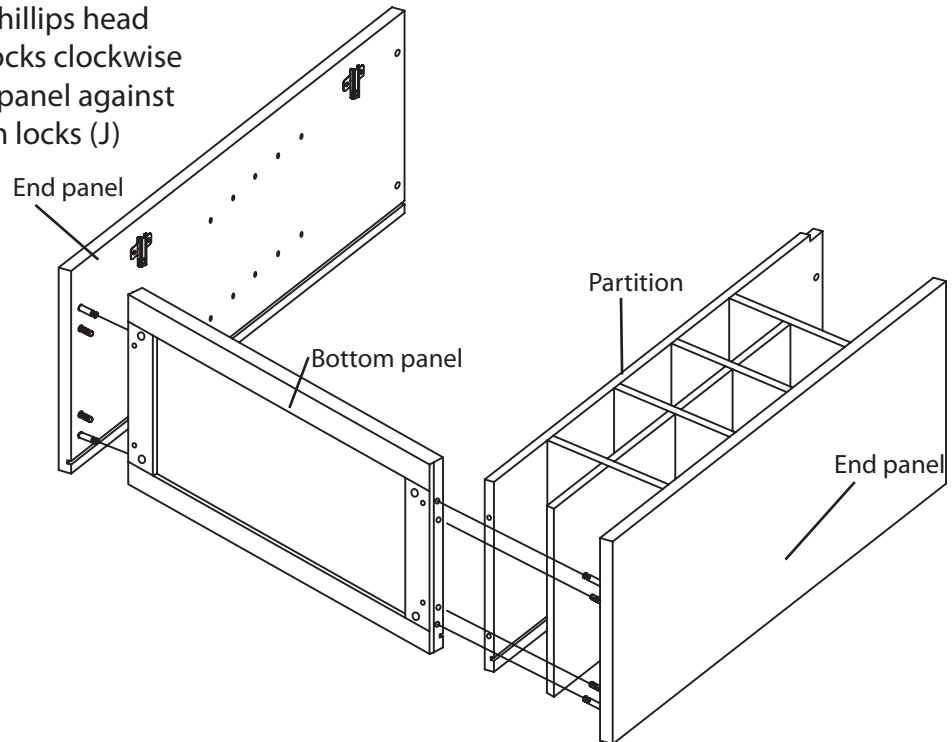
1. Using phillips head screwdriver, insert and tighten cam bolts (I) into threaded insert in the bottom of each end panel. There will be 2 cam bolts (I) in each end panel. Next insert 2 dowels (M) into each end panel. DO NOT OVERTIGHTEN CAM BOLTS!



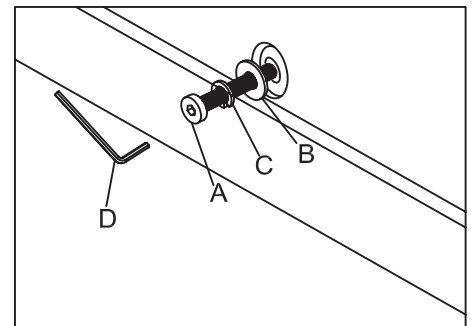
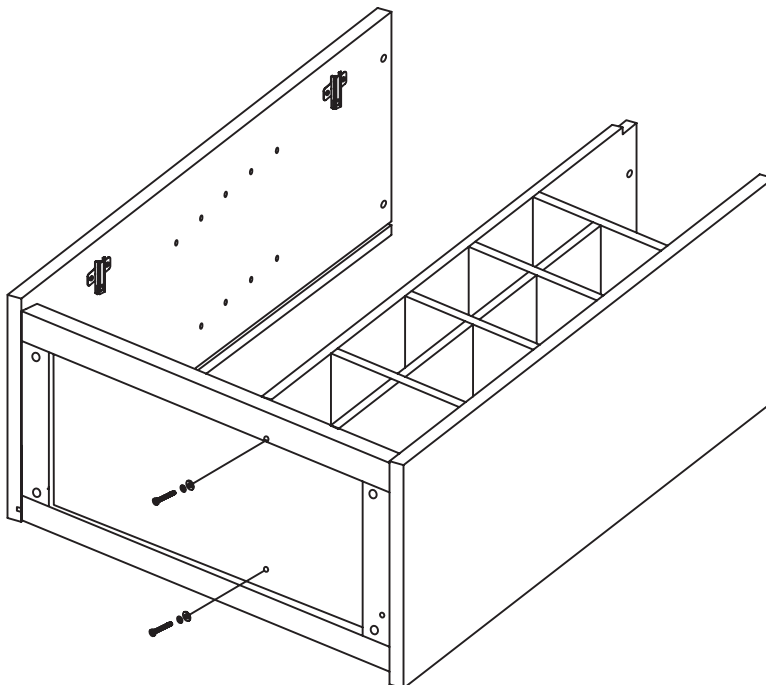
2. Locate the 4 holes in the bottom of the bottom panel. Insert a cam lock (J) into each hole like the drawing shows.



3. Align the cam bolts (I) in the end panels with the holes in the side of the bottom panel so they will come in contact with the cam locks (J). Next slide the end panel against the bottom panel and using the phillips head screwdriver tighten the cam locks clockwise 1/2 turn. Next slide other end panel against bottom panel and tighten cam locks (J) clockwise 1/2 turn.

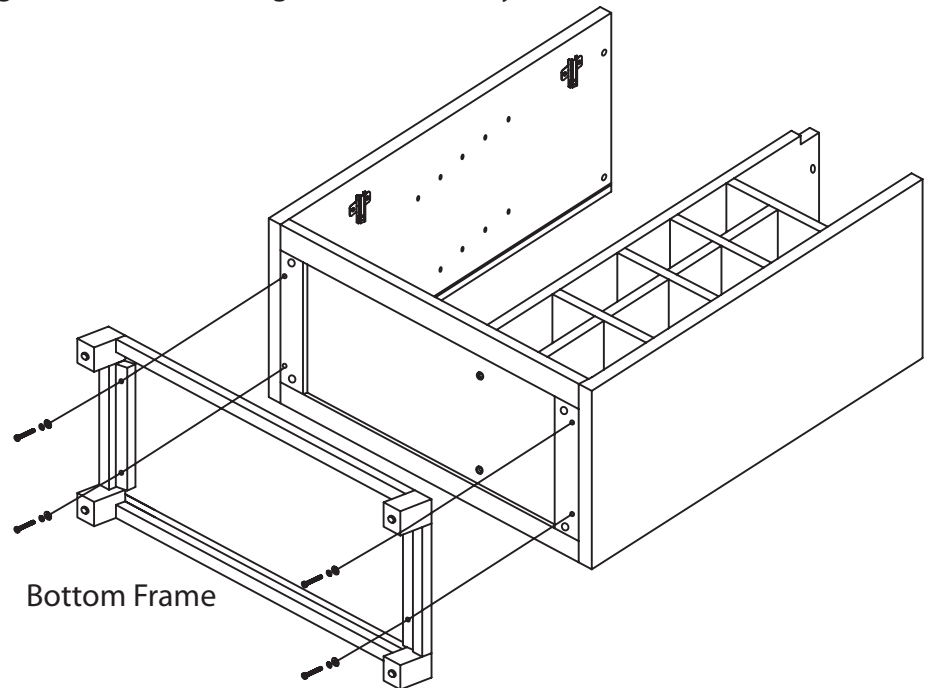


4. Insert Bolts (A) assembled with Lock washer (C) and Metal Metal washer (B) into the 2 holes on the bottom panel that line up with the partition. Tighten these bolts with the supplied Allen key (D) clockwise until tight. Do not overtighten!

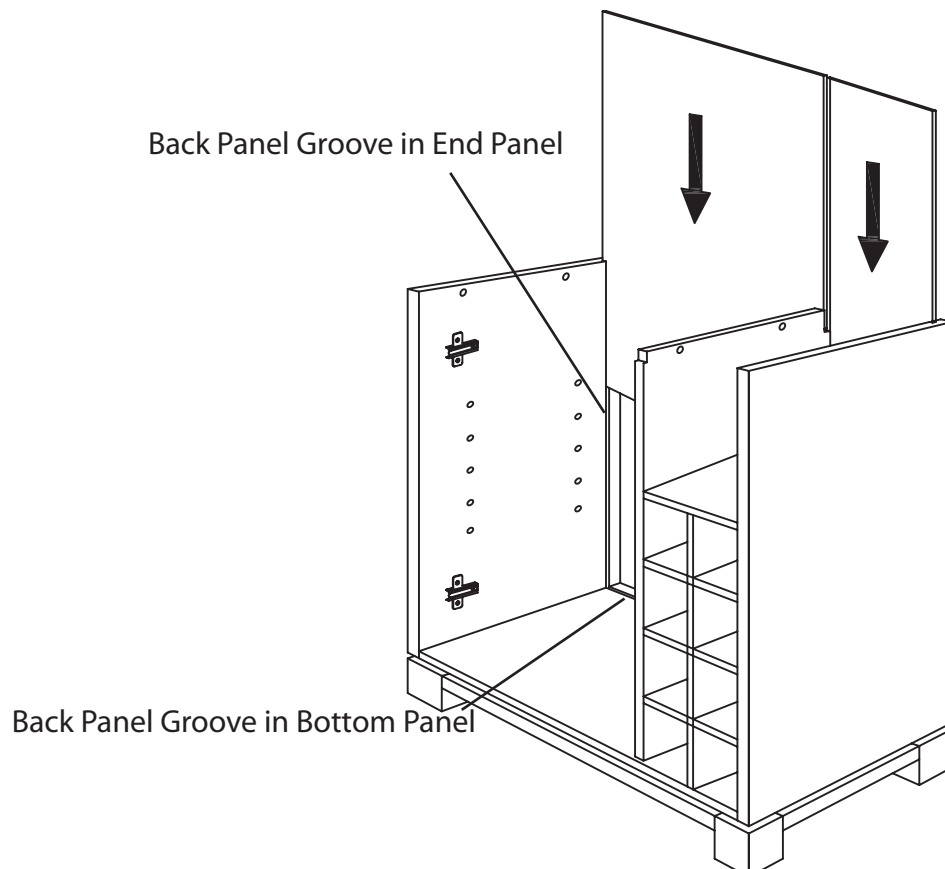


assembly instructions

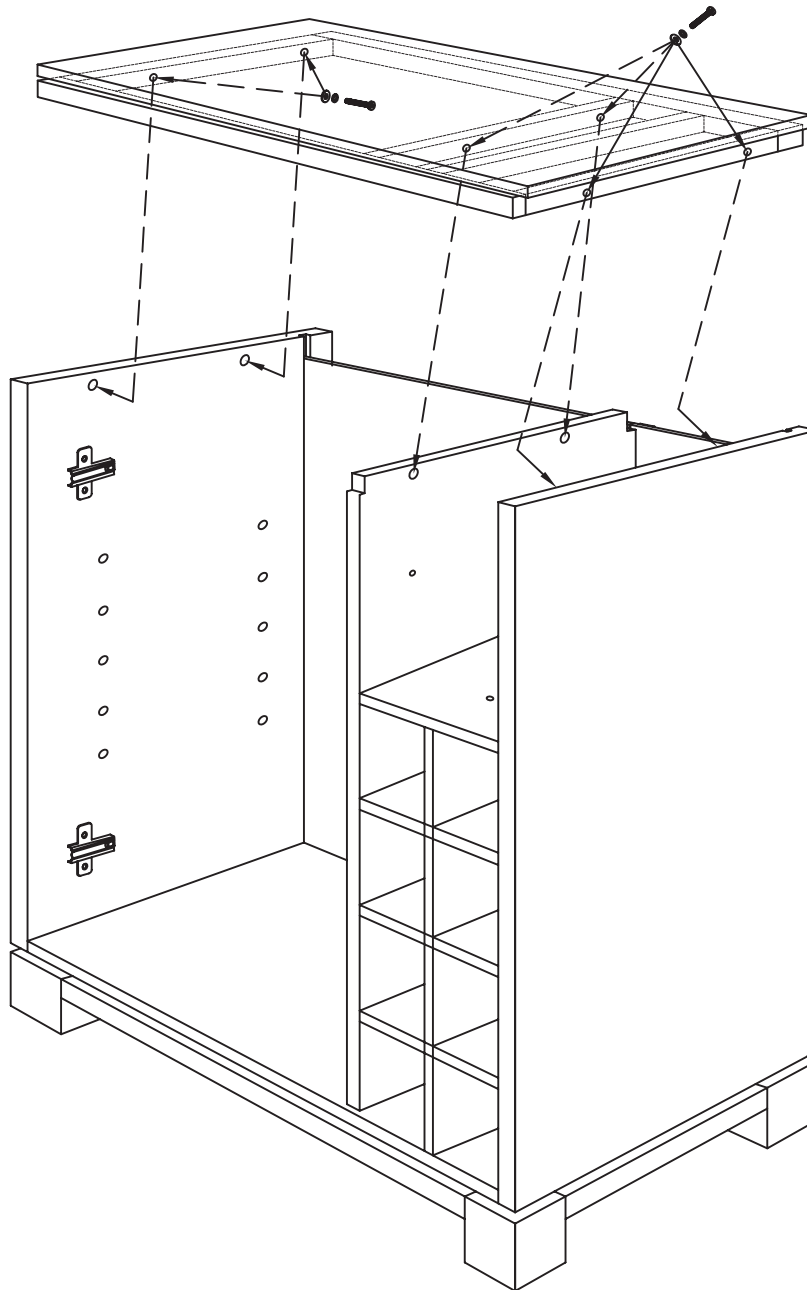
5. Insert Bolts (A) assembled with Lock washer (C) and Metal Metal washer (B) into the 4 holes on the bottom frame that line up with the bottom panel. Tighten these bolts with the supplied Allen key (D) clockwise until tight. Do not overtighten! After attaching the base frame you will need to stand case upright to finish assembly.



6. Locate back panel grooves in the end panels and bottom panel. Slide back panels down into this groove. Make sure that the back panels slides completely down into the groove in the bottom panel.



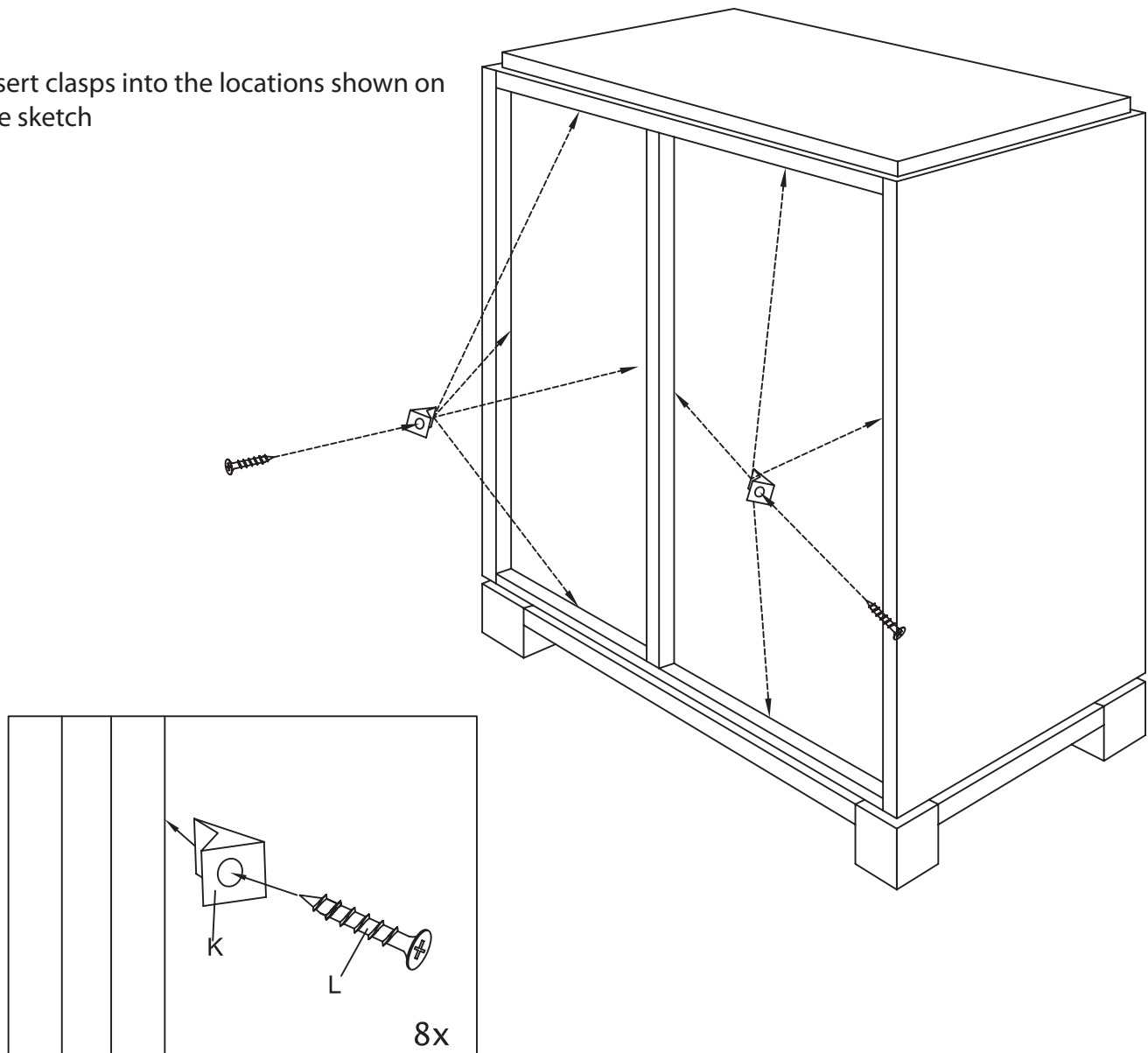
7. Place top panel onto top of bar and align bolt holes with the holes in the end panels and partitions. Insert 6 bolts with washers into the six holes indicated on the drawing. Tighten with the supplied allen key (D). Do not overtighten!



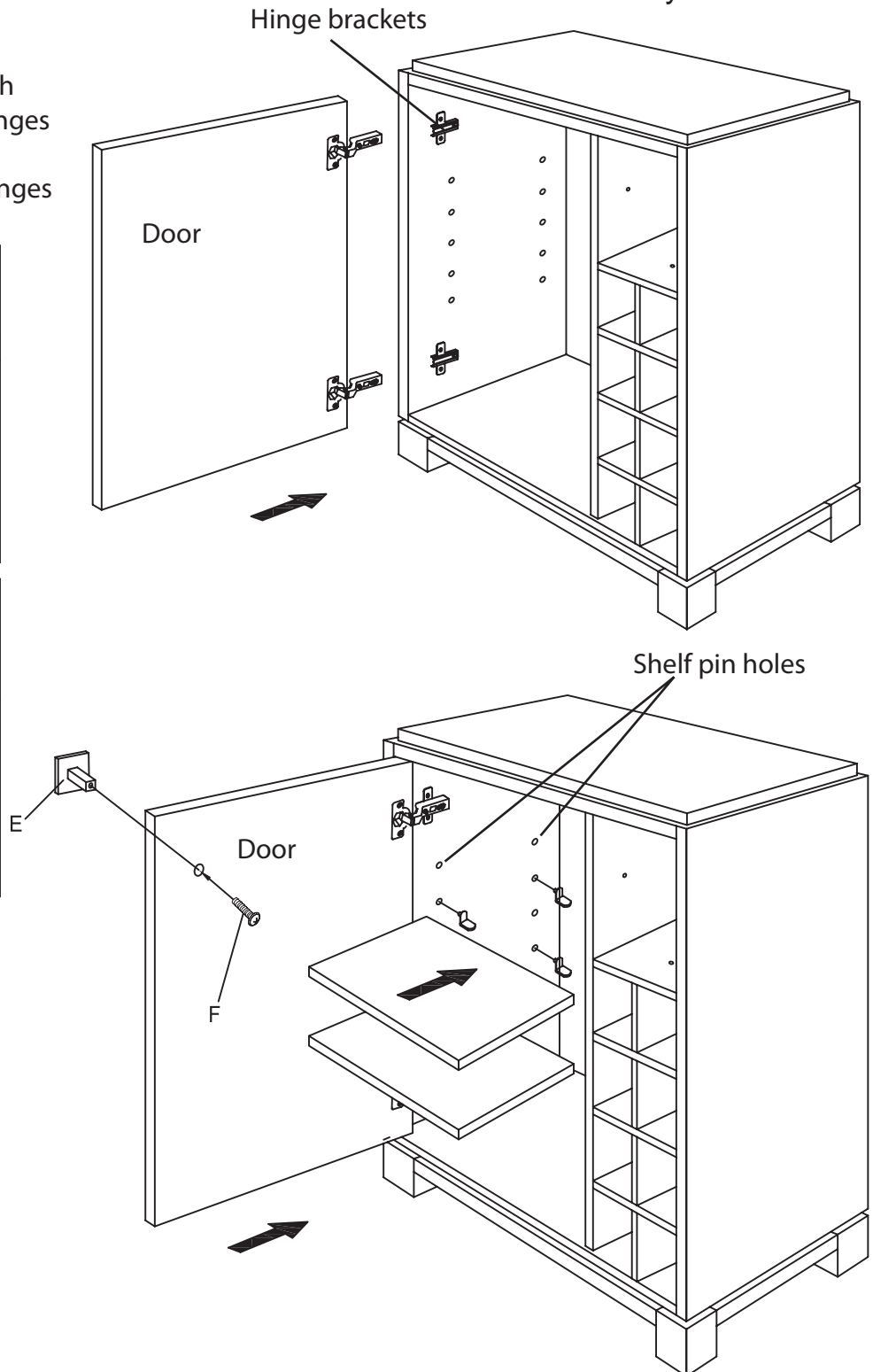
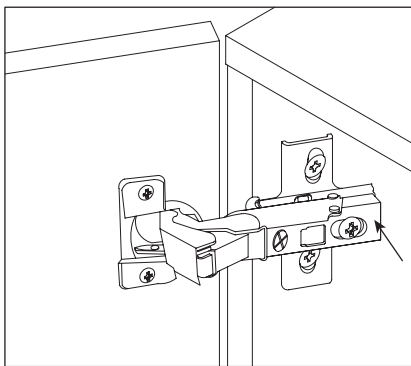
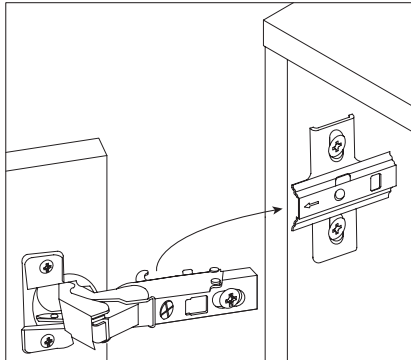
assembly instructions

8. You will need to secure the back panel into place with the plastic clasps (K). Insert a screw (L) into each clasp (K). From the back of the bar insert the clasp into the groove in the end panels, bottom panels and top frame. You may need to lightly push the back panel towards the front of the bar to open the gap for the clasp to slide into.

Insert clasps into the locations shown on the sketch

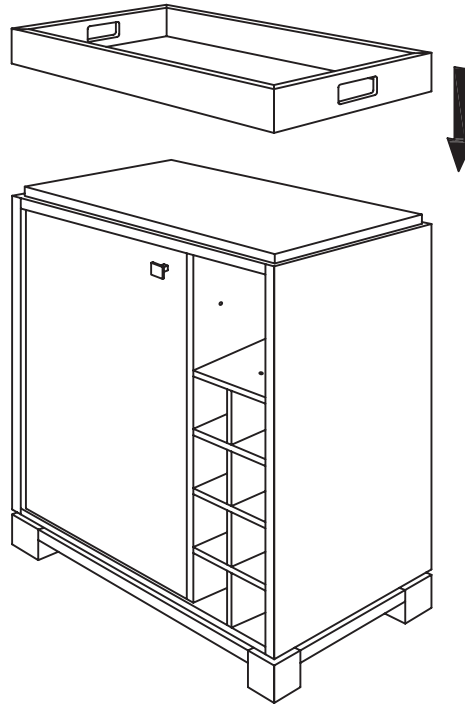


9. Locate Hinge brackets on end panel and align the door with them. Next slide the door hinges over the brackets until they click. Make sure that both hinges are secure.

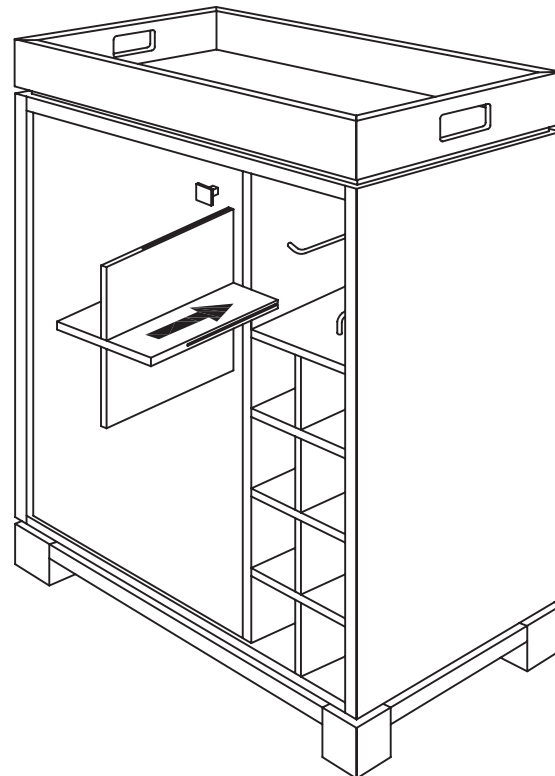
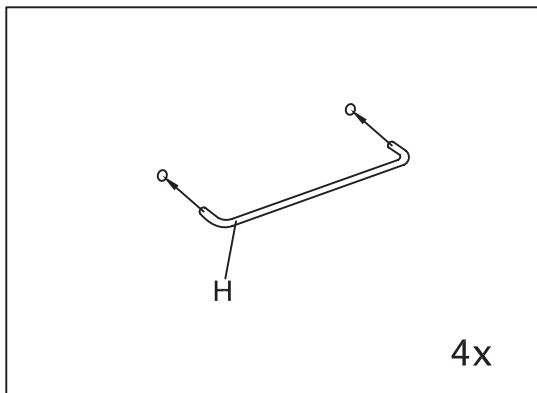


10. Insert 4 shelf pins (G) as shown into the holes in the end panel and 4 shelf pins (G) in the partition, making sure they line up across from each other. Lay 1 shelf on each set of 4 shelf pins (G).
11. Insert 1 handle screw (F) through the door panel and align with 1 Handle (E). Tighten this screw with a phillips head screwdriver. Do not over tighten!

12. Align tray and gently place it on top of the bar.



13. Locate the small holes in the partition, end panel, top frame and shelf used for the magic wire shelf guide. Insert 4 magic wires (H) into these holes in the Partition, End panel, top frame and the shelf. Press firmly so that they insert completely. Next line up the "t" shaped partition with grooves with the magic wire and slide the "t" partition into place.



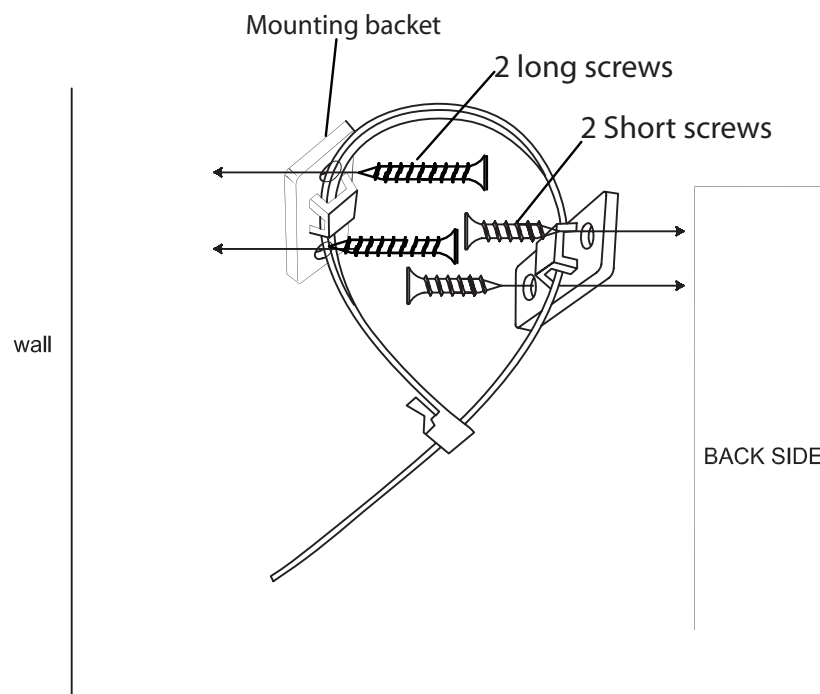
NOTICE:

assembly instructions

To prevent injury and property damage from unexpected tipping of furniture, we highly recommend installation of the anti-tip kit included with this product.

Attaching wine bar to wall with anti-tip kit.

1. Determine where the wine bar is to be placed and mark location on the wall for the mounting bracket screw holes. They should be placed approximately 2" below the top on the back of the wine bar.
2. Attach the mounting bracket vertically to the wall by inserting the Long screws provided through the holes in the bracket and tightening securely using screwdriver. Screws must penetrate wall studs for proper installation.
3. Next using the short screws attach the 2nd bracket to the back of the wine bar top frame.
4. Lace the nylon strap down through the brackets. Slide the thin end of the strap through the receiving end of the nylon strap. Pull to tighten Wine bar snug against wall.



NOTE: There will be extra pieces left over from the anti-tip kit, please discard.

CARE INSTRUCTIONS

Hardware may loosen overtime. Periodically check that all connections are tight. wipe with a soft, dry cloth. To protect finish, avoid the use of chemicals and household cleaners.