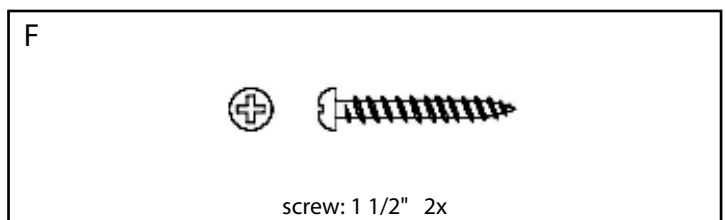
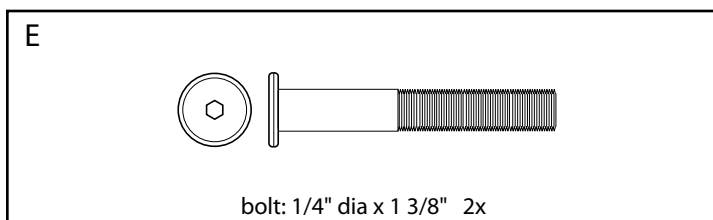
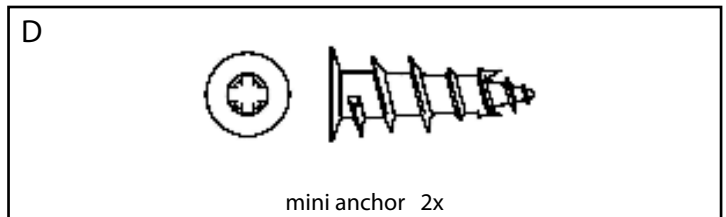
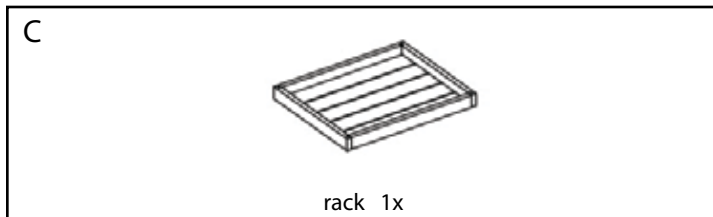
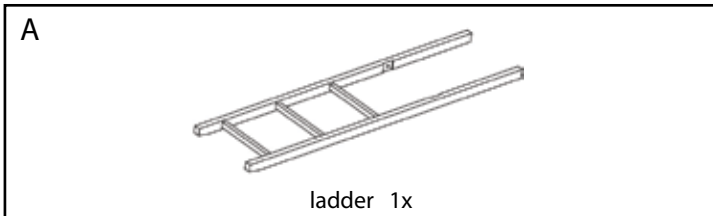
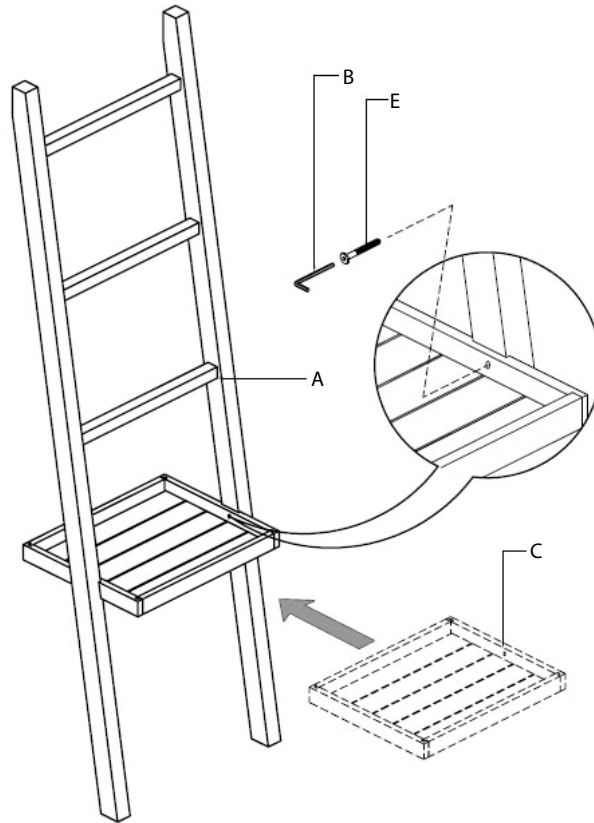


! Tools required:

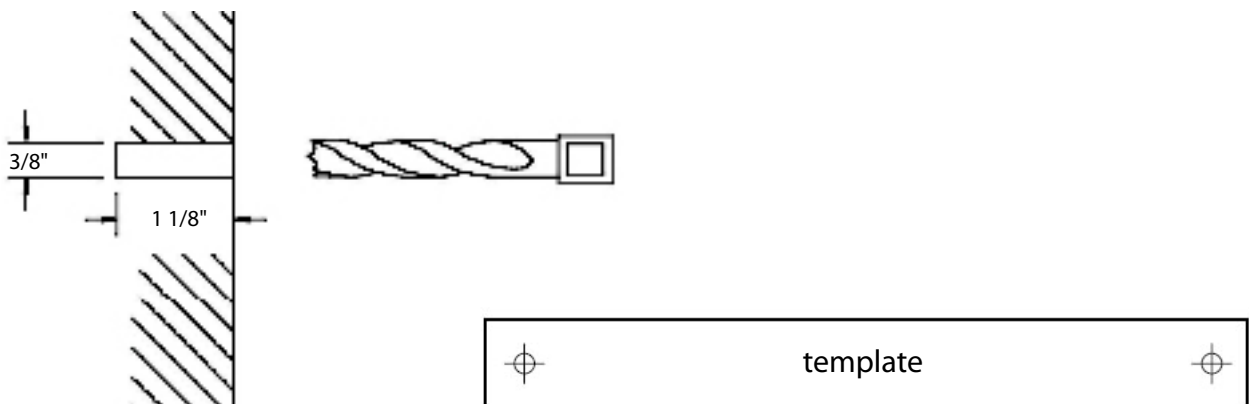
! Do not throw away packaging materials until assembly is complete.



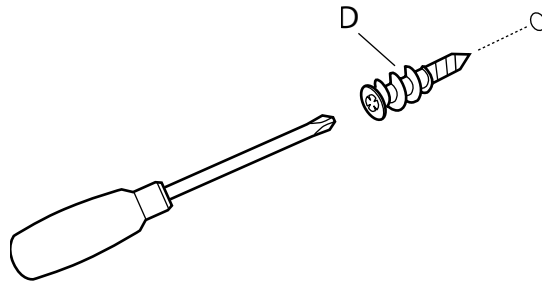
1. Insert rack (B) between ladder (A) posts as shown. Align holes on the rack with the holes on the ladder and fasten in place using bolt (C). Tighten bolt using allen key (D).



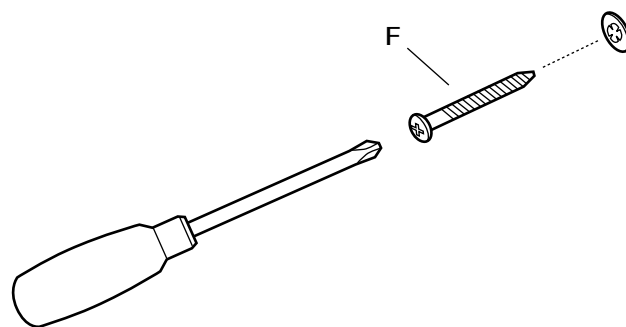
2. To install mini anchors drill into the wall 1 1/8" deep using a 1/4" drill bit. Use included template to locate drill points.



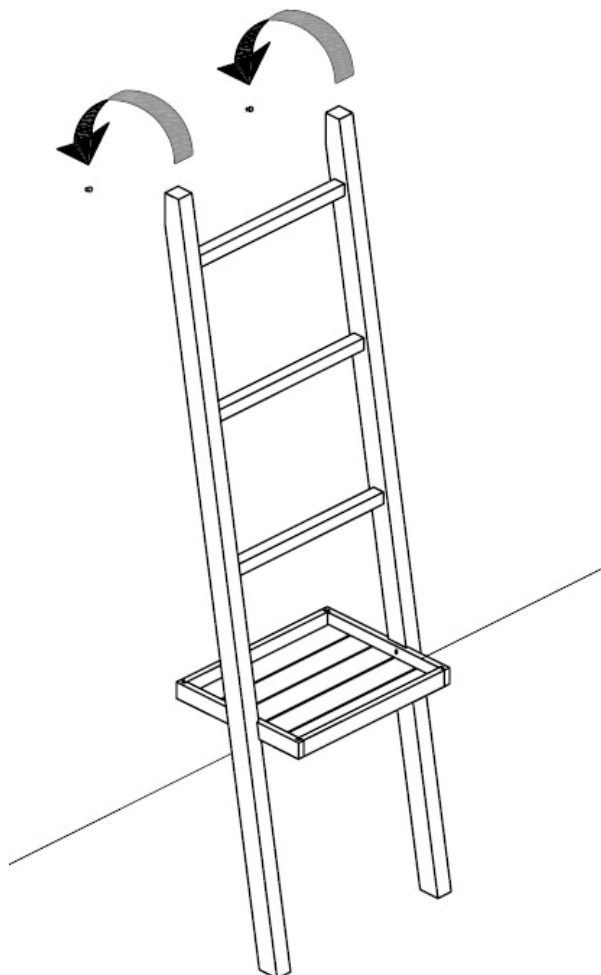
3. Install mini anchor (D) into the drilled holes using a screwdriver.



4. Install screw (F) into mini anchor using a screwdriver. Leave the screw head approximately 1/4" out from the wall.



5. Hang the ladder onto the screws, pressing down to secure.



CARE INSTRUCTIONS

Hardware may loosen over time. Periodically check that all connections are tight.

Wipe with a soft, dry cloth. To protect finish, avoid the use of chemicals and household cleaners.