

west elm : tapered wood floor lamp

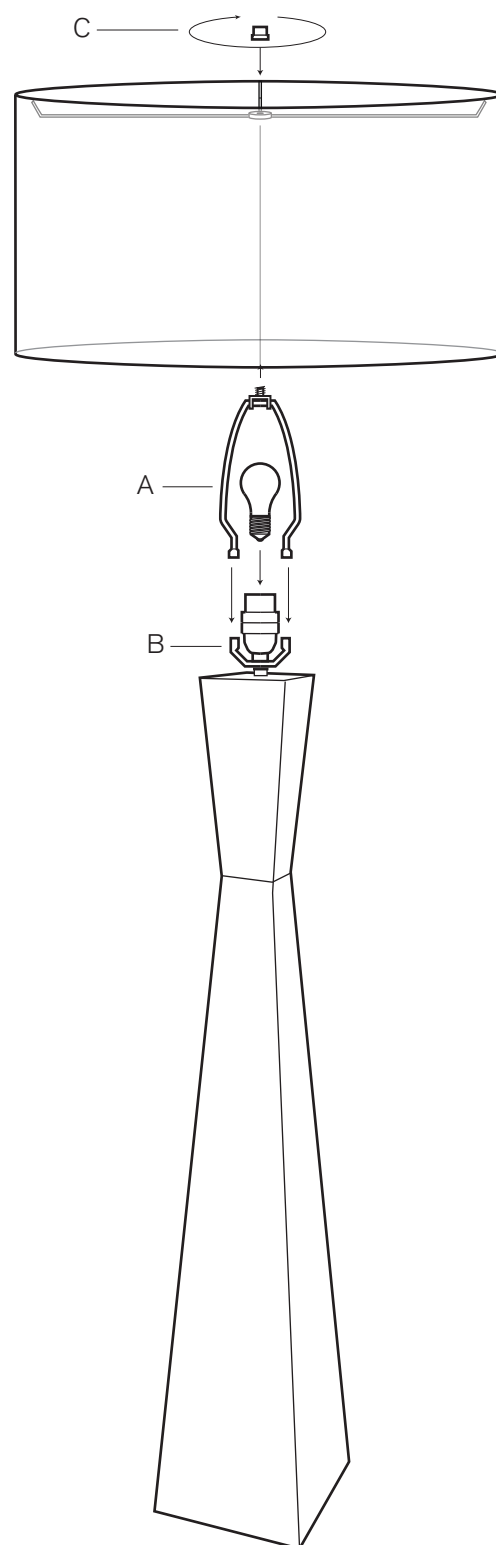
assembly instructions

! Use with a type A bulb. DO NOT USE WITH A BULB EXCEEDING 150 WATTS.

! Electric bulb should be centered inside the shade, making sure it does not touch the sides of the shade.

! Recommended for use with west elm lamp shades only

1. Press the sides of the harp (A) together in order to slide into slots in saddle (B).
2. Place shade on harp and secure by tightening cap nut (C) onto threaded rod.
3. Screw in lightbulb.



CARE INSTRUCTIONS.

Hardware may loosen over time. Periodically check that all connections are tight.

Wipe base with a soft, dry cloth. To protect the finish, avoid the use of all chemicals and household cleaners.