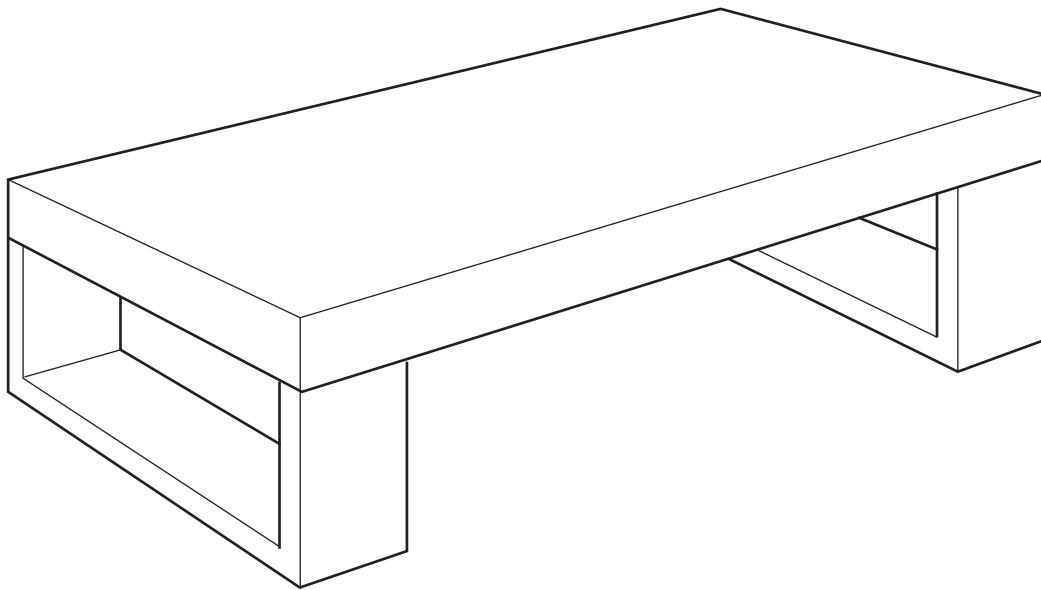


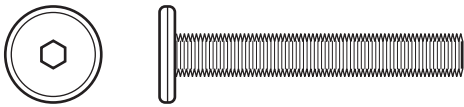
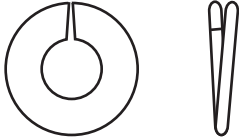
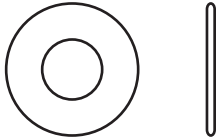

west elm: modular storage collection - medium base

assembly instructions



! Do not throw away packaging materials until assembly is complete.

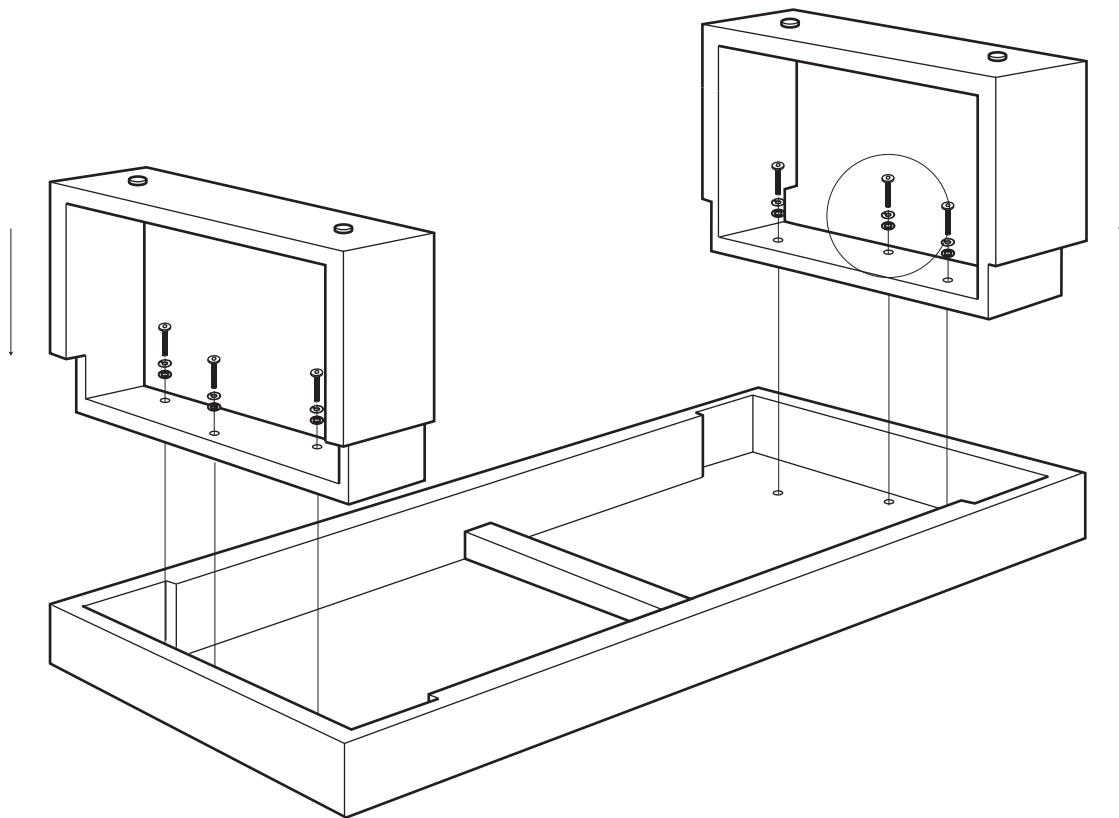
! Assemble this item on a soft surface, such as cardboard or carpet, to protect the finish.

<p>A</p>  <p>bolt: 1/4" dia x 1-1/4" 6x</p>	<p>B</p>  <p>lock washer 6x</p>
<p>C</p>  <p>metal washer 6x</p>	<p>D</p>  <p>allen key 1x</p>

west elm: modular storage collection - medium base

assembly instructions

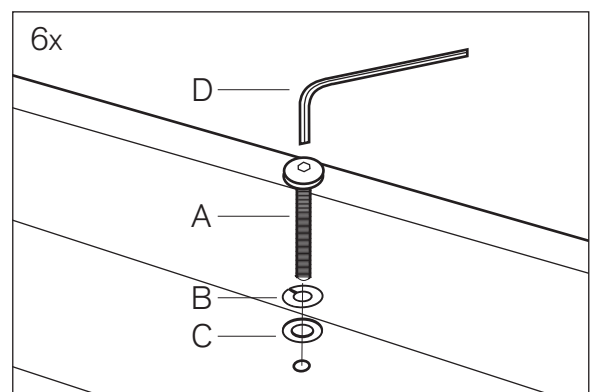
1. Turn top and legs upside down. Attach lock washer (B) and metal washer (C) with bolt (A). Insert into pre-drilled holes as shown. Tighten with allen key (D).
2. Turn base upright.



CARE INSTRUCTIONS:

Hardware may loosen over time. Periodically check that all connections are tight.

Wipe with a soft, dry cloth. To protect the finish, avoid the use of all chemicals and household cleaners.



west elm: modular storage collection - medium base

mounting instructions

OVERBALANCE PROTECTION:

- ! To prevent injury and property damage from unexpected tipping of furniture, we highly recommend installation of the two sets of overbalance protection hardware included with this product. We recommend mounting this hardware to a wall stud.
 - ! Use this overbalance protection hardware when stacking 3 to 4 units high.
1. Using screws, attach the two mounting brackets near the top left and top right back edges of the top unit(s).
 2. Determine where the units are to be placed. Mark the location on the wall approximately 2" below the brackets mounted to the back of the unit(s).
 3. If a wall stud is directly behind the mark made in step 2, skip to step 4. If a stud is not available, drill a 3/16" hole in the wall. Press the plastic drywall anchor into the hole and gently tap with a hammer or mallet until the flange of the anchor is against the wall surface.
 4. Position the bracket over the anchor or mark and use a screw to securely attach the bracket to the wall.
 5. Repeat steps 3 and 4 for second mounting bracket.
 6. Place the units so that the brackets on the unit(s) are in line with the brackets on the wall.
 7. Lace one end of the nylon restraint strap through the bracket on the wall and the bracket on the unit. Bring both ends together and slide the beaded end of the strap through the keyhole shaped slot in the other end until snug. Pull down on the beaded end until it snap locks into the keyhole slot. To double lock, return the beaded end back through the keyhole. Repeat for second bracket set.
 8. Check to make sure that the brackets are firmly installed and the strap is securely laced.

