

Asymmetry Ceramic Table Lamp - Medium Assembly Instructions

Important Safety Instructions:

- This portable luminaire has a polarized plug (one blade is wider than the other) as a safety feature to reduce the risk of electric shock. This plug will fit in a polarized outlet only one way. If the plug does not fit fully in the outlet, reverse the plug. If it still does not fit, contact a qualified electrician. Never use with an extension cord unless plug can be fully inserted. Do not alter the plug. Do not attempt to defeat this safety feature.
- These instructions are provided for your safety. It is very important that they are read carefully and completely before beginning the assembly and installation of this lighting fixture.
- This fixture has been rated for up to one (1) **75-watt maximum TYPE A standard incandescent light bulb** (not included) or one (1) **13-watt compact fluorescent light bulb** (not included) or one (1) **9-watt LED light bulb** (included). To avoid the risk of fire, **DO NOT EXCEED THE RECOMMENDED LAMP WATTAGE.**
- Use with approved West Elm Shades only, having a minimum opening diameter of 3-1/2 inches and a minimum lamp-to-shade spacing of 2-7/8 inches.
- This lamp is meant for indoor use.
- **Save these instructions.**

WARNING:

- **To reduce the risk of fire, electrical shock or personal injury, always turn off and unplug the light fixture and allow it to cool prior to replacing the light bulb.**
- **Do not touch bulb when fixture is turned on. Do not look directly at lit bulb.**
- **Keep flammable materials away from lit bulb.**

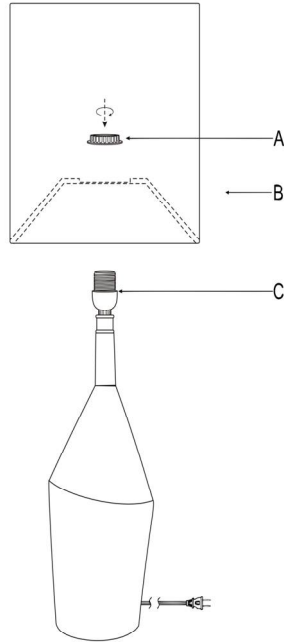
Pre-assembly:

- Remove all parts and hardware from box along with any plastic protective packaging.
- Do not discard any contents until after assembly is complete to avoid accidentally discarding small parts or hardware.

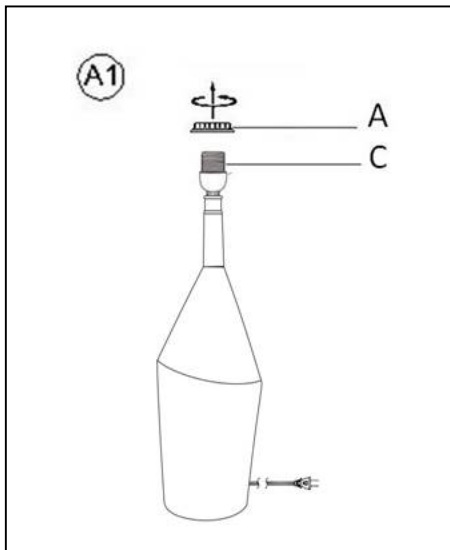
Asymmetry Ceramic Table Lamp - Medium Assembly Instructions

Parts Included:

- (A) Socket Ring (1)
- (B) Shade (1)
- (C) Socket (1)

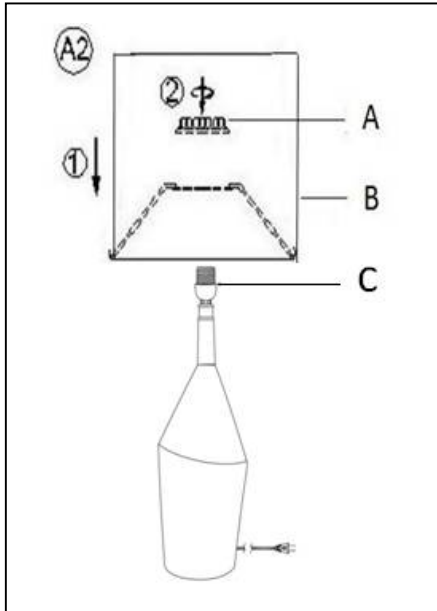


Assembly & Installation Instructions:

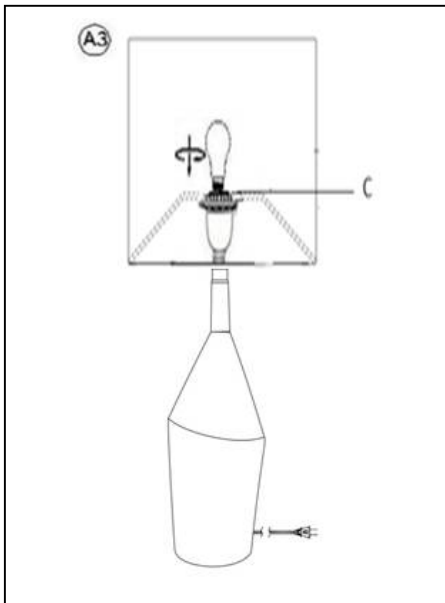


Unscrew Socket Ring (A) from Socket (C) by turning counter-clockwise.

Asymmetry Ceramic Table Lamp - Medium Assembly Instructions



Place the Shade (B) over onto the Socket (C) and secure the shade in place by turning the Socket Ring (A) in a clockwise direction until tight.



Insert the specified light bulb into the Socket (C). DO NOT EXCEED THE SPECIFIED WATTAGE.

Care instructions:

- Wipe clean with a soft, dry cloth or static duster.
- Always avoid the use of harsh chemicals or abrasive cleaners as they may cause damage to the fixture's finish

Thank you for your purchase
Stores | catalog | www.westelm.com