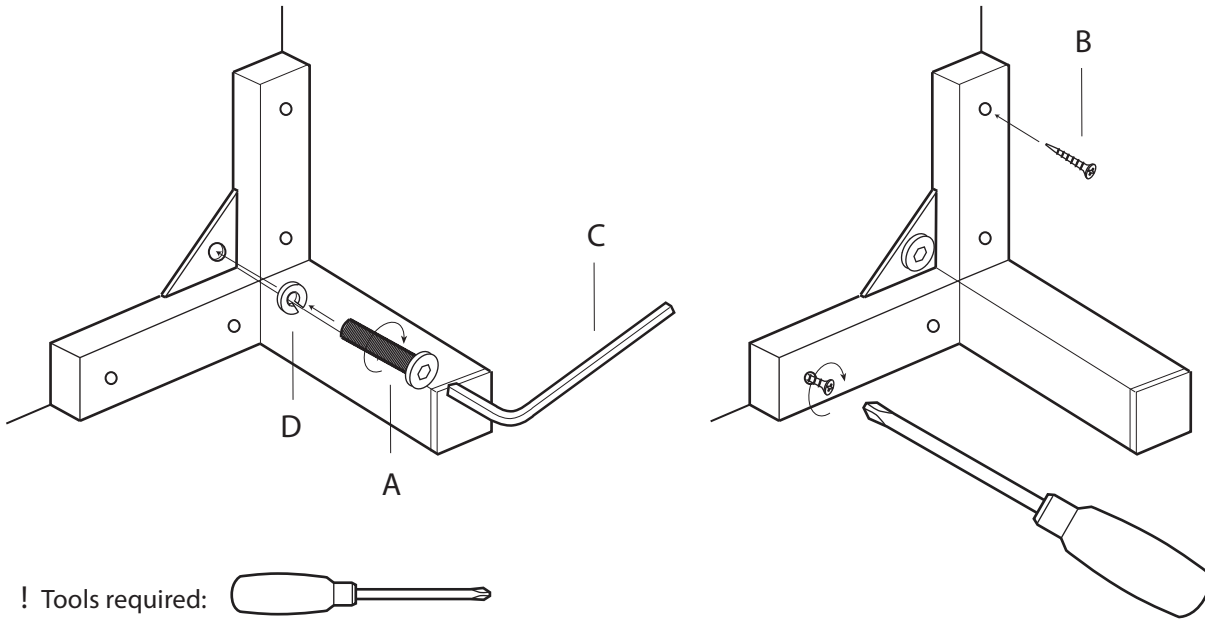


west elm : armless sectional sofa / chair / single / ottoman

assembly instructions

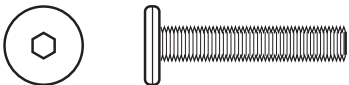
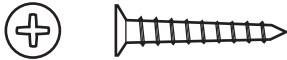
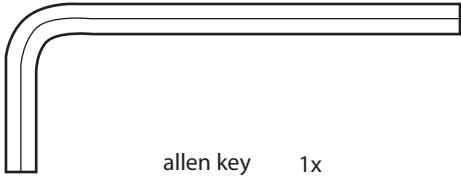
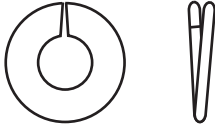
1. Set the upholstered seat so that the attachmet holes on the bottom are accessible as shown.
2. Align large holes on mounting plates of legs with holes on bottom surface of the seat. Attach legs to seat base with bolts (A). Tighten with allen key (C). Take care to align the sides of the leg with the edges of the seat.
3. Insert wood screws (B) through two outermost small holes as shown. Tighten with Phillips head screwdriver.



! Tools required: 

! Do not throw away packaging materials until assembly is complete.

! Assemble this item on a soft, clean surface, such as cardboard or carpet, to protect the finish.

<p>A</p>  <p>bolt: 1/4" DIA x 1 3/4" 4x</p>	<p>B</p>  <p>screw: 1/8" DIA x 1 3/8" 8x</p>
<p>C</p>  <p>allen key 1x</p>	<p>D</p>  <p>lock washer 4x</p>

CARE INSTRUCTIONS.

Upholstered seat: Spot clean only. Vacuum or brush with a soft brush regularly, at least once a month. For spills, immediately dab with a towel dampened with club soda or distilled water. To clean, use a commercial dry foam upholstery cleaner. Follow manufacturer's directions. Test for color fastness first on the fabric on the bottom of the seat.

Legs: Wipe with a soft, dry cloth. To protect the finish, avoid the use of all chemicals and household cleaners.