

### Important Safety Instructions:

- These instructions are provided for your safety. It is very important that they are read carefully and completely before beginning the assembly and installation of this lighting fixture.
- This portable luminaire has a polarized plug (one blade is wider than the other) as a safety feature to reduce the risk of electric shock. This plug will fit in a polarized outlet only one way. If the plug does not fit fully in the outlet, reverse the plug. If it still does not fit, contact a qualified electrician. Never use with an extension cord unless plug can be fully inserted. Do not alter the plug. Do not attempt to defeat this safety feature.
- This fixture has been rated for up to one (1) **60-watt maximum TYPE A standard incandescent light bulb** (not included) or one (1) **13-watt compact fluorescent light bulb** (not included) or one (1) **9-watt SBLED light bulb** (included). To avoid the risk of fire, do not exceed the recommended lamp wattage.
- Use with approved WEST ELM shades only, having a minimum opening diameter of 3-1/2 inches and a minimum lamp-to-shade spacing of 2-1/2 inches.
- The lamp is meant for indoor use.
- **Save these instructions.**

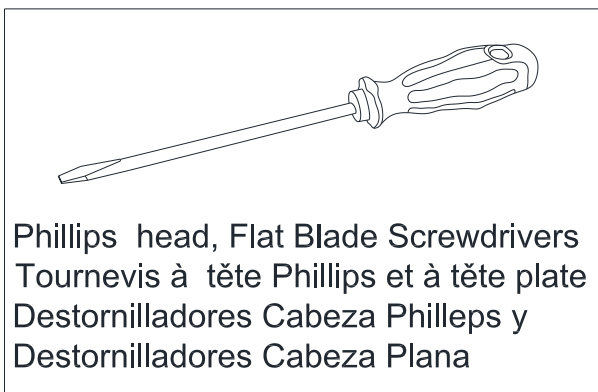
### WARNING:

- **To reduce the risk of fire, electrical shock or personal injury, always turn off and unplug the light fixture and allow it to cool prior to replacing the light bulb.**
- **Do not touch bulb when fixture is turned on. Do not look directly at lit bulb.**
- **Keep flammable materials away from lit bulb.**

### Pre-assembly:

- Remove all parts and hardware from box along with any plastic protective packaging.
- Do not discard any contents until after assembly is complete to avoid accidentally discarding small parts or hardware.

### TOOLS REQUIRED (not included):

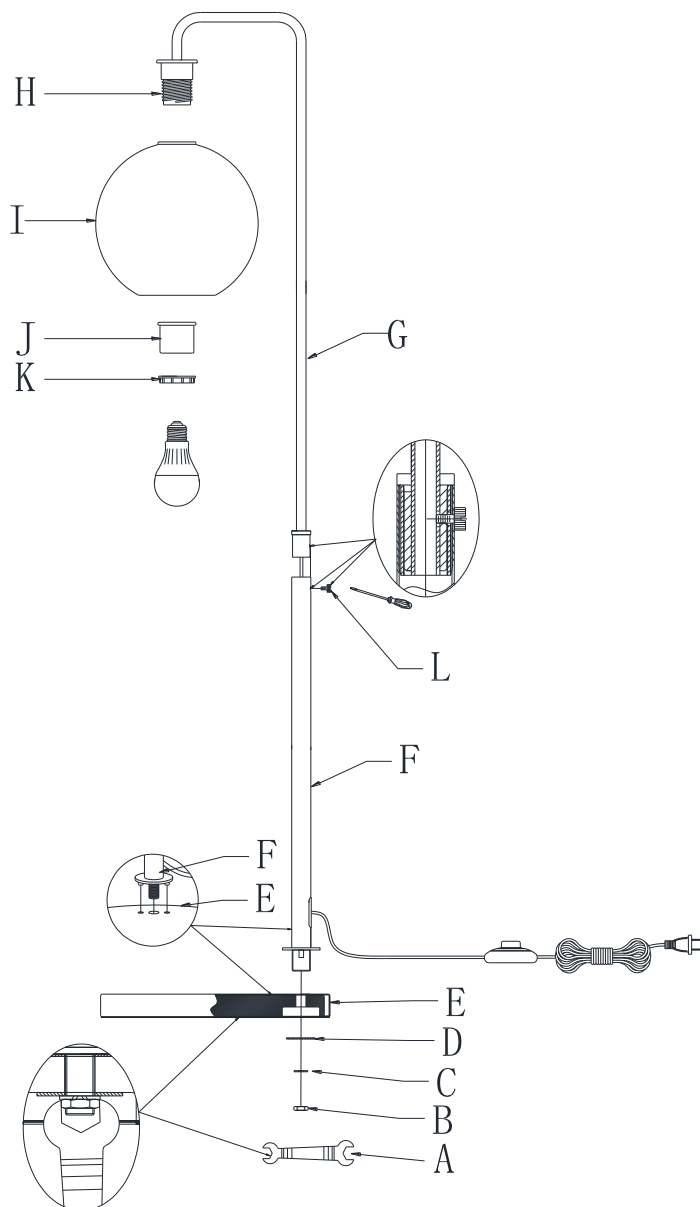
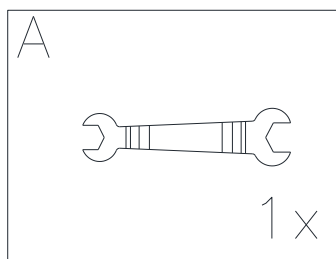


**Parts Included:**

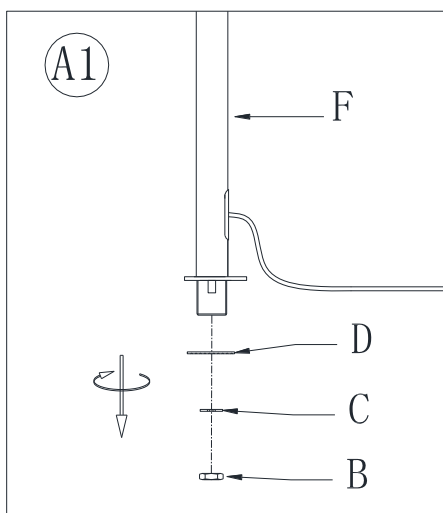
- (B) Fixing Nut (1)
- (C) Spring Washer (1)
- (D) Flat Washer (1)
- (E) Base (1)
- (F) Tube (1)
- (G) Stem (1)
- (H) Socket (1)
- (I) Glass Shade (not included)
- (J) Spacer (1)
- (K) Socket Ring (1)
- (L) Screw (1)

**Hardware Enclosed:**

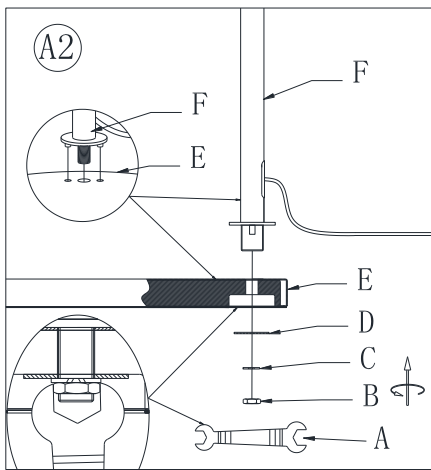
- (A) Wrench (1)



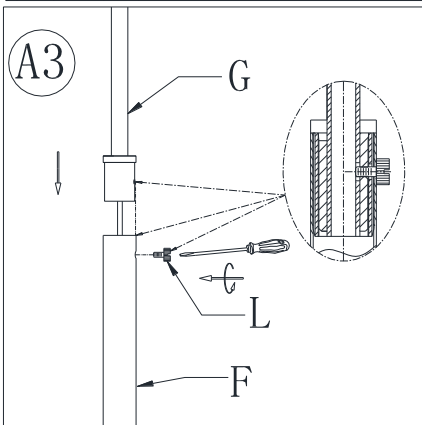
**To Assemble:**



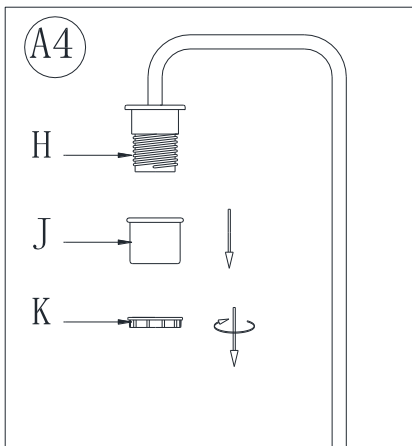
1. Unscrew the Fixing Nut (B), Spring Washer (C) and Flat Washer (D) from the Tube (F) by turning counter-clockwise.



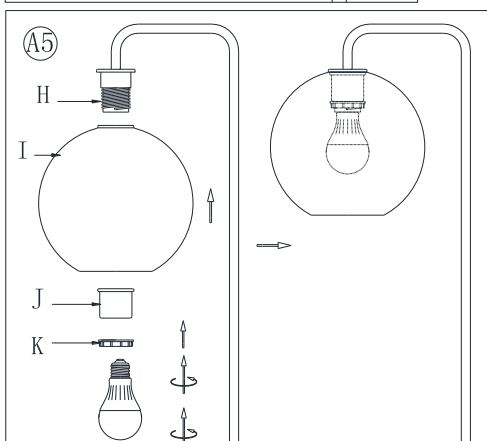
- Align and insert the Tube (F) with the 3 holes on the Base (E), position Flat Washer (D) , Spring Washer (C) and Fixing Nut (B) on the Tube (F). Rotate the Fixing Nut (B) clockwise and tight firmly with a Wrench (A) provided.



- Attach and align the Stem (G) into the Tube (F), insert the Screw (L) into the hole and tighten with a screwdriver until secure as shown in Diagram#A3.



- Unscrew the Socket Ring (K) and Spacer (J) from the Socket (H) by rotating the Socket Ring (K) in a counter-clockwise direction.



- Attach the Glass Shade (I) (not included) onto the Socket (H), Place the Spacer (J) onto the Socket (H). Secure Glass Shade (I) (not included) and Spacer (J) by rotating the Socket Rings (K) in a clockwise direction until tight.  
Insert the specified light bulb into the Socket (H).  
**DO NOT EXCEED THE SPECIFIED WATTAGE.**

#### Care Instructions:

- Wipe clean with a soft, dry cloth or static duster.
- Always avoid the use of harsh chemicals or abrasive cleaners as they may cause damage to the fixture's finishing.

Thank you for your purchase  
Stores | catalog | [www.westelm.com](http://www.westelm.com)  
USA 888-922-4119

US/CN

Page 3 of 3