

 CAUTION

The top shelf of this cart/stand is intended for use with: Plasma/HD televisions having a maximum screen size of 42 inches and weight of 100 lbs; or Tube televisions having a maximum screen size of 27 inches and weight of 95 lbs.

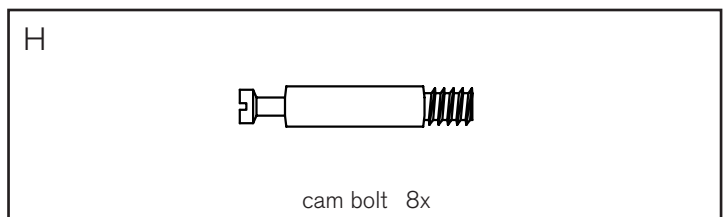
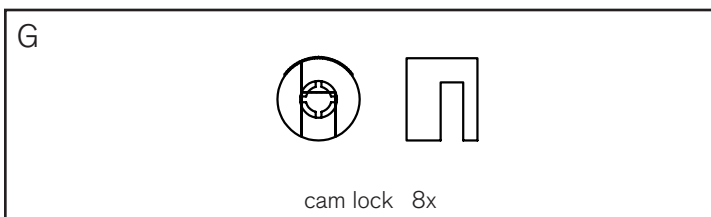
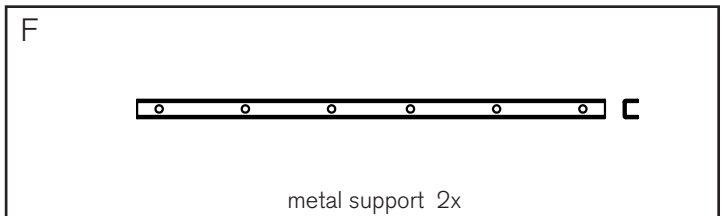
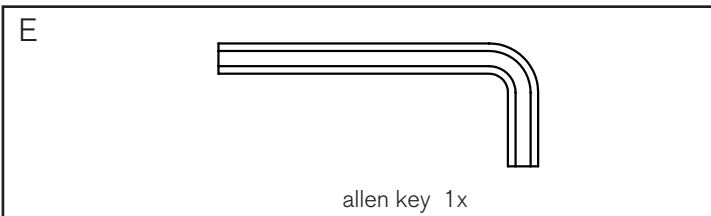
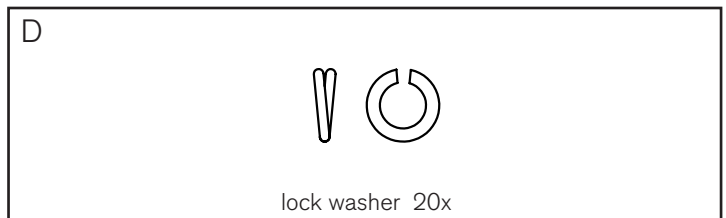
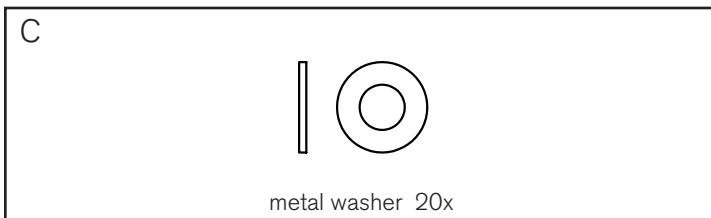
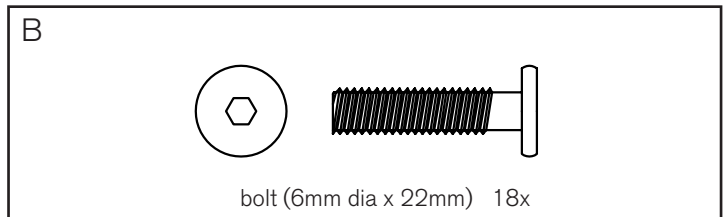
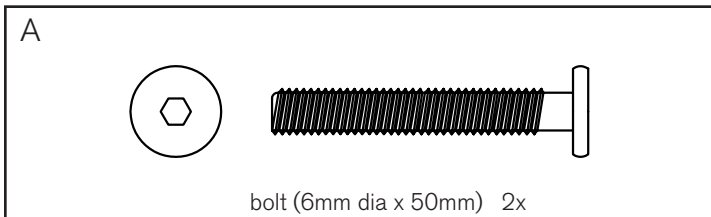
! Tools required: 

! Do not throw away packaging materials until assembly is complete.

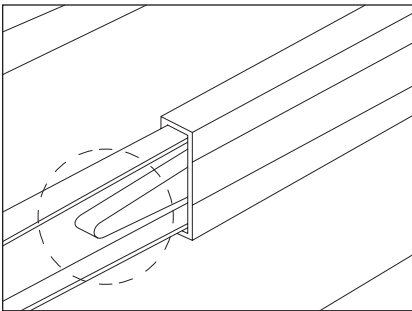
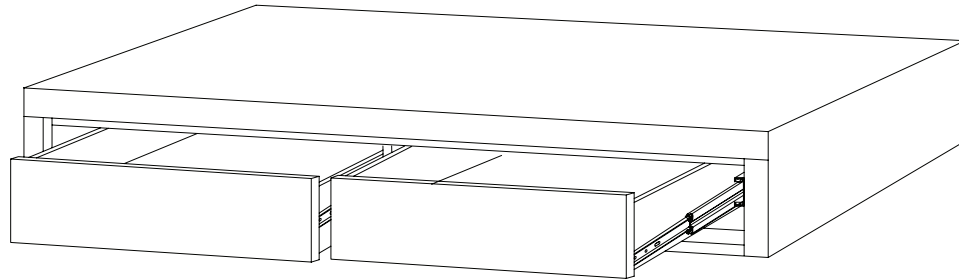
! Assemble this item on a soft surface, such as cardboard or carpet, to protect finish.

! Proper assembly of this item requires 2 people.

! This item comes in two boxes containing the back panel and the stand.

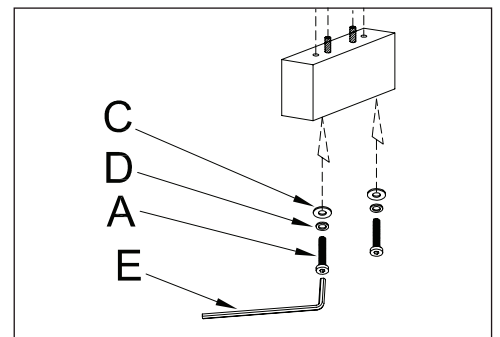
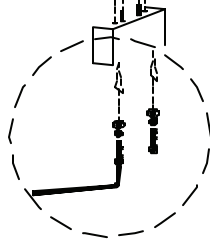
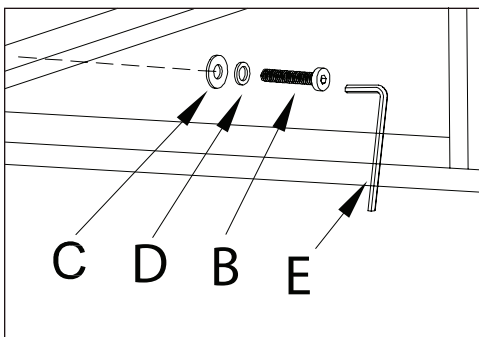
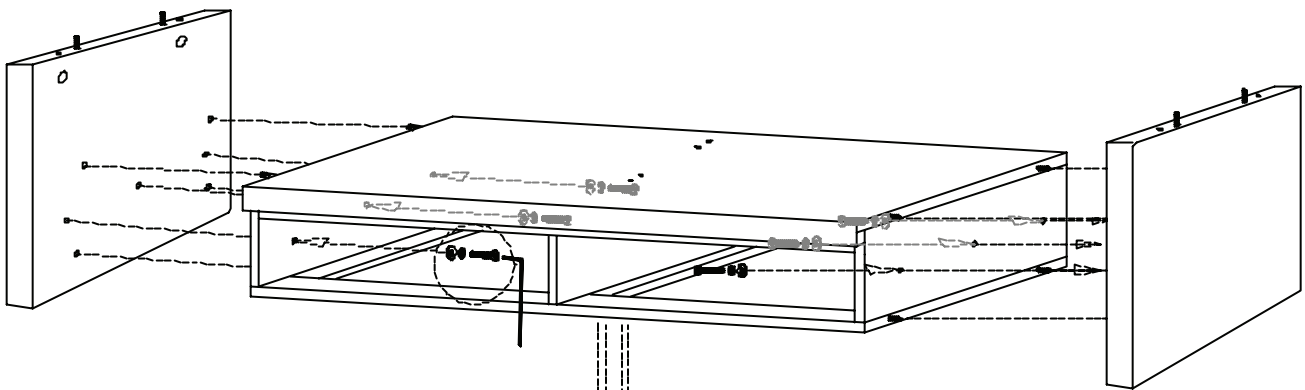


1. Remove drawers from drawer unit. Lift up/push down plastic levers on opposite sides to release drawers while pulling out. Facing the drawers, the left lever will need to be pushed up and the right lever will need to be pushed down at the same time while pulling the drawer out. (Note : when handling the levers be aware that these may be greasy).

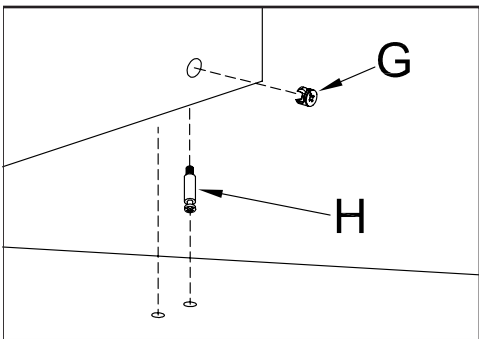
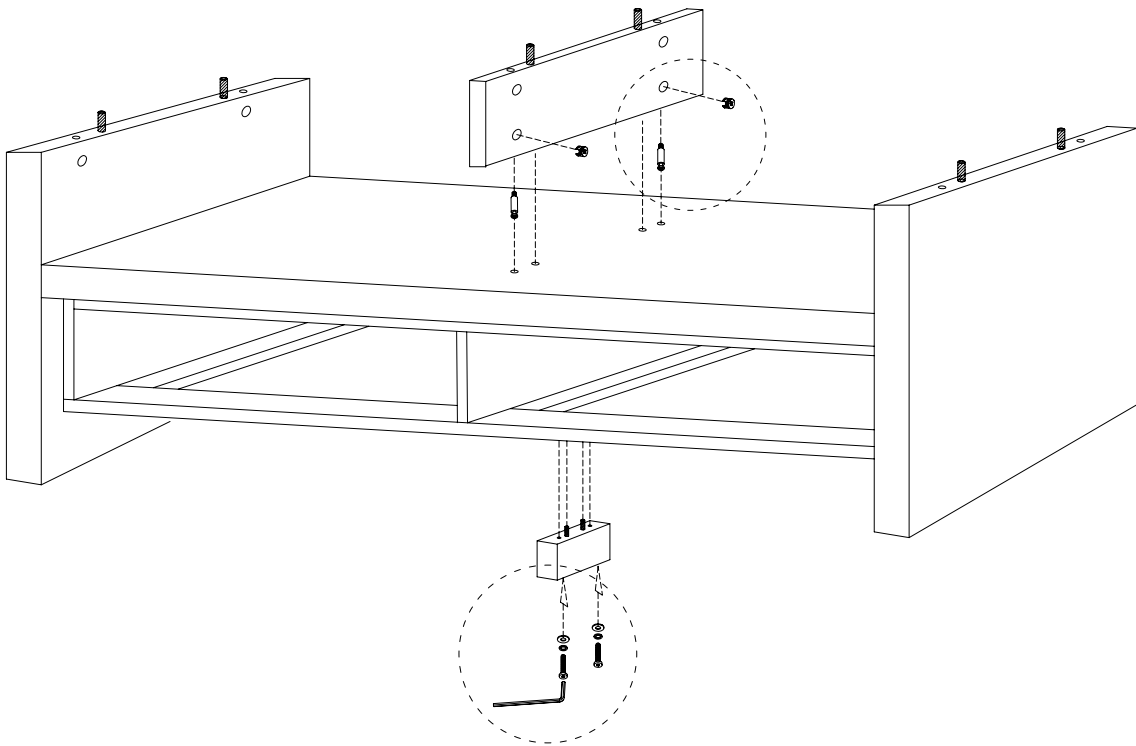


2. Fasten center foot to drawer unit using metal washers (C), lock washers (D), and bolts (A) in order as shown. Tighten bolts using allen key (E).

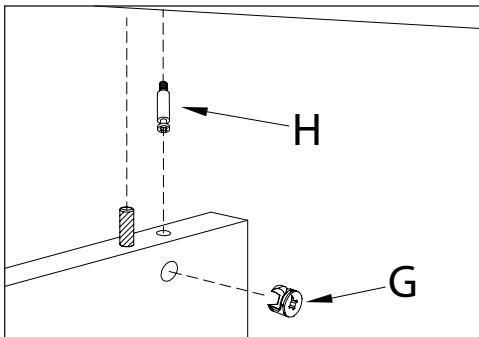
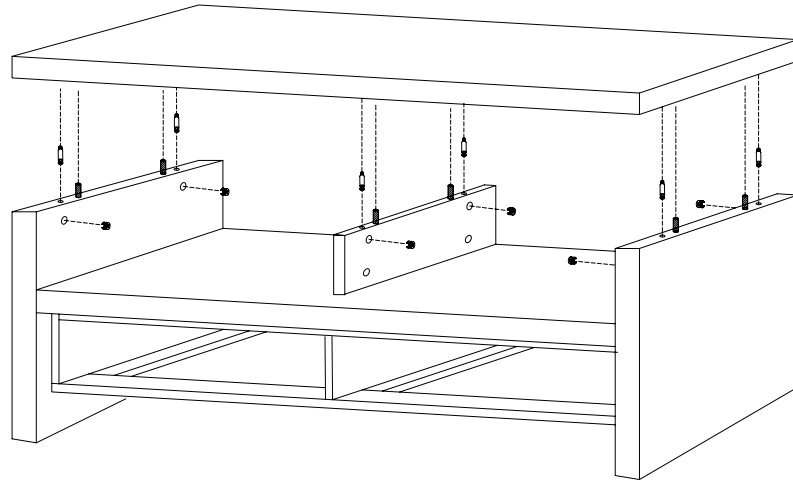
3. Fasten side panels to drawer unit using metal washers (C), lock washers (D), and bolts (B) in order as shown. Tighten bolts using allen key (E).



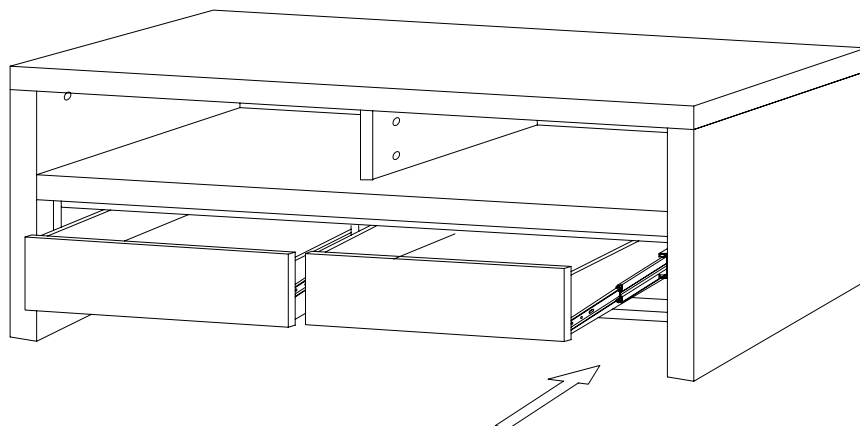
4. Screw cam bolts (H) into drawer unit as shown. Insert cam locks (G) into holes in center panel, making sure the arrow on the cam locks points towards the hole in the edge of the panel. Set top panel onto side panel, fitting cam bolt into cam locks. Tighten cam locks with a Phillips screwdriver.



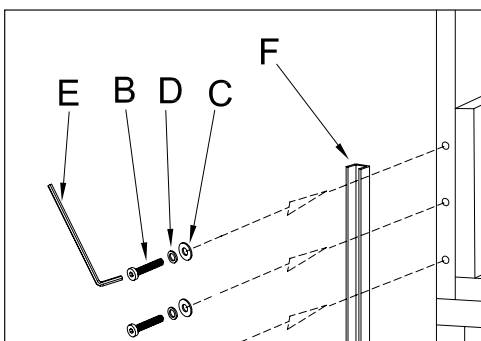
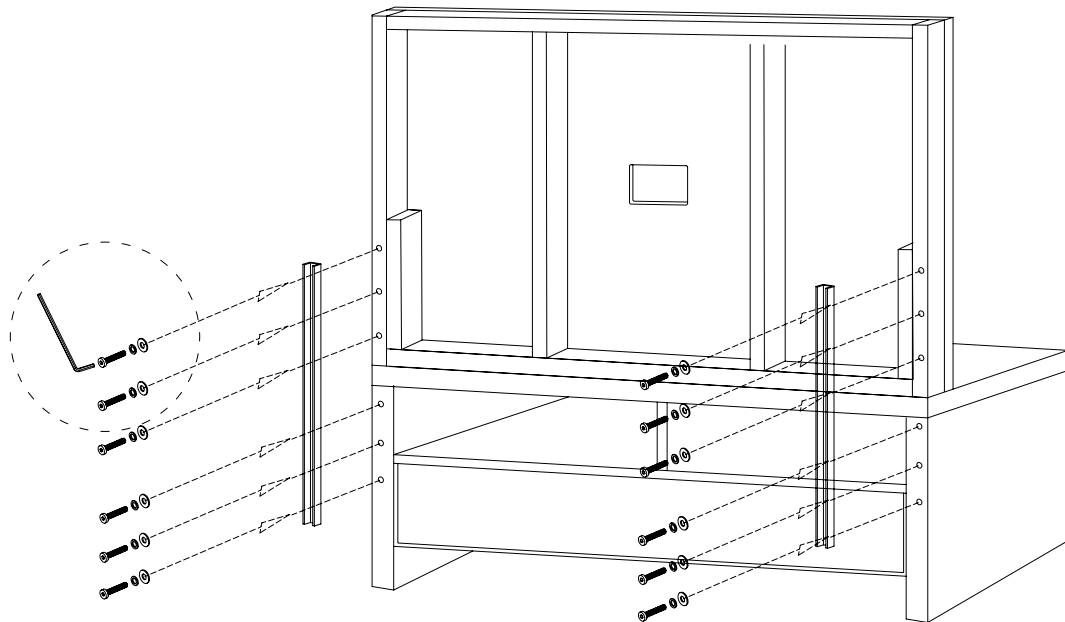
5. Screw cam bolts (H) into top panel. Insert cam locks (G) into holes in side panels, making sure the arrow on the cam locks points towards the hole in the edge of the panel. Set top panel onto side panel, fitting cam bolt into cam locks. Tighten cam locks with a Phillips screwdriver.



6. Insert drawers into drawer unit.



7. Fasten back panel to side panels through metal support (F) using metal washers (C), lock washers (D), and bolts (B) in order as shown. Tighten bolts using allen key (E).



CARE INSTRUCTIONS

Hardware may loosen over time. Periodically check that all connections are tight.

Wipe with a soft, dry cloth. To protect finish, avoid the use of chemicals and household cleaners.

OVER BALANCE To prevent injury and property damage from unexpected tipping of furniture, we highly recommend installation of the two (2) sets of overbalance protection hardware included with this product.

1. Attach the two mounting brackets horizontally to the top back edge of the furniture. Insert the short screws through the holes in the bracket and tighten securely using screwdriver.
2. Determine where the furniture is to be placed and mark location on the wall for the other two mounting bracket screw holes. It should be placed approximately 2" below the bracket mounted to the furniture.
3. Attach the two mounting brackets vertically to the wall by inserting the long screws provided through the holes in the bracket and tightening securely using screwdriver.
4. Place the furniture so the brackets on the back edge are in line with the brackets on the wall.
5. Lace an end of the nylon restraint strap down through each bracket. Bring both ends together and slide the thin end of the strap through the receiving end of the strap until snug.
6. Check to make sure the strap is securely laced and locked to the brackets.
7. Repeat steps 5 and 6 for the second bracket set.

