
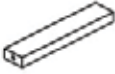
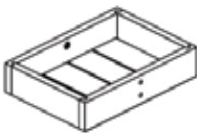
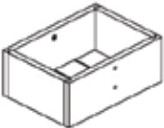
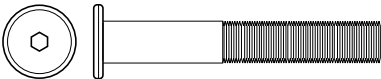

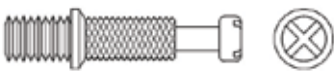
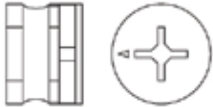


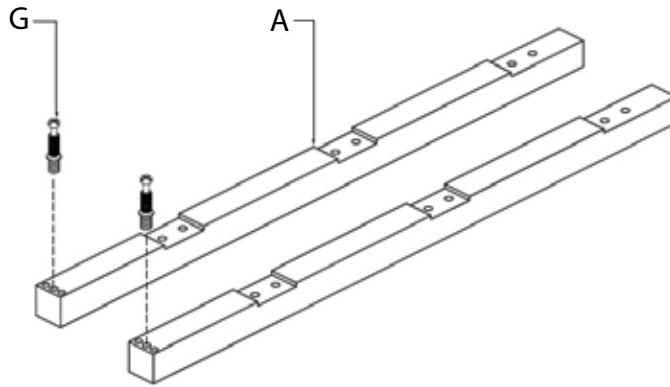
! Tools required: 

! Do not throw away packaging materials until assembly is complete.

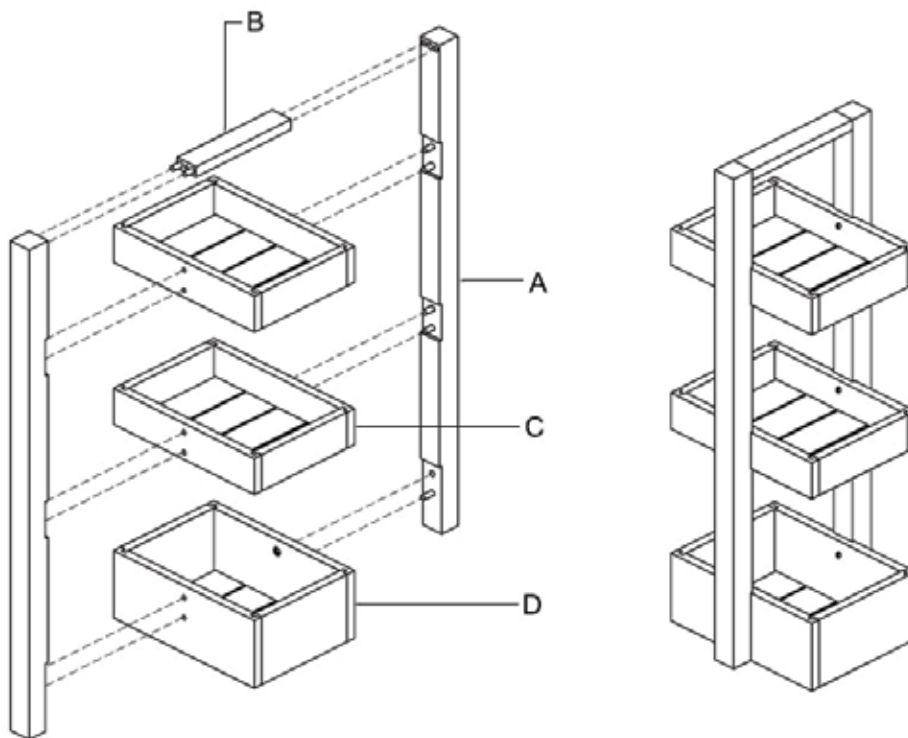
! Assemble this item on a soft surface, such as cardboard or carpet, to protect finish.

<p>A</p>  <p>pole 2x</p>	<p>B</p>  <p>handle 1x</p>
<p>C</p>  <p>upper rack 2x</p>	<p>D</p>  <p>lower rack 1x</p>
<p>E</p>  <p>bolt: 1/4" dia by 1 3/8" 2x</p>	<p>F</p>  <p>allen key 1x</p>
<p>G</p>  <p>cam bolt 2x</p>	<p>H</p>  <p>cam lock 2x</p>

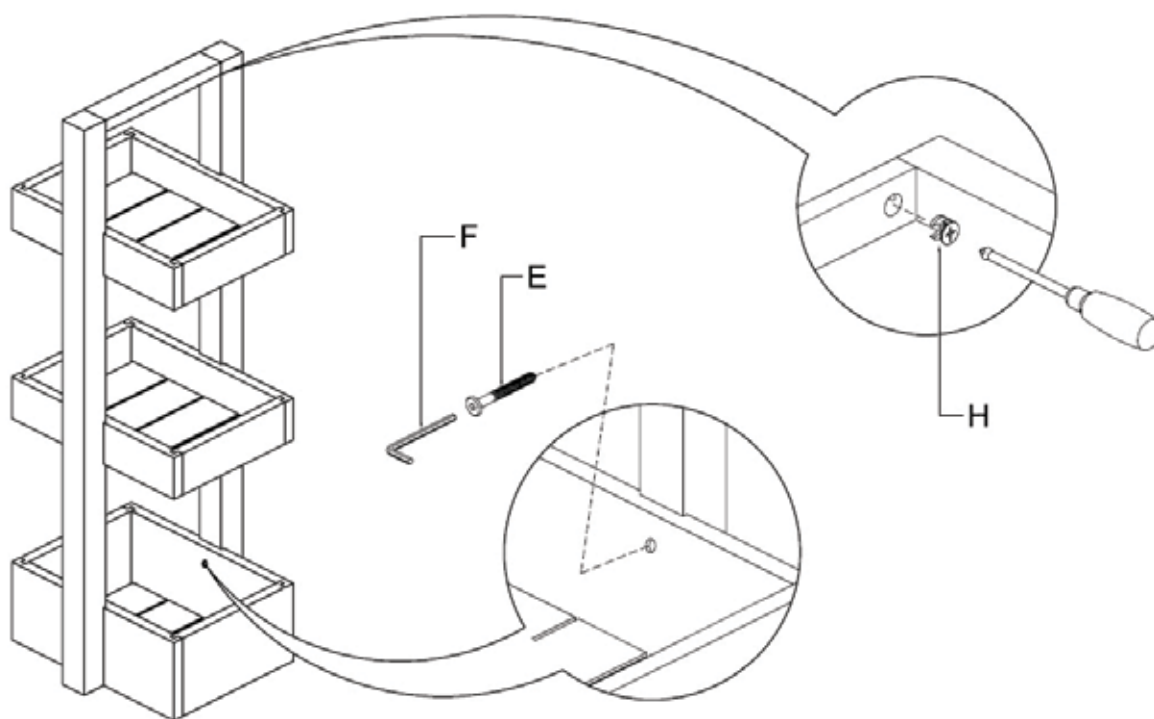
1. Insert cam bolt (G) into pole as shown and tighten using phillips screwdriver.



2. Insert handle (B), upper racks (C), and lower rack (D) into posts as shown.



3. Insert cam lock (H) into the hole under the handle as shown. The arrow on the cam lock should point towards the pole. Tighten the cam lock with a phillips screwdriver.
4. Insert the bolt (E) into the hole in lower rack as shown and tighten using the allen key (F).



#### CARE INSTRUCTIONS

Hardware may loosen over time. Periodically check that all connections are tight.

Wipe with a soft, dry cloth. To protect finish, avoid the use of chemicals and household cleaners.