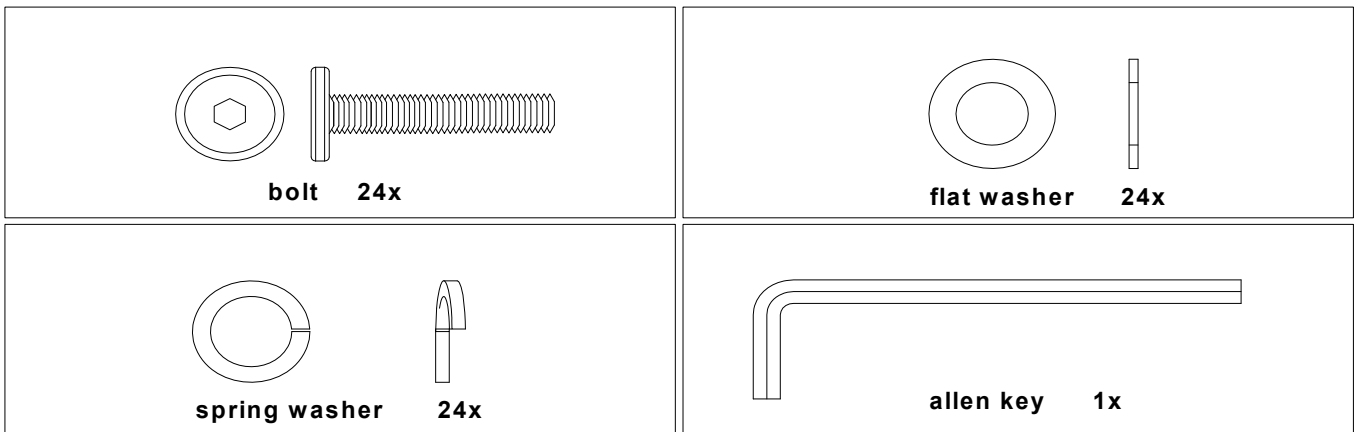


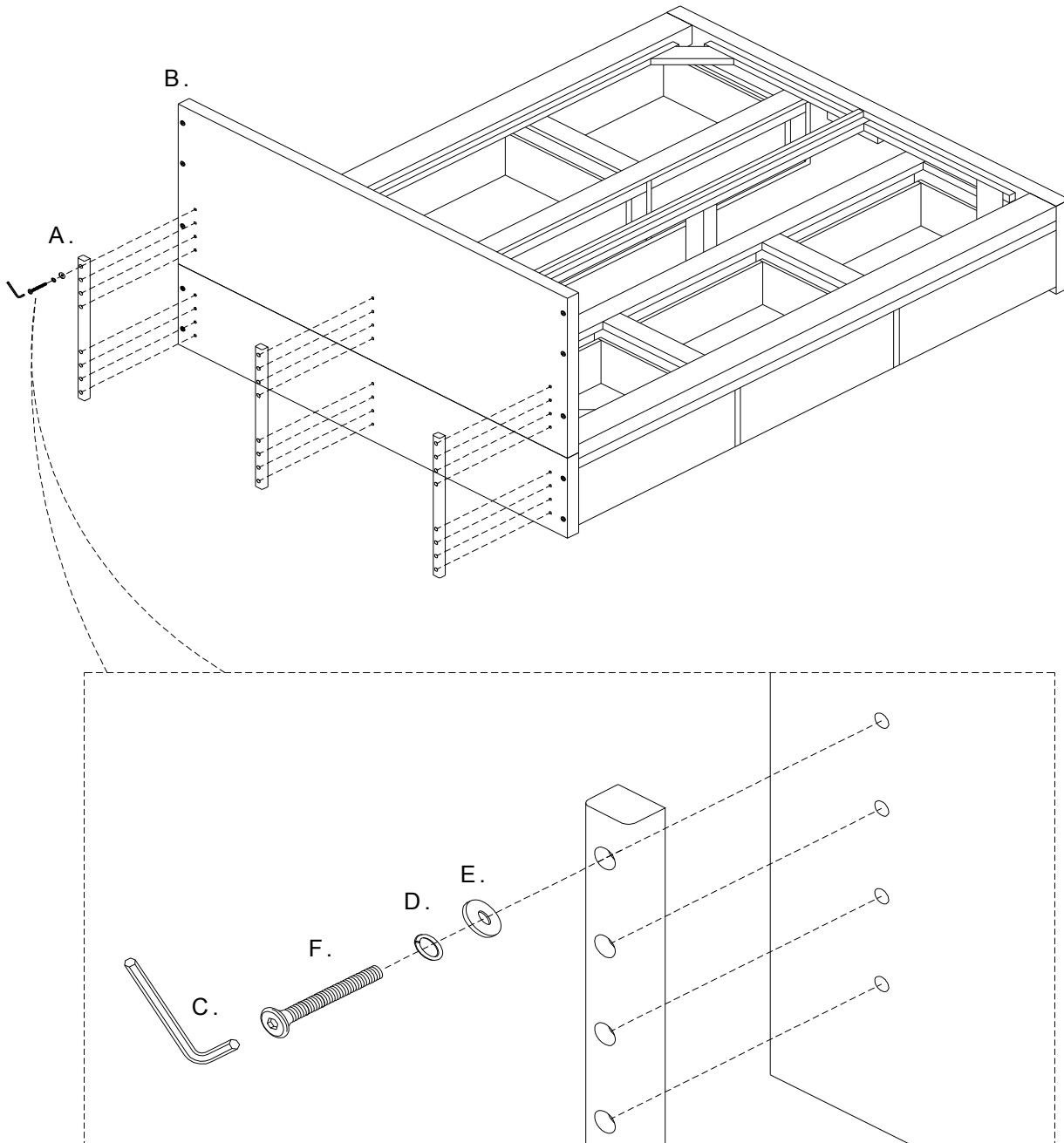
! Do not throw away packaging materials until assembly is complete.

! Assemble this item on a soft surface, such as cardboard or carpet, to protect finish.

! Proper assembly of this item requires 2 people.



1. Attach headboard to platform bed frame with 3 wooden rails as shown. Insert a bolt (F) through a spring washer (D), flat washer (E) and into the insert nut using an allen key (C). Repeat with the remaining hardware.



#### CARE INSTRUCTIONS

Hardware may loosen over time. Periodically check that all connections are tight.

Wipe with a soft, dry cloth. To protect finish, avoid the use of chemicals and household cleaners.