

Country of Destination: US/CN UK/EU/AUS Middle East

CAUTION:

- **BEFORE INSTALLING FIXTURE, MAKE SURE THE POWER TO THE CIRCUIT IS TURNED OFF AT THE MAIN FUSE BOX / CIRCUIT BREAKER UTILITY BOX.**

Important Safety Instructions:

- These instructions are provided for your safety. It is very important that they are read carefully and completely before beginning the assembly and installation of this lighting fixture.
- We strongly recommend that a professional electrician install all direct wire fixtures.
- THIS PRODUCT MUST BE INSTALLED IN ACCORDANCE WITH THE APPLICABLE INSTALLATION CODES BY A PERSON FAMILIAR WITH THE CONSTRUCTION AND OPERATION OF THE PRODUCT AND THE HAZARDS INVOLVED.
- The lighting fixture is meant for indoor use. It must be connected only to 3-wire, single-phase electrical supply systems (provided with Ground wire or equivalent protection system).
- For your safety, it is strongly recommended that two people install the lighting fixture.
- **Light bulb should be centered inside the each shade. Making sure it does not touch the shade sides.**
- This fixture has been rated for up to six (6) **40-watt maximum TYPE A standard incandescent light bulbs** (not included) or six (6) **9-watt compact fluorescent light bulbs** (not included). To avoid the risk of fire, do not exceed the recommended wattage.
- The lighting fixture is meant for indoor use, DRY LOCATIONS ONLY.
- **Save these instructions.**

WARNING:

- **To reduce the risk of fire, electrical shock or personal injury, always turn off light fixture and allow it to cool prior to replacing light bulb.**
- **Do not touch bulb when fixture is turned on. Do not look directly at lit bulb.**
- **Keep flammable materials away from lit bulb.**
- **This lighting fixture contains lead, a chemical known to the State of California to cause cancer, birth defects and other reproductive harm. Wash hands after installing, handling, cleaning or otherwise touching this light fixture.**

Pre-assembly:

- Remove all parts and hardware from box along with any plastic protective packaging.
- Do not discard any contents until after assembly is complete to avoid accidentally discarding small parts or hardware.
- For your safety and convenience, assembly by two people is recommended.

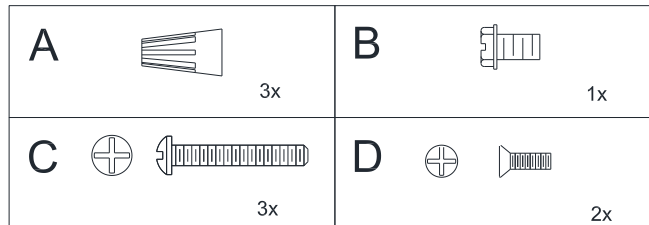
Pelle Asymmetrical Chandelier Assembly Instructions

Parts Included:

- (1) Canopy (E)
- (1) Pivot (F)
- (3) 12 in. Tubes (G)
- (1) 6 in. Tube (H)
- (6) Threaded Nuts (I)
- (3) Small Metal Caps (J)
- (3) Small Metal Plates (K)
- (3) Small Glass Shades (L)
- (3) Large Glass Shades (M)
- (3) Large Metal Plates (N)
- (3) Large Metal Caps (O)
- (6) Threaded Tubes (P)
- (6) Small Plastic Pads (Q)
- (6) Sockets (R)
- (6) Large Plastic Pads (S)
- (1) Mounting Plate (T)

Hardware Enclosed:

- (3) Plastic Wire Nut Connectors (A)
- (1) Green Ground Screw (B)
- (3) Mounting Screws (C) (includes (1) extra)
- (2) Canopy Screws (D)



TOOLS REQUIRED (not included): Ladder, Phillips Head & Flat Blade Screwdrivers, Wire Cutter/Stripper, Pliers and Electrical Tape.

To Adjust the Suspension Length of the Fixture:

1. Note: The adjustment or shortening of the lighting fixture's suspension length is only needed if the factory set length is not appropriate for your installation. We recommend that you adjust the suspension length to the proper desired length before cutting the electrical cord.
2. Determine the lighting fixture suspension length from the ceiling for the product installation, allowing the extra cord length for the outlet junction box wire connections as noted below.
3. Pull out the fixtures 2 wire power cord and bare copper ground wire from the Canopy (E) and Pivot (F).
4. If you would like to use only one 12 in. Tube (G), then thread the 2 wire power cord and bare copper ground wire through the tube, making sure the tube nipple joint end is downward as shown in diagram. Attach the 12 in. Tube (G) to the 6 in. Tube (H) by rotating the two parts clockwise until tightly secure.
5. Use the additional 12 in. Tubes (G) as needed, to adjust the fixture's suspension length by following the similar procedure as outlined in steps 2 – 4.
6. If needed, (depending upon final fixture hanging position from the ceiling), cut off the extra power cord length on the 2 wire cord and bare copper ground wire. Make sure, when cutting the power cord and bare copper ground wire, to cut them so that they all are at least 6 inches (152.4 mm) long within the outlet junction box (J-box). Prepare the cut power cord wires using the following steps. Use wire strippers to prepare the ends of the two wires so that there is about 1/2 inch of exposed wire for the Plastic Wire Nut Connectors (A).

Pelle Asymmetrical Chandelier Assembly Instructions

Assembly & Installation Instructions:

1. **SHUT OFF THE MAIN ELECTRICAL SUPPLY FROM THE MAIN FUSE BOX/CIRCUIT BREAKER!**
2. Carefully unpack all fixture parts and hardware and lay them out on a clear workspace.
3. If the parts are not already preassembled or if suspension length adjustments were not made, please use the instruction section above "To Adjust the Suspension Length of the Fixture" for the proper assembly of the Tubes (G & H) to the desired suspension length.
4. If needed, separate Mounting Plate (T) from Canopy (E) by removing two Canopy Screws (D). Do not discard Canopy Screws (D) as these will be used later.
5. Thread the fixture's 2 wire power cord and bare copper ground wire first through the Pivot (F) and then Canopy (E). Attach the bottom threaded portion of the Pivot (F) into the upper installed 12 in. Tube (G) by rotating the two parts clockwise until tight.
6. If needed, (depending upon final fixture hanging position from the ceiling), cut off the extra power cord length on the 2 wire cord and bare copper ground wire. Make sure, when cutting the power cord and bare copper ground wire, to cut them so that they all are at least 6 inches (152.4 mm) long within the outlet junction box (J-box). Prepare the cut power cord wires using the following steps. Use wire strippers to prepare the ends of the two wires so that there is about 1/2 inch of exposed wire for the Plastic Wire Nut Connectors (A).
7. Gently pull existing wire down from the junction box and allow wires to hang. The HOT or LIVE wire is usually black. The NEUTRAL wire is usually white. Check to see if there is a ground wire that is usually green or green with a yellow stripe or exposed copper metal wire. If needed, use a pair of wire strippers to remove about 1/2 inch of insulation from each wire.
8. Insert the fixture wires through the center opening of the Mounting Plate (T).
9. Carefully inspect the fixtures wires. The NEUTRAL FIXTURE WIRE has FINE LONGITUDINAL RIDGES running along its length. The HOT FIXTURE WIRE is SMOOTH and the BARE COPPER WIRE is the GROUND WIRE. If you have any doubt and cannot identify the power-supply wires with confidence, then we recommend that you ask an electrician and that you not continue with the installation.
10. With the help of another person to hold the weight of the fixture, attach the GROUND WIRE from the fixture to the GROUND JUNCTION BOX WIRE from the ceiling outlet junction box (J-box) (usually green insulation or bare wire). Fasten each together with a Plastic Wire Nut Connector (A) by twisting the connector in a clockwise direction and wrap the connection with electrical tape. Be sure that no wire strands are exposed. If your outlet junction box DOES NOT have a GROUND WIRE, be sure to insert the Green Ground Screw (B) into the Mounting Plate (T) marked as "GND", facing downward and wrap the fixture's bare ground wire around the Green Ground Screw (B). Tighten screw to clamp ground wire between ground screw head and Mounting Plate (T). **IT IS IMPERATIVE THAT THE JUNCTION BOX IN YOUR HOME BE PROPERLY GROUNDED!**
11. Connect the NEUTRAL FIXTURE WIRE to the NEUTRAL JUNCTION BOX WIRE (usually white insulation). Fasten each together with a Plastic Wire Nut Connector (A) by twisting the connector in a clockwise direction and wrap the connection with electrical tape. Be sure that no wire strands are exposed.
12. Connect the HOT FIXTURE WIRE to the HOT JUNCTION BOX WIRE (usually black insulation). Fasten each together with a Plastic Wire Nut Connector (A) by twisting the connector in a clockwise direction and wrap the connection with electrical tape. Be sure that no wire strands are exposed. **DO NOT REVERSE THE HOT AND NEUTRAL CONNECTIONS OR SAFETY WILL BE COMPROMISED.**
13. Check the wiring connections and if all looks good, gently tuck the wire connections neatly into the junction box.
14. With the help of another person to hold this light fixture, attach the Mounting Plate (T) to the outlet box using the 2 J-box Mounting Screws (C). Align the slots of the Mounting Plate (T) with the two threaded holes located on the J-Box. Use a screwdriver to tighten each screw with a screwdriver until the Mounting Plate (T) is firmly secured to the J-Box.
15. Raise the Canopy (E) up over the Mounting Plate (T) aligning the 2 holes on the side of Canopy (E) with the 2 holes from the Mounting Plate (T).
16. Insert the 2 Canopy Screws (D) and tighten with a screwdriver until secure.

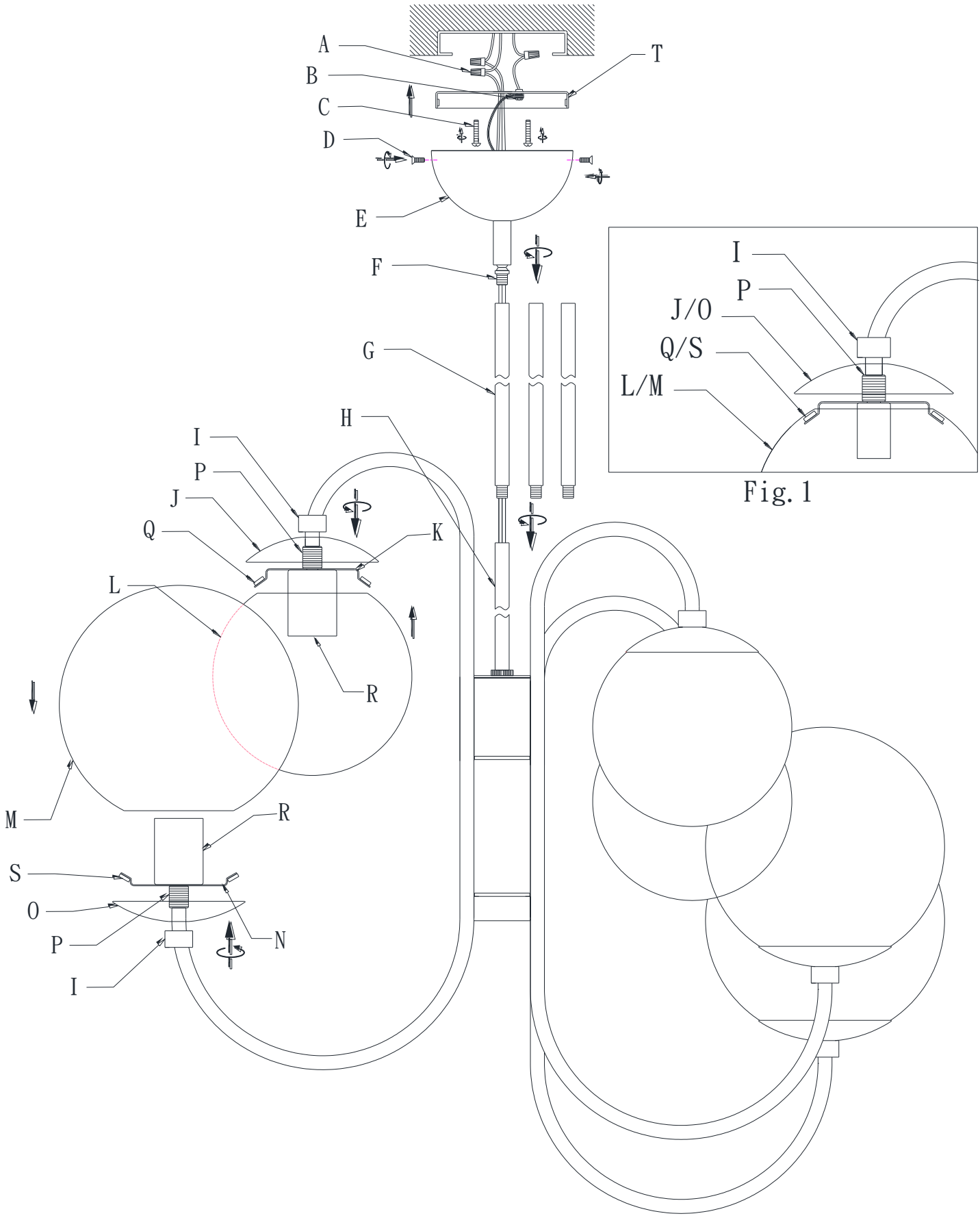
Pelle Asymmetrical Chandelier Assembly Instructions

17. Insert six (6) **40-watt maximum TYPE A standard incandescent light bulbs** (not included) or six (6) **9-watt compact fluorescent light bulbs** (not included) into the Sockets (R). **DO NOT EXCEED THE SPECIFIED WATTAGE.**
18. Unscrew the Threaded Nuts (I) by turning each counter-clockwise by hand.
19. Assemble one Small Glass Shade (L) to the Small Metal Plate (K) using the following steps outlined below.
Slide the Small Metal Cap (J) and the Threaded Nut (I) upwards along the metal arm and holding them with the help of another people.
20. **Position the Small Glass Shade (L) over the Small Metal Plate (K) by inserting the Socket (R) and Small Metal Plate (K) into the opening of the Small Glass Shade (L) in a slanted direction until the 2 Small Plastic Pads (Q) on the Small Metal Plate (K) are evenly contacted and engaged with the interior upper surface of the Small Glass Shade (L) as shown in Fig.1.**
21. **Lower the Small Metal Cap (J) downwards along the metal arm to cover the opening of the Small Glass Shade (L) until the edge of the Small Metal Cap (J) is fully contacted with the exterior upper surface of the Small Glass Shade (L). Secure the Small Glass Shade (L) by turning the Threaded Nut (I) onto the Threaded Tube (P) at the top of the Socket (R) in a clockwise direction by hand until tight. Do not over tighten.**
22. **Assemble the remaining Small Glass Shades (L) to the remaining Small Metal Plates (K) using the similar procedures as outlined in steps 18-21.**
23. Assemble one Large Glass Shade (M) to the Large Metal Plate (N) using the following steps outlined below.
Slide the Large Metal Cap (O) and the Threaded Nut (I) downwards along the metal arm until they are seated and resting on the lower position of the metal arm.
24. **Position the Large Glass Shade (M) over the Large Metal Plate (N) by inserting the Socket (R) and Large Metal Plate (N) into the opening of the Large Glass Shade (M) in a slanted direction until the 2 Large Plastic Pads (S) on the Large Metal Plate (N) are evenly contacted and engaged with the interior surface of the opening of the Large Glass Shade (M) as shown in Fig.1.**
25. **Raise the Large Metal Cap (O) upwards along the metal arm to cover the opening of the Large Glass Shade (M) until the edge of the Large Metal Cap (O) is fully contacted with the exterior surface of the opening of the Large Glass Shade (M). Secure the Large Glass Shade (M) by turning the Threaded Nut (I) onto the Threaded Tube (P) at the bottom of the Socket (R) in a clockwise direction by hand until tight. Do not over tighten.**
26. **Assemble the remaining Large Glass Shades (M) to the remaining Large Metal Plates (N) using the similar procedures as outlined in steps 23-25.**
27. Restore power to junction box and test fixture.
28. Assembly and installation is complete

Care instructions:

- Wipe clean with a soft, dry cloth or static duster.
- Always avoid the use of harsh chemicals or abrasive cleaners as they may cause damage to the fixture's finish.

Pelle Asymmetrical Chandelier Assembly Instructions



Thank you for your purchase
 Stores | catalog | www.westelm.com
 USA 888-922-4119