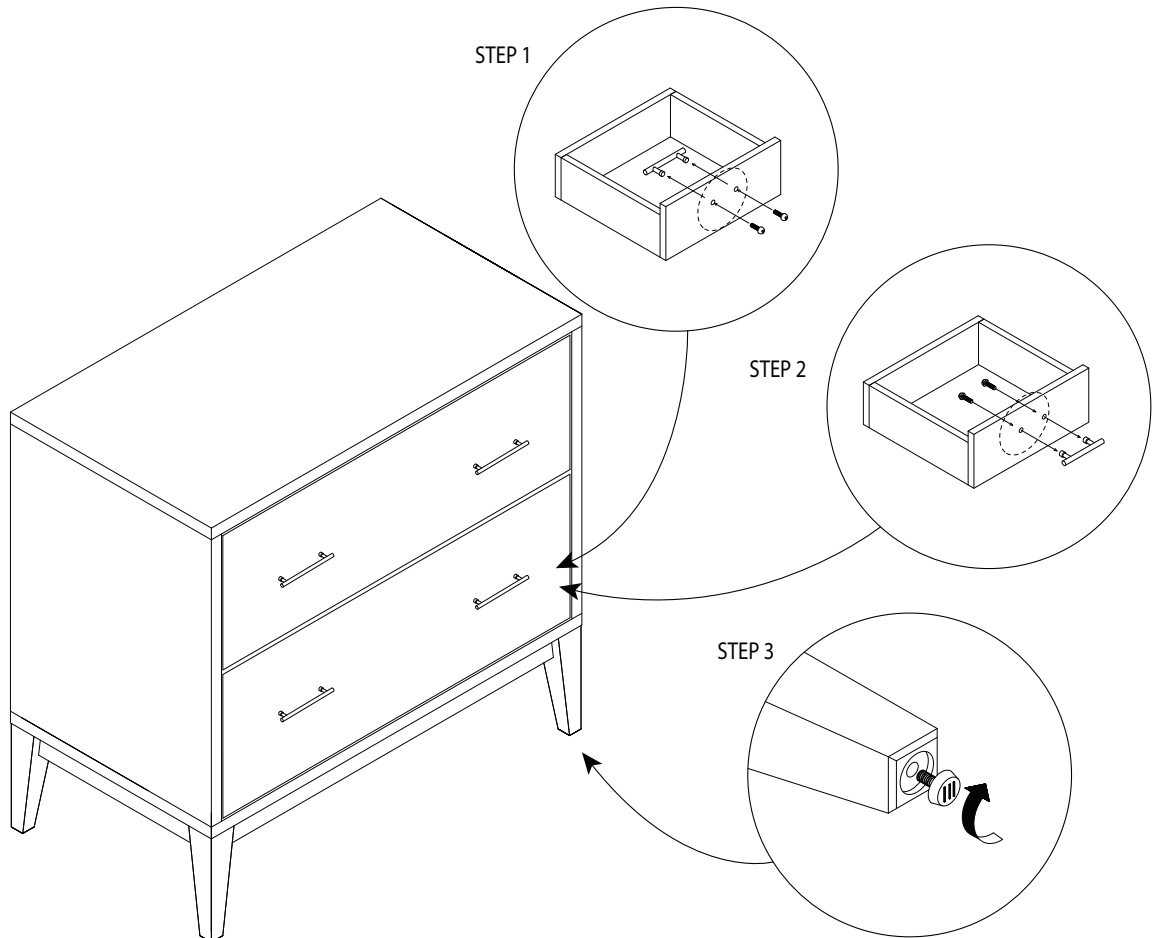


! Tools required: 

1. Pull out drawer and unscrew hardware using a phillips screwdriver.
2. Position hardware on the outside of the drawer and re-attach. Tighten screws using a phillips screwdriver.
3. Adjust levelers as needed to prevent tipping.



CARE INSTRUCTIONS

Hardware may loosen over time. Periodically check that all connections are tight.  
Wipe with a soft, dry cloth. To protect finish, avoid the use of chemicals and household cleaners.