
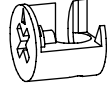
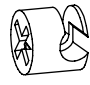


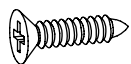
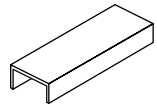

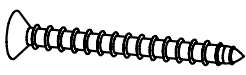
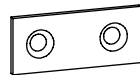
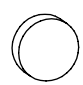


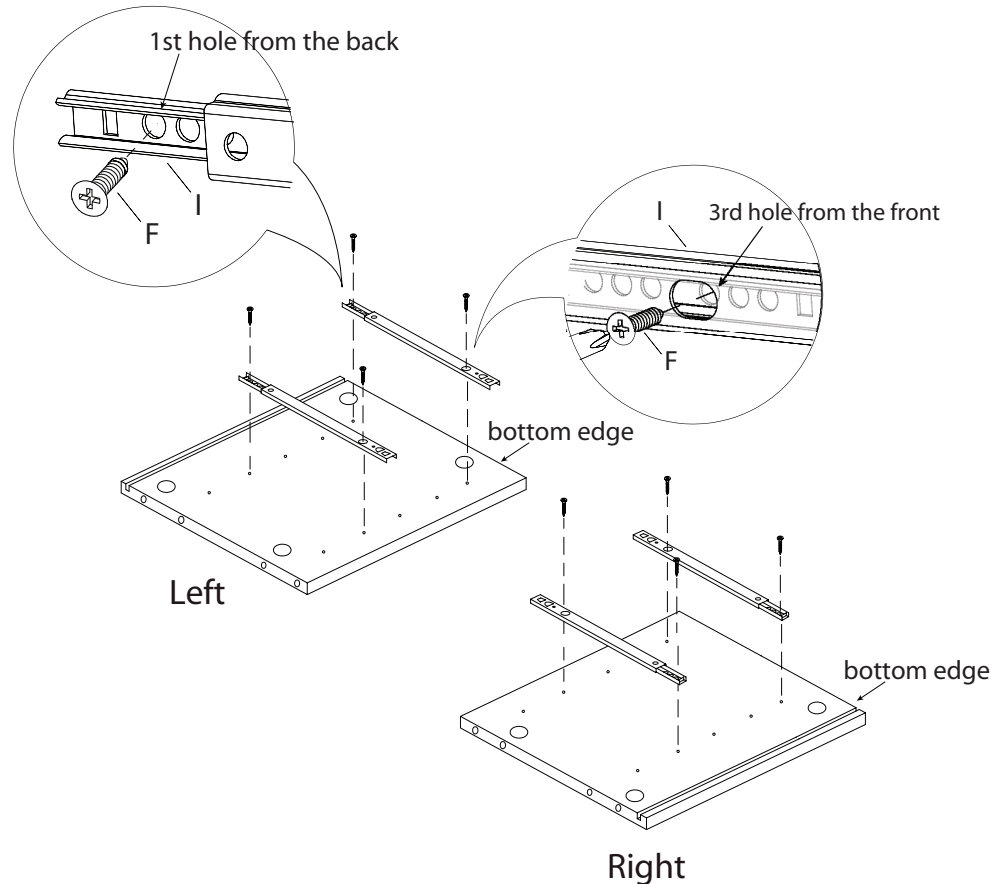
! Tools required:

! Do not throw away packaging materials until assembly is complete.

! Assemble this item on a soft surface, such as cardboard or carpet, to protect finish.

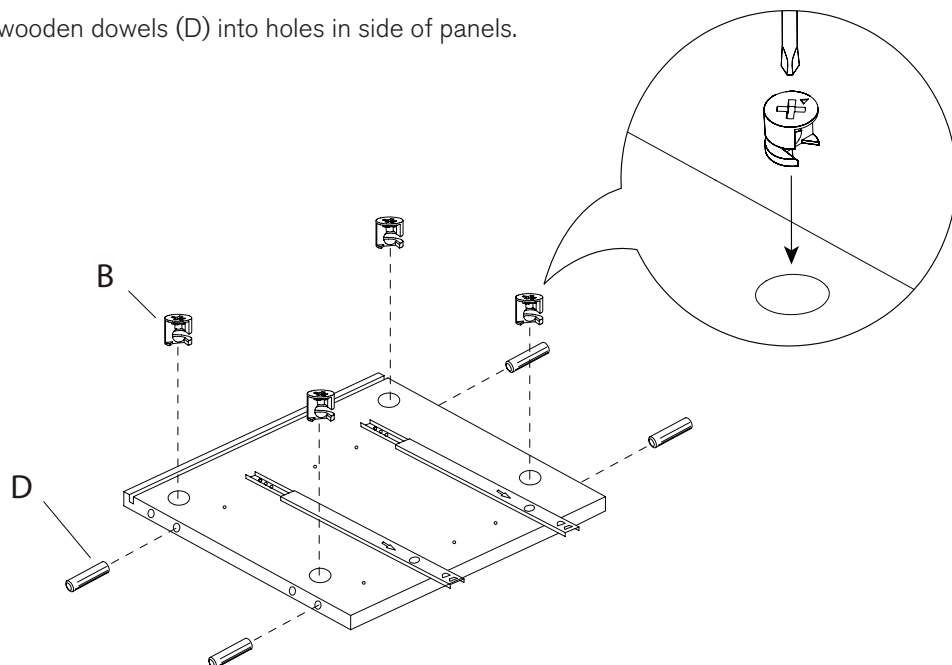
<p>A</p>  <p>cam screw 12x</p>	<p>B</p>  <p>large cam lock 8x</p>
<p>C</p>  <p>small cam lock 4x</p>	<p>D</p>  <p>wooden dowel 8x</p>
<p>E</p>  <p>small dome screw 4x</p>	<p>F</p>  <p>small screw 10x</p>
<p>G</p>  <p>drawer handle with screws 2x</p>	<p>I</p>  <p>drawer glide 4x</p>
<p>J</p>  <p>large screw 4x</p>	<p>K</p>  <p>mounting plate 1x</p>
<p>M</p>  <p>felt pad 6x</p>	

1. Fasten drawer glides (I) to side panels using small screws (F). Tighten screws with phillips screwdriver. Be sure to insert screws through the correct holes as shown. Bottom glides are attached using the lowest set of holes on the side panel. Top glides use the second set of holes from the top edge.

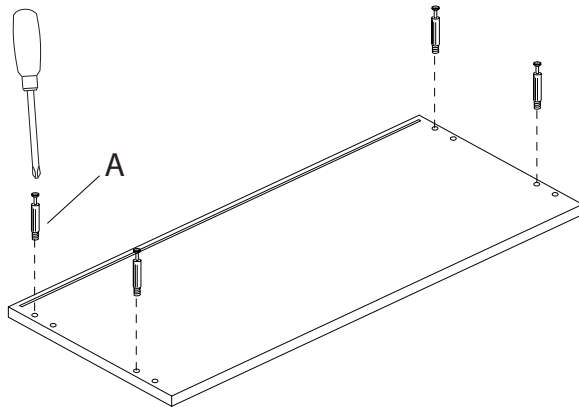


2. Insert large cam locks (B) into holes of side panels. Turn cam locks with a phillips screwdriver so that the arrow on top is pointing out.

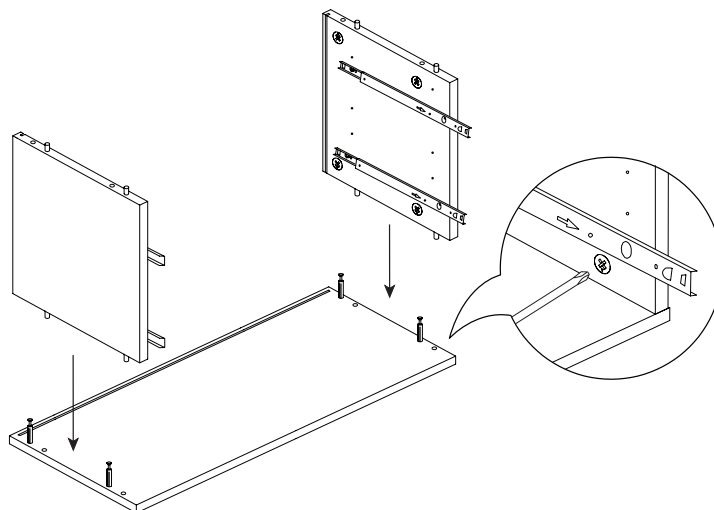
3. With a hammer gently tap wooden dowels (D) into holes in side of panels.



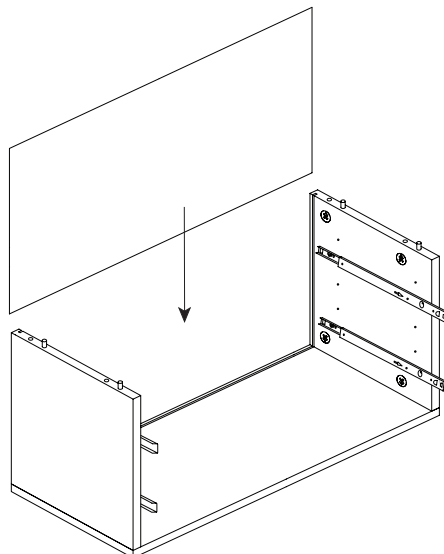
3. Insert cam screws (A) into top and bottom panels as shown and tighten with phillips screwdriver.



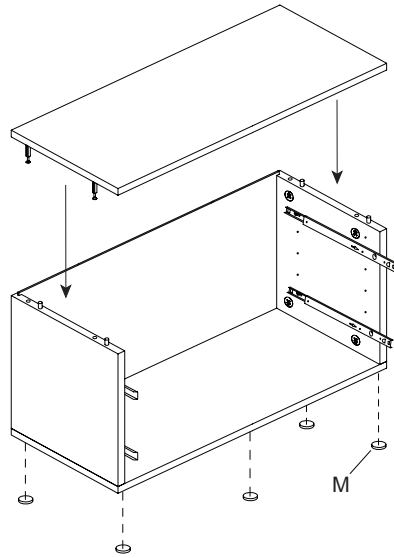
4. Fasten side panels to bottom panel. The bottom panel is indicated with a "Made in Denmark" sticker. Fit cam screws into cam locks and tighten using a phillips screwdriver.



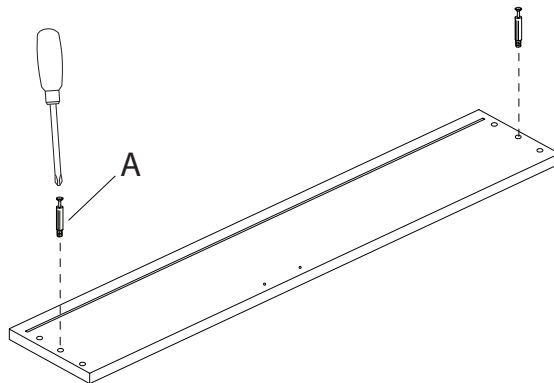
5. Slide back panel into groove. Make sure panel slides all the way into the bottom panel groove.



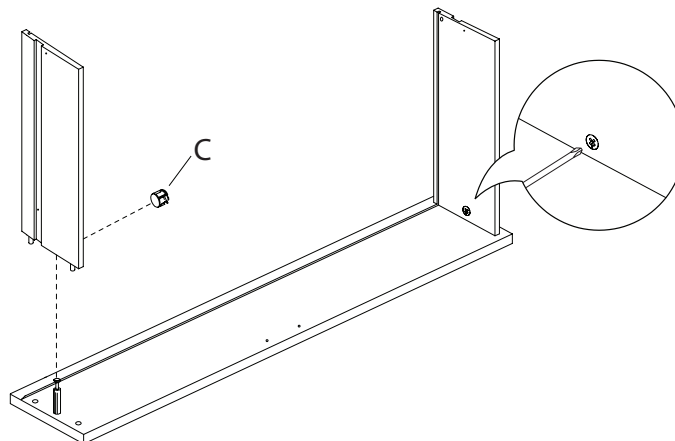
6. Fasten top panel to side panels. Fit cam screws into cam locks and tighten using phillips screwdriver.
7. Attach felt pads (M) to base



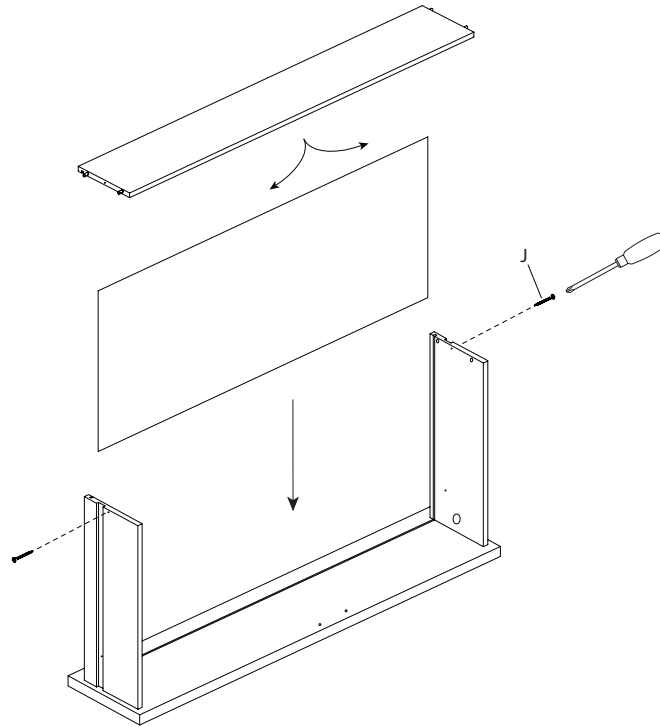
8. Insert cam screws (A) into drawer front panels as shown and tighten with phillips screwdriver.



9. Fasten drawer side panels to drawer front panels. Insert small cam locks (C) into side panels. Fit cam screws into cam locks and tighten using phillips screwdriver.

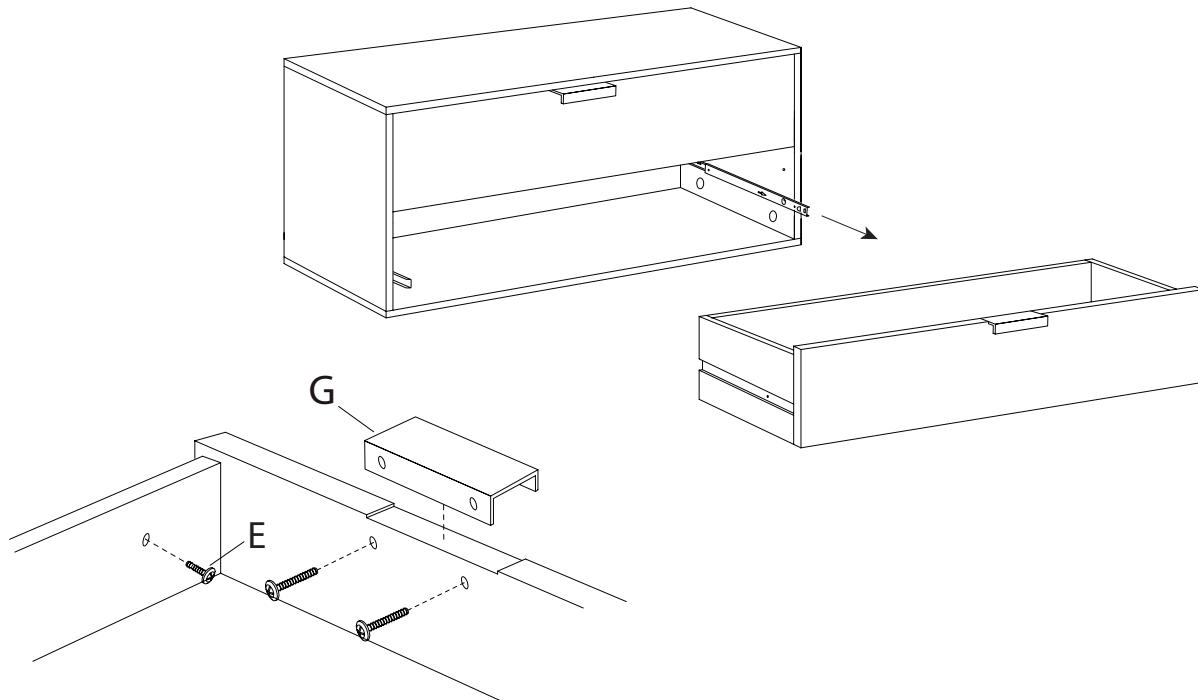


10. Slide drawer bottom panel into grooves as shown. Gently insert back panel into sides and secure using large screws (J). Tighten screws with a phillips screwdriver.

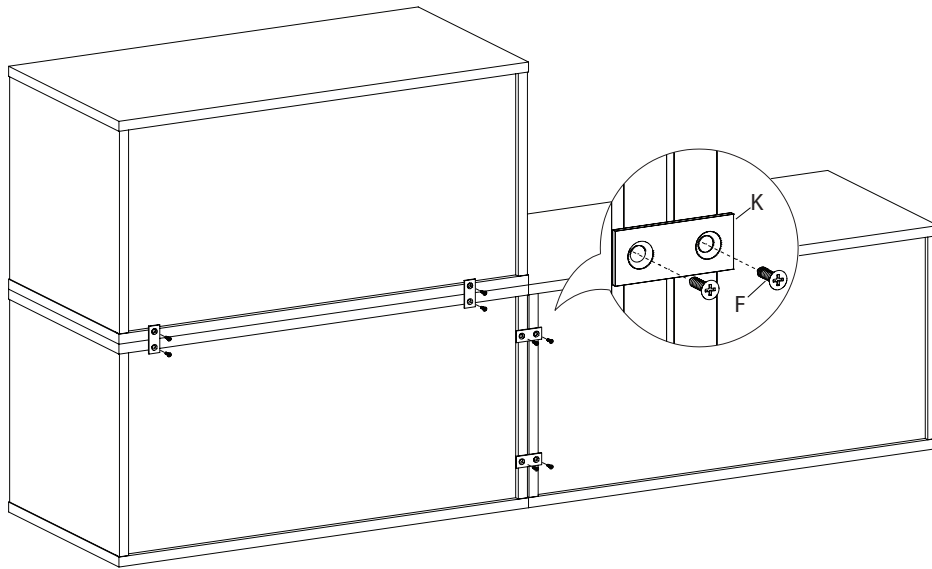


11. Pull out drawer glides and fit drawers into drawer glides. Fasten drawer to glides from inside the drawer using small dome screws (E).

12. Fasten handle (G) to drawer using the 2 screws supplied with each handle.



13. Multiple units can be attached together as shown using small screws (F) and mounting plates (K). If stacking units use felt pads (M) between units to minimize scratching.



CARE INSTRUCTIONS

Hardware may loosen over time. Periodically check that all connections are tight.

Wipe with a soft, dry cloth. To protect finish, avoid the use of chemicals and household cleaners.