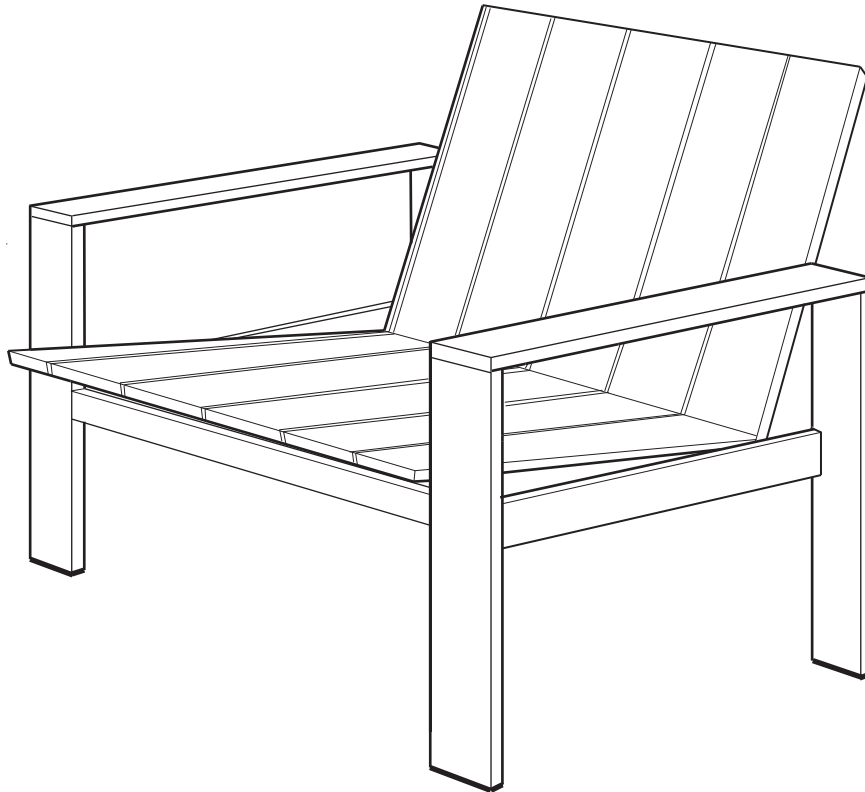


# west elm : wood slat arm chair

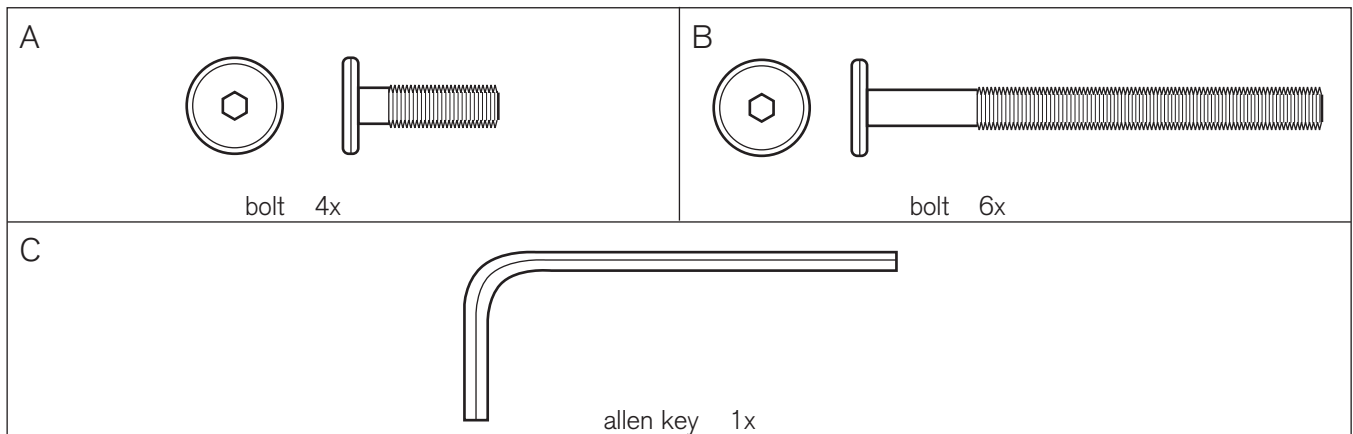
assembly instructions



! Do not throw away packaging materials until assembly is complete.

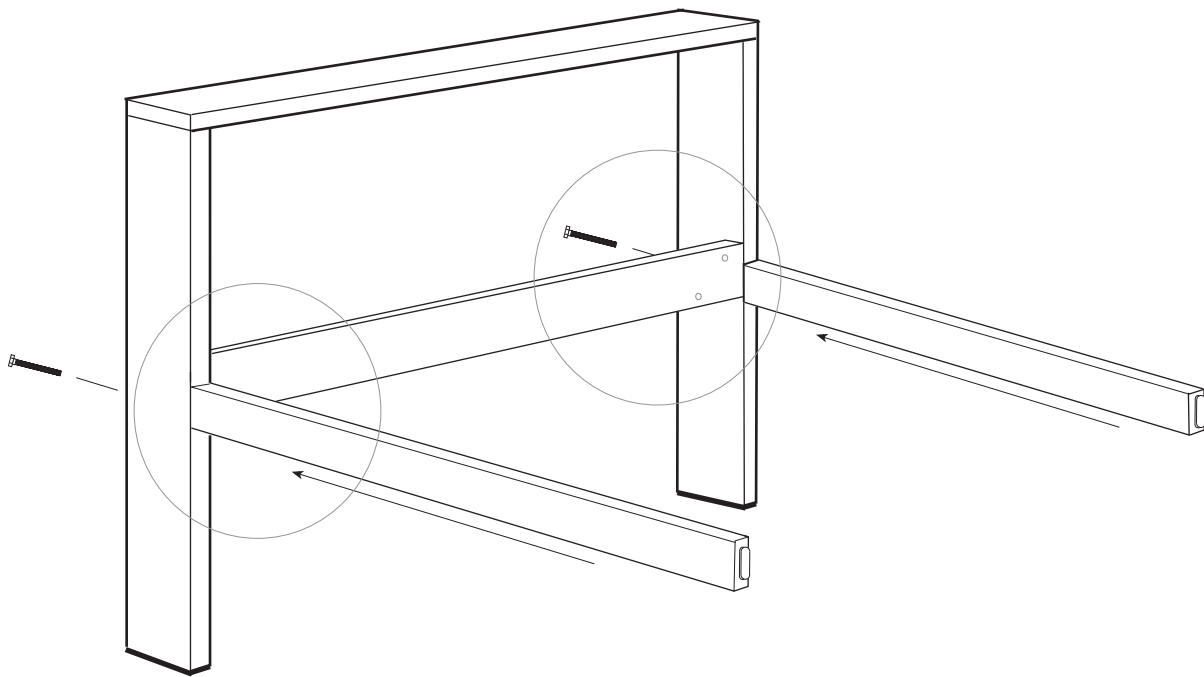
! Assemble this item on a soft surface, such as cardboard or carpet, to protect the finish.

! Proper assembly of this item requires 2 people.

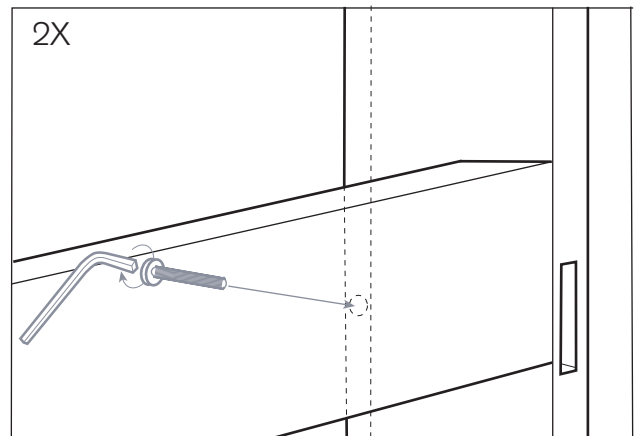
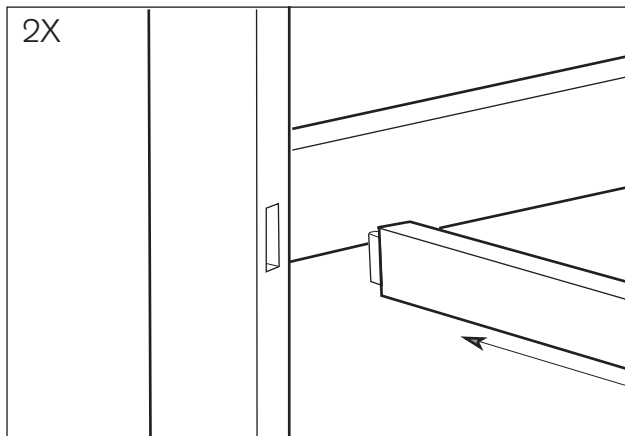


# west elm : wood slat arm chair

assembly instructions

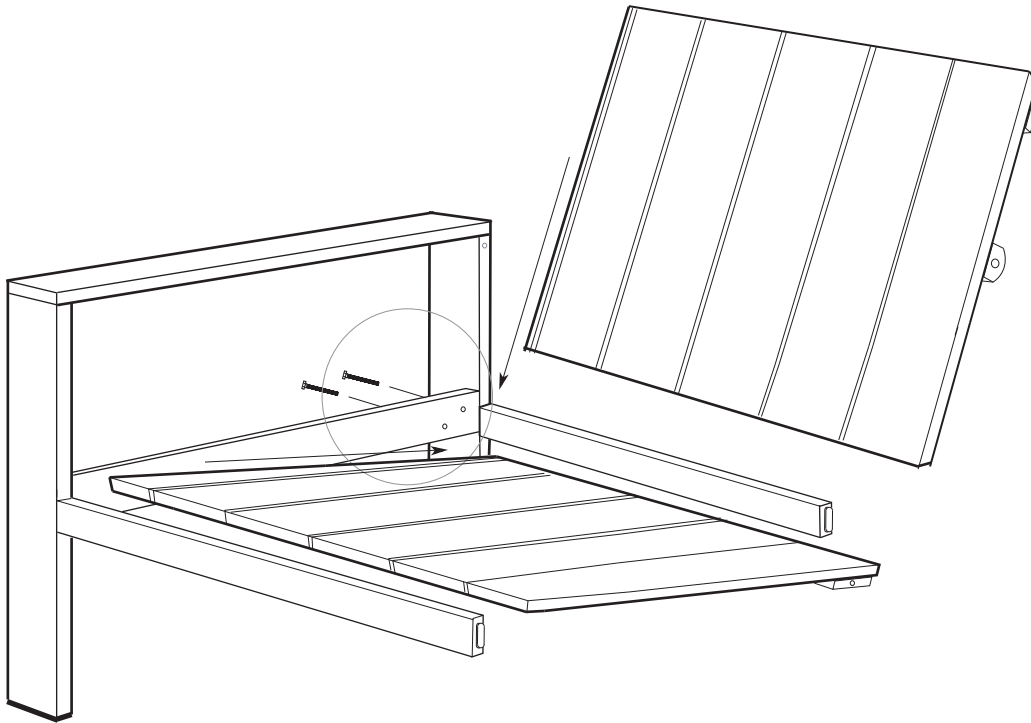


1. Insert the connectors on the side rails into the leg rails.
2. Secure with bolts ( B ) and tighten with allen key ( C ).

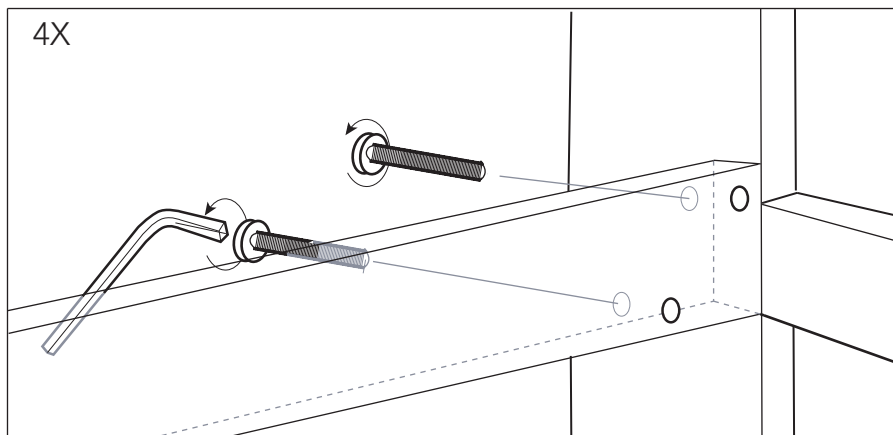


# west elm : wood slat arm chair

assembly instructions

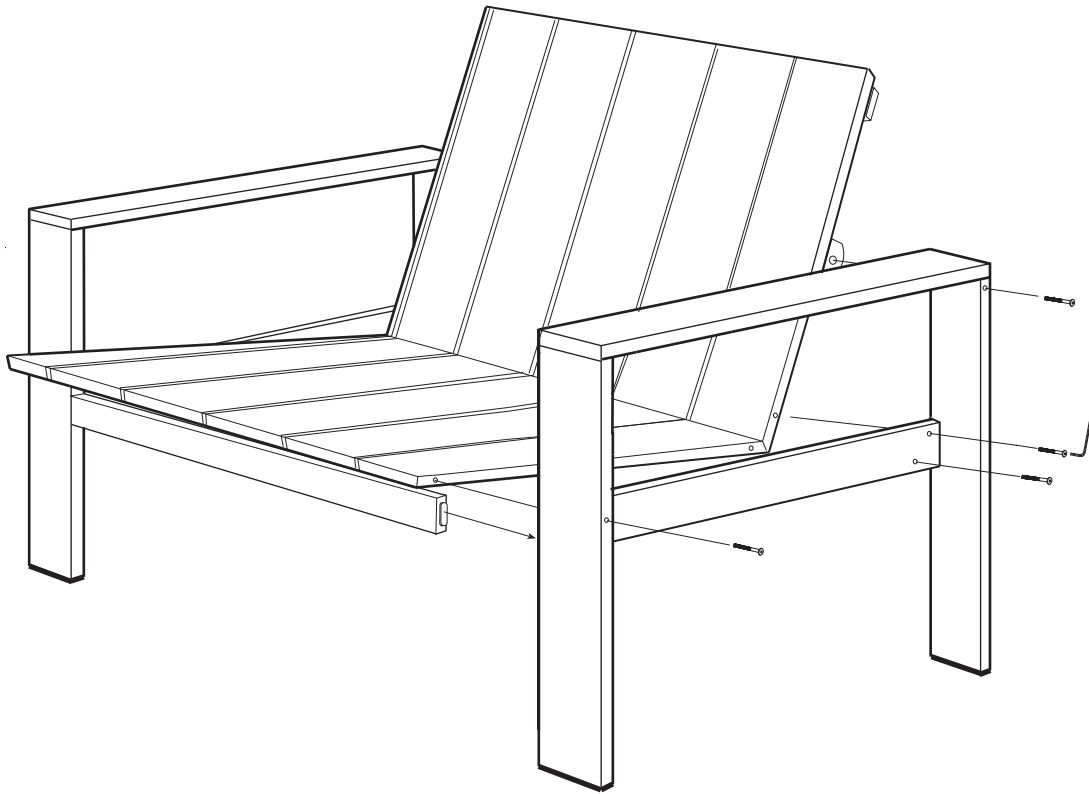


3. Insert the seat & back panels into the leg rails.
  4. Secure with bolts (A) and tighten with allen key (C).
- ! Proper assembly of this item requires 2 people.



# west elm : wood slat arm chair

assembly instructions



5. Insert the seat & back panel into the other leg rail.

4. Secure with bolts (A) and tighten with allen key.

! Proper assembly of this item requires 2 people.

