

### CAUTION:

- **BEFORE INSTALLING FIXTURE, MAKE SURE THE POWER TO THE CIRCUIT IS TURNED OFF AT THE MAIN FUSE BOX / CIRCUIT BREAKER UTILITY BOX.**

### Important Safety Instructions:

- These instructions are provided for your safety. It is very important that they are read carefully and completely before beginning the assembly and installation of this lighting fixture.
- We strongly recommend that a professional electrician install all direct wire fixtures.
- THIS PRODUCT MUST BE INSTALLED IN ACCORDANCE WITH THE APPLICABLE INSTALLATION CODES BY A PERSON FAMILIAR WITH THE CONSTRUCTION AND OPERATION OF THE PRODUCT AND THE HAZARDS INVOLVED.
- The lighting fixture is meant for indoor use. It must be connected only to 3-wire, single-phase electrical supply systems (provided with Ground wire or equivalent protection system).
- For your safety, it is strongly recommended that two people install the lighting fixture.
- This fixture has been rated for up to six (6) **60-watt maximum TYPE B standard incandescent light bulbs** (not included) or six (6) **13-watt compact fluorescent light bulbs** (not included) or six (6) **12-watt maximum SBLED light bulbs** (not included). To avoid the risk of fire, do not exceed the recommended wattage.
- The lighting fixture is meant for indoor use, DRY LOCATIONS ONLY.
- **Save these instructions.**

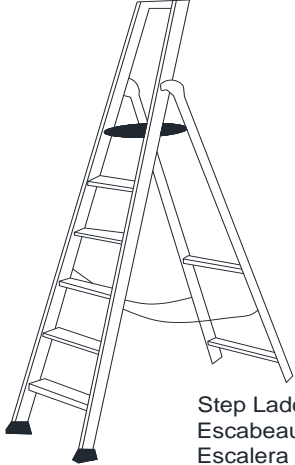
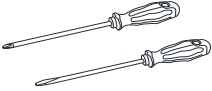
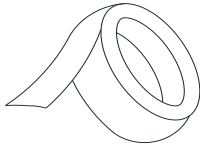
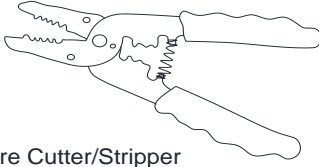
### WARNING:

- **To reduce the risk of fire, electrical shock or personal injury, always turn off light fixture and allow it to cool prior to replacing light bulb.**
- **Do not touch bulb when fixture is turned on. Do not look directly at lit bulb.**
- **Keep flammable materials away from lit bulb.**

### Pre-assembly:

- Remove all parts and hardware from box along with any plastic protective packaging.
- Do not discard any contents until after assembly is complete to avoid accidentally discarding small parts or hardware.
- For your safety and convenience, assembly by two people is recommended.

**TOOLS REQUIRED (not included):**



 <p>Step Ladder Escabeau Escalera</p>	 <p>Phillips head, Flat Blade Screwdrivers Tournevis "ϕ" Phillips et "ϕ" plate Destornilladores Cabeza Philleps y Destornilladores Cabeza Plana</p>	 <p>Electrical tape Ruban is olant Cinta Electrica</p>
	 <p>Wire Cutter/Stripper Pince coupe-fil/ "ϕ" de nudé Cortador de Cable</p>	

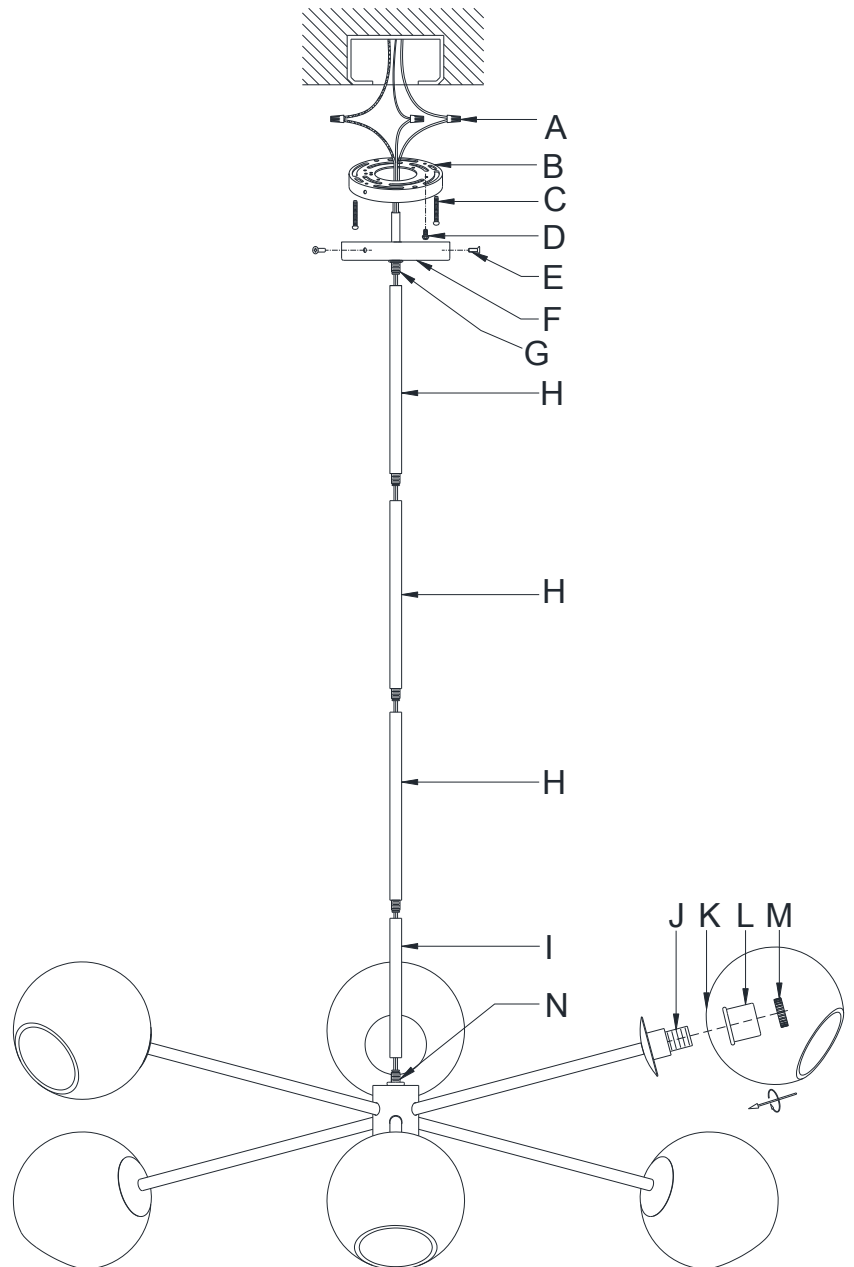
**Parts Included:**

- (B) Mounting Plate (1)
- (D) Green Ground Screw (1)
- (E) Canopy Screws (3)
- (F) Canopy (1)
- (G) Upper Threaded Pipe (1)
- (H) Long Tubes (3)
- (I) Short Tube (1)
- (J) Sockets (6)
- (K) Glass Shades (6)
- (L) Spacers (6)
- (M) Socket Rings (6)
- (N) Bottom Threaded Pipe (1)

**Hardware Enclosed:**

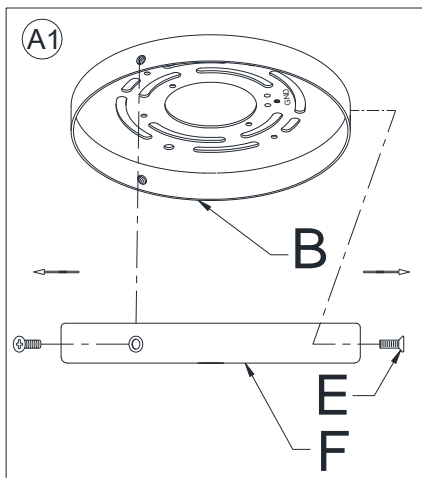
- (A) Plastic Wire Nut Connectors (3)
- (C) Mounting Screws (2)

<p>A</p>  <p>3x</p>	<p>C</p>  <p>2x</p>
--	--

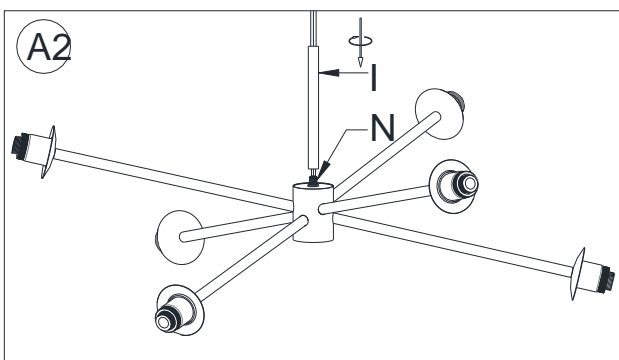


## To Adjust the Suspension Length of the Fixture:

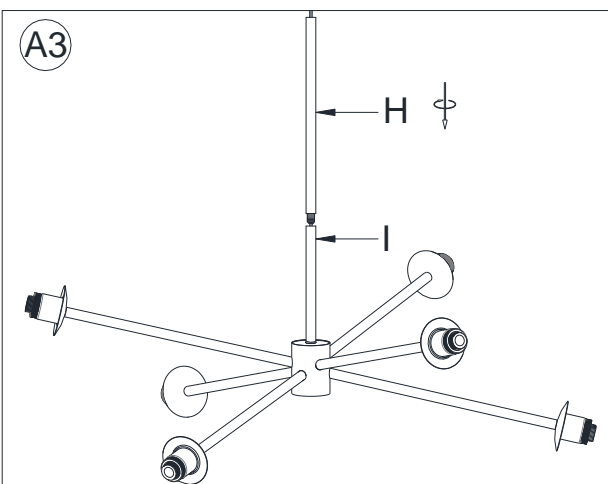
- Note: The adjustment or shortening of the lighting fixture's suspension length is only needed if the factory set length is not appropriate for your installation. We recommend that you adjust the proper desired length before cutting the electrical cord. Determine the lighting fixture suspension length from the ceiling for the product installation, allowing the extra cord length for the outlet junction box wire connections as noted below.



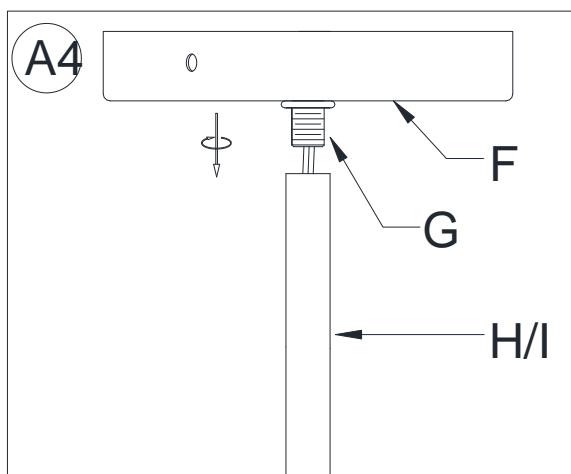
1. Separate the Mounting Plate (B) from the Canopy (F) by removing the 3 Canopy Screws (E). Do not discard the Canopy Screws (E) as these will be used later.



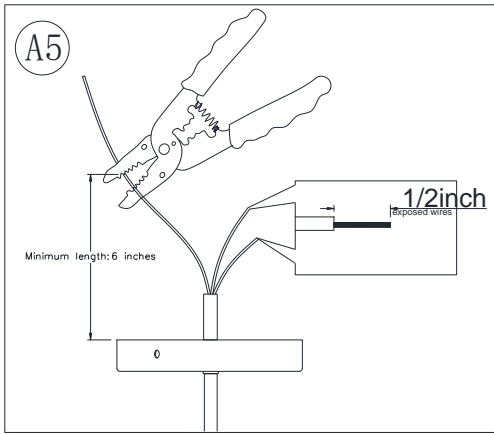
2. Insert the fixture 2 wire power cord and bare copper ground wire through the Short Tube (I), and attach bottom end of the Short Tube (I) onto the Bottom Threaded Pipe (N) by turning clockwise until tight.



3. Take out 3 Long Tubes (H) from poly bag. If you would like use only one Long Tube (H), Then thread the 2 wire power cord and bare copper ground wire through the one of provided Long Tubes (H), Attach the Long Tube (H) onto the top of Short Tube (I) and rotate Long Tube (H) clockwise until tight. Use the additional Long Tubes (H) as needed to adjust the fixture's suspension length by following the similar procedure as above.



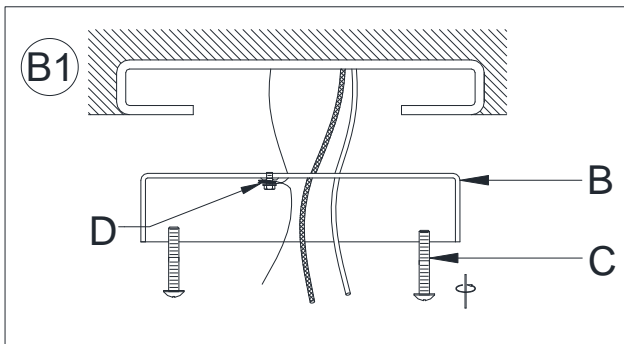
4. Insert the fixture 2 wire power cord and bare copper ground wire through the Upper Threaded Pipe (G) to the Canopy (F). Then attach the Upper Threaded Pipe (G) onto the assembled Metal Tubes (H/I) by rotating the 2 parts in each clockwise direction until tight.



- If needed, cut off the extra power cord length on the 3 wire cords so that they all are at least 6 inches (152.4 mm) long within the outlet junction box (J-box).

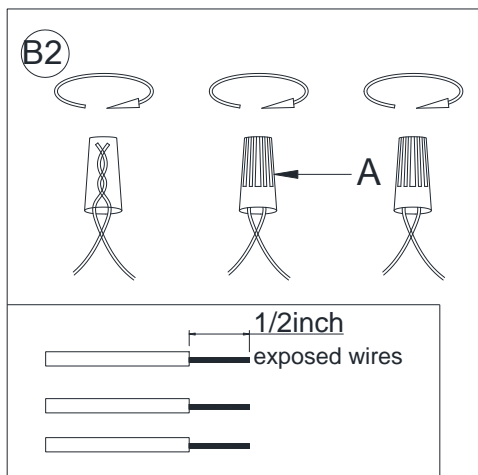
## Assembly & Installation Instructions:

- **SHUT OFF THE MAIN ELECTRICAL SUPPLY FROM THE MAIN FUSE BOX/CIRCUIT BREAKER!**
- Carefully unpack all fixture parts and hardware and lay them on a clear workspace.

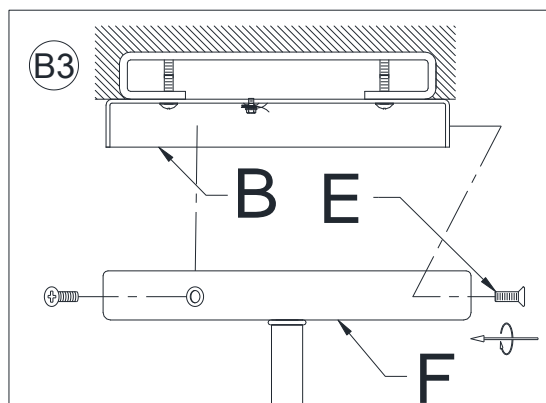


First separate the Mounting Plate (B) from the Canopy (E) refer to step-A1 on the page 3.

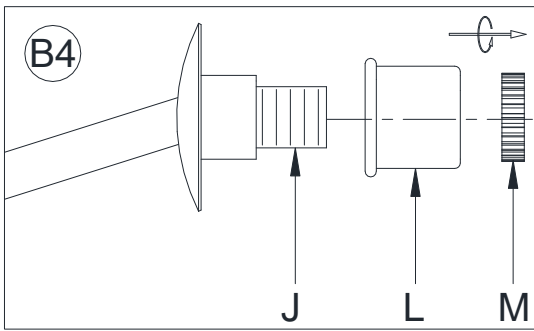
- Gently pull existing wires down from the ceiling junction box and allow wires passing through the center opening of Mounting Plate (B). Attach Mounting Plate (B) to the ceiling outlet box, aligning the slots of the Mounting Plate (B) with the two threaded holes located on the J-Box. Insert and tighten 2 Mounting Screws (C) with a screwdriver.



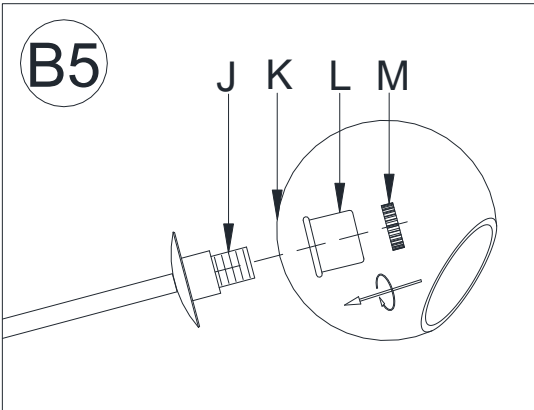
- Please read the section **“To Make the Wire Connections”** Below.



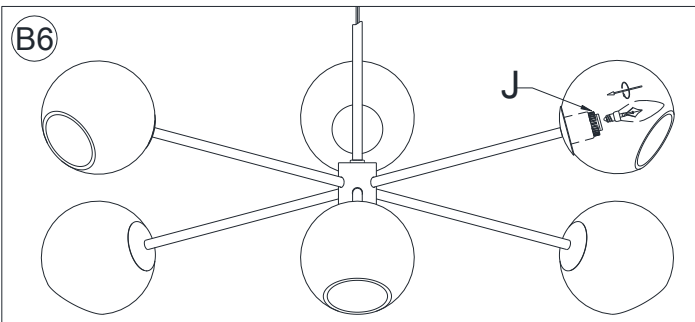
- With the help of another person to hold the weight of the light fixture, position the Canopy (F) over the Mounting Plate (B), aligning the 3 holes on the Canopy (F) with the 3 holes from the Mounting Plate (B). Insert the 3 Canopy Screws (E) and tighten to secure the Canopy (F) in place.



4. Unscrew the Socket Rings (M) and Spacers (L) from the Sockets (J).



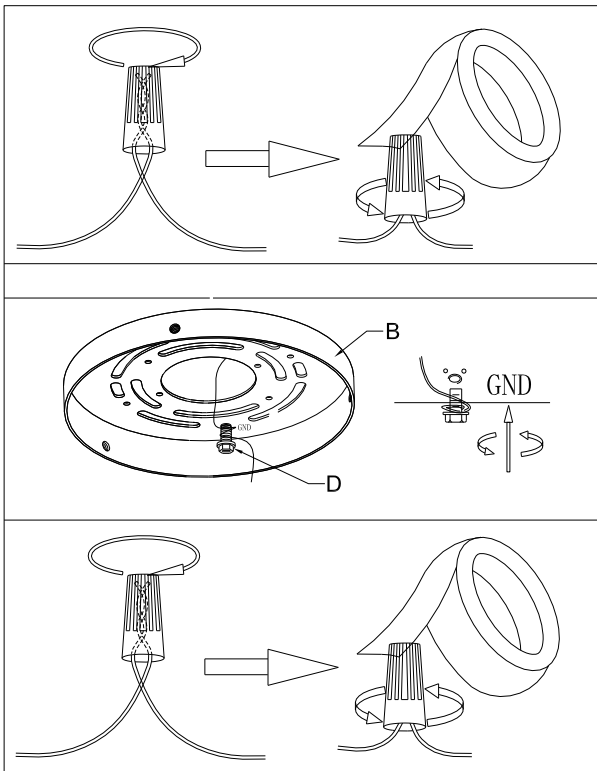
5. Put the Glass Shades (K) and Spacers (L) onto the Sockets (J), secure Glass Shades (K) and Spacers (L) by rotating the Socket Rings (M) in a clockwise direction until tight.



6. Insert the specified light bulbs into the Sockets (J).  
**DO NOT EXCEED THE SPECIFIED WATTAGE.**

## To Make the Wire Connections:

1. Gently pull existing wire down from the ceiling junction box and allow wires to hang. The HOT or LIVE wire is usually black. The NEUTRAL wire is usually white. Check to see if there is a ground wire that is usually green or green with a yellow stripe or exposed copper metal wire. If need, use a pair of wire strippers to remove about 1/2 inch of insulation from each wire.
2. Carefully inspect the fixture wires. The NEUTRAL FIXTURE WIRE is White. The HOT FIXTURE WIRE is Black. And the GROUND WIRE is BARE COPPER WIRE. If you have any doubt and cannot identify the power-supply wires with confidence, then we recommend that you ask an electrician and that you not continue with the installation.
3. With the help of another person to hold the weight of the fixture, attach the fixture wires to the junction box wires as shown in the illustrations.



Connect the GROUND FIXTURE WIRE to the GROUND J-BOX WIRE using the Plastic Wire Nut Connector (A) and wrap the connection with electrical tape. Be sure that no wire strands are exposed.

If the junction box DOES NOT have a GROUND WIRE, wrap the fixture's bare ground wire around the Green Ground Screw (D) and insert the screw into the Mounting Plate (B), marked as "GND", and tighten screw to secure the wire.

Connect the NEUTRAL FIXTURE WIRE to the NEUTRAL J-BOX WIRE first and then connect the HOT FIXTURE WIRE to the HOT J-BOX WIRE using the Plastic Wire Nut Connectors (A). Wrap these connections with electrical tape. Be sure that no wire strands are exposed.

### NOTE:

**IT IS IMPERATIVE THAT THE JUNCTION BOX IN YOUR HOME BE PROPERLY GROUNDED!  
DO NOT REVERSE THE HOT AND NEUTRAL CONNECTIONS OR SAFETY WILL BE COMPROMISED.**

4. Check the wiring connections and if all looks good, gently tuck the wire connections neatly into the ceiling junction box.

### Care Instructions:

- Wipe clean with a soft, dry cloth or static duster.
- Always avoid the use of harsh chemicals or abrasive cleaners as they may cause damage to the fixture's finishing.

Thank you for your purchase  
Stores | catalog | [www.westelm.com](http://www.westelm.com)  
USA 888-922-4119